

BEFORE THE
UNITED STATES NUCLEAR REGULATORY COMMISSION

In the Matter of :
PENNSYLVANIA POWER & : Docket No. 50-387
LIGHT COMPANY :

PROPOSED AMENDMENT NO. 70
FACILITY OPERATING LICENSE NO. NPF-14
SUSQUEHANNA STEAM ELECTRIC STATION
UNIT NO. 1

Licensee, Pennsylvania Power & Light Company, hereby files proposed Amendment No. 70 to its Facility Operating License No. NPF-14 dated July 17, 1982.

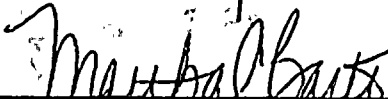
This amendment contains a revision to the Susquehanna SES Unit 1 Technical Specifications.

PENNSYLVANIA POWER & LIGHT COMPANY
BY:



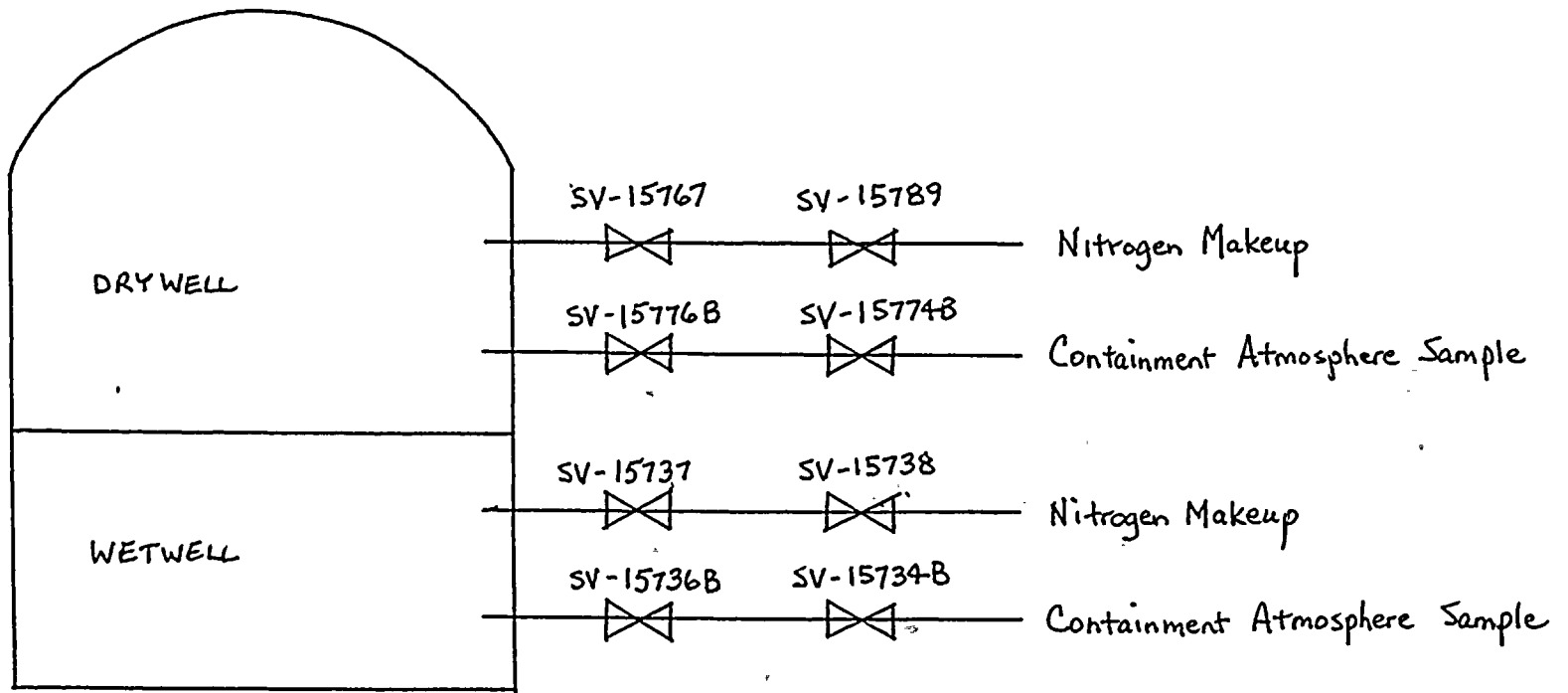
N. W. Curtis
Vice President - Engineering &
Construction - Nuclear

Sworn to and subscribed before me
this 6th of August, 1985.

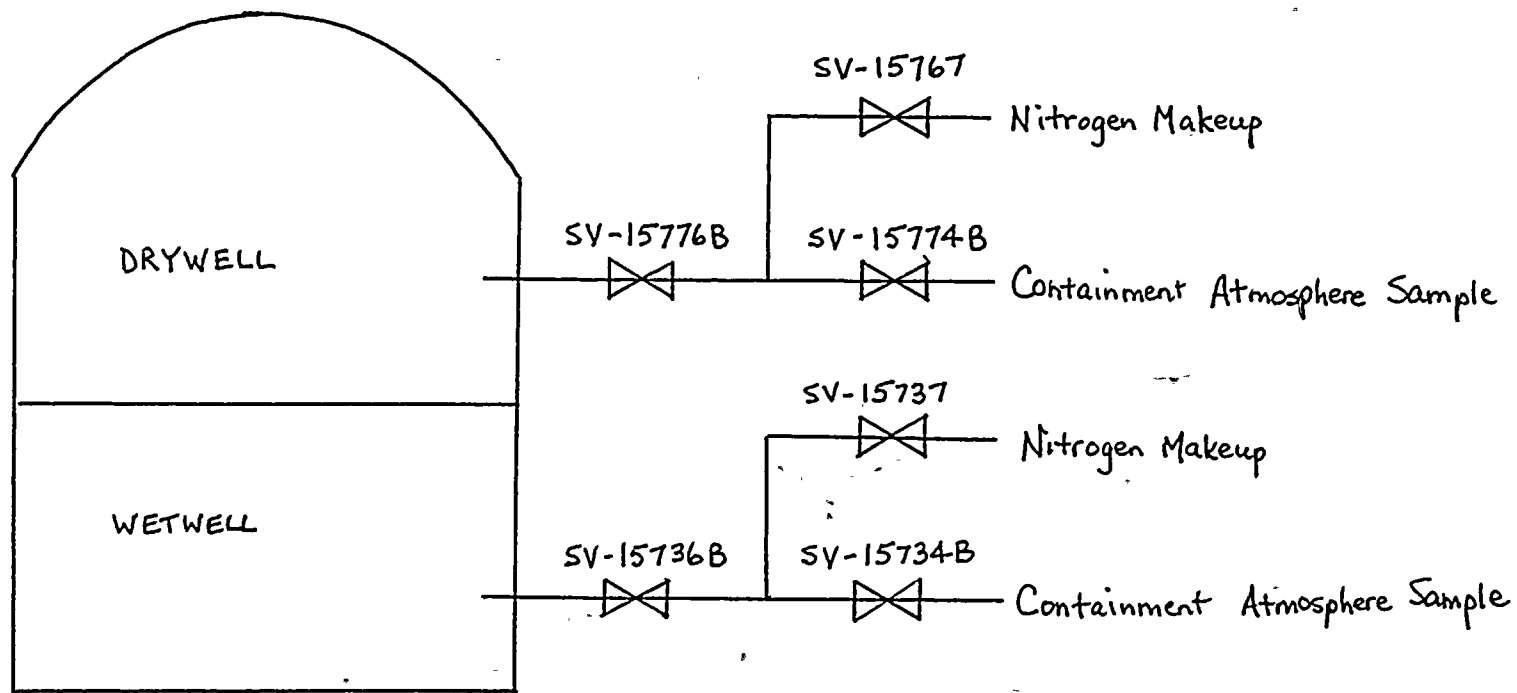


Notary Public
MARTHA C. BARTO, Notary Public
Allentown, Lehigh County, Pa.
My Commission Expires Jan. 13, 1986

8508120437 850806
PDR ADOCK 05000387
P PDR



REVISED CONFIGURATION



EXISTING CONFIGURATION

