

BEFORE THE
UNITED STATES NUCLEAR REGULATORY COMMISSION

In the Matter of :
PENNSYLVANIA POWER & : Docket No. 50-387
LIGHT COMPANY :

PROPOSED AMENDMENT NO. 61
FACILITY OPERATING LICENSE NO. NPF-14
SUSQUEHANNA STEAM ELECTRIC STATION
UNIT NO. 1

Licensee, Pennsylvania Power & Light Company, hereby files proposed Amendment No. 61 to its Facility Operating License No. NPF-14 dated July 17, 1982.

This amendment contains a revision to the Susquehanna SES Unit 1 Technical Specifications.

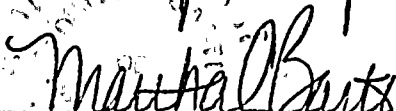
PENNSYLVANIA POWER & LIGHT COMPANY
BY:



N. W. Curtis

Vice President - Engineering &
Construction - Nuclear

Sworn to and subscribed before me
this 31st of January, 1985.



Notary Public
MARTHA C. BARTO, Notary Public
Allentown, Lehigh County, Pa.
My Commission Expires Jan. 13, 1986

8502070263 850131
PDR ADDCK 05000387
P PDR



RECEIVED
 U.S. DEPARTMENT OF JUSTICE
 FEDERAL BUREAU OF INVESTIGATION
 NOV 11 1954
 WASHINGTON, D. C.

BEFORE THE
UNITED STATES NUCLEAR REGULATORY COMMISSION


In the Matter of :
PENNSYLVANIA POWER & : Docket No. 50-388
LIGHT COMPANY :

PROPOSED AMENDMENT NO. 15
FACILITY OPERATING LICENSE NO. NPF-22
SUSQUEHANNA STEAM ELECTRIC STATION
UNIT NO. 2

Licensee, Pennsylvania Power & Light Company, hereby files proposed Amendment No. 15 to its Facility Operating License No. NPF-22 dated March 23, 1984.

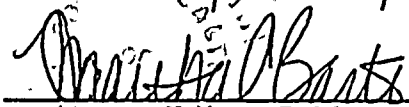
This amendment contains a revision to the Susquehanna SES Unit 2 Technical Specifications.

PENNSYLVANIA POWER & LIGHT COMPANY
BY:

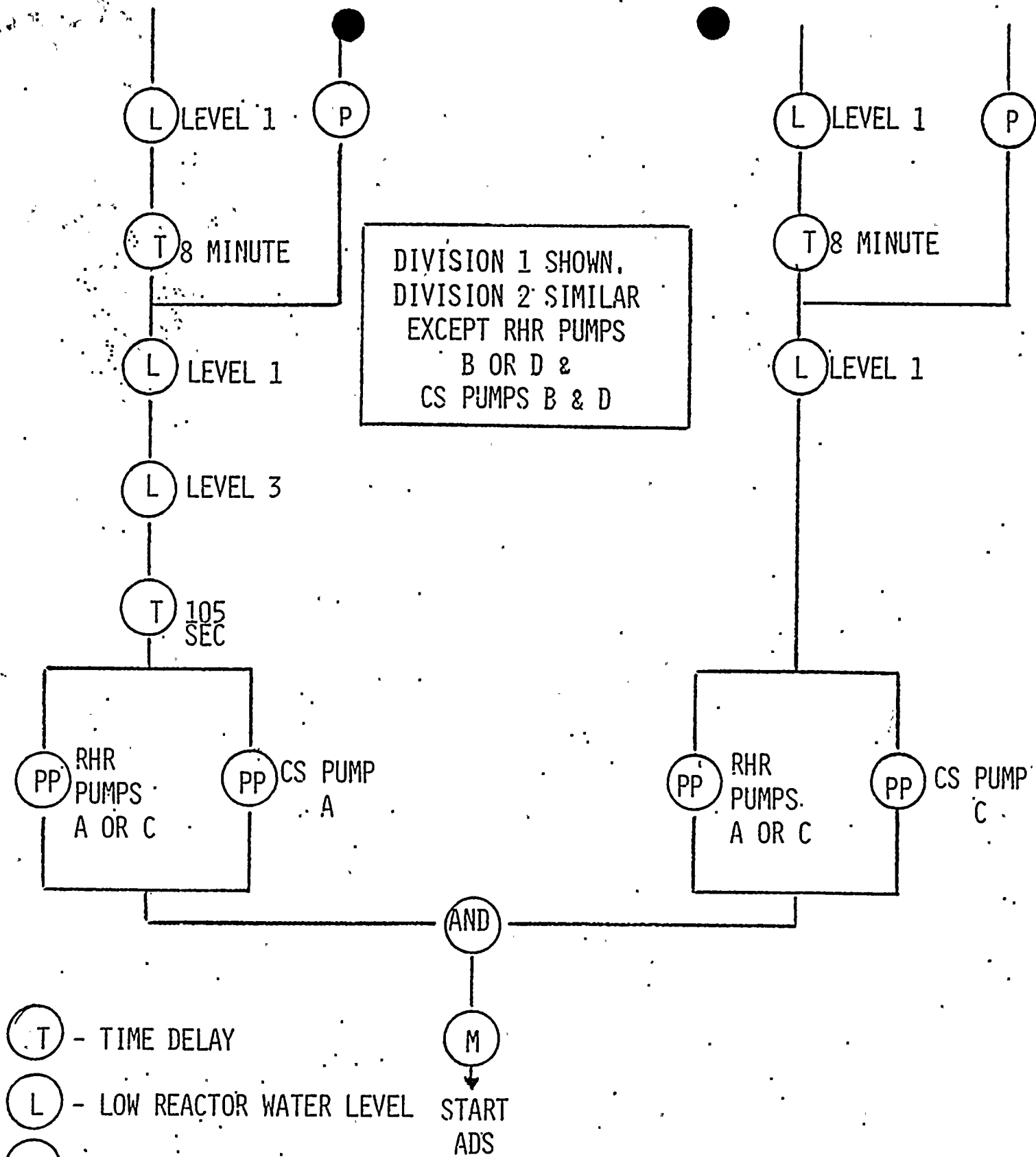


N. W. Curtis
Vice President - Engineering &
Construction - Nuclear

Sworn to and subscribed before me
this 31st of January, 1985.



Notary Public
MARTHA C. BARTO, Notary Public
Allentown, Lehigh County, Pa.
My Commission Expires Jan. 13, 1986



- (T) - TIME DELAY
 - (L) - LOW REACTOR WATER LEVEL
 - (P) - HIGH DRYWELL PRESSURE
 - (RPP) - REACTOR PRESSURE PERMISSIVE
 - (PP) - PUMP PRESSURE PERMISSIVE
 - (M) - MANUAL INHIBIT
- AND
- M
↓
START
ADS

Rev. 35, 07/84

**SUSQUEHANNA STEAM ELECTRIC STATION
UNITS 1 AND 2
FINAL SAFETY ANALYSIS REPORT**

UNIT 2 ADS
INITIATION LOGIC

FIGURE 7.3-5 Sheet 3