

BEFORE THE
UNITED STATES NUCLEAR REGULATORY COMMISSION


In the Matter of :
PENNSYLVANIA POWER & : Docket No. 50-387
LIGHT COMPANY :

PROPOSED AMENDMENT NO. 52
FACILITY OPERATING LICENSE NO. NPF-14
SUSQUEHANNA STEAM ELECTRIC STATION
UNIT NO. 1

Licensee, Pennsylvania Power & Light Company, hereby files proposed Amendment No. 52 to its Facility Operating License No. NPF-14 dated July 17, 1982.

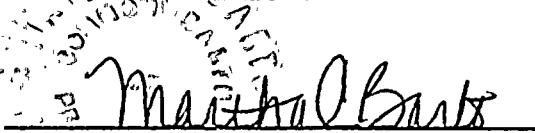
This amendment contains a revision to the Susquehanna SES Unit 1 Technical Specifications.

PENNSYLVANIA POWER & LIGHT COMPANY
BY:



N. W. Curtis
Vice President - Engineering &
Construction - Nuclear

Sworn to and subscribed before me
this 1st of October, 1984.



Notary Public
MARTHA C. BARTO, Notary Public
Allentown, Lehigh County, Pa.
My Commission Expires Jan. 13, 1986

8410100144 841001
PDR ADDCK 05000387
PDR

THE UNIVERSITY OF CHICAGO

DEPARTMENT OF CHEMISTRY

5

1954

CHICAGO, ILL.

RECEIVED

PROFESSOR OF CHEMISTRY

UNIVERSITY OF CHICAGO

DEPARTMENT OF CHEMISTRY

CHICAGO, ILL.

PROFESSOR OF CHEMISTRY

Dear Professor [Name]:

I have received your letter of [Date] regarding [Subject].

Very truly yours,

[Name]

[Title]



BEFORE THE
UNITED STATES NUCLEAR REGULATORY COMMISSION

In the Matter of :
PENNSYLVANIA POWER & : Docket No. 50-388
LIGHT COMPANY

PROPOSED AMENDMENT NO. 11
FACILITY OPERATING LICENSE NO. NPF-22
SUSQUEHANNA STEAM ELECTRIC STATION
UNIT NO. 2

Licensee, Pennsylvania Power & Light Company, hereby files proposed Amendment No. 11 to its Facility Operating License No. NPF-22 dated March 23, 1984.

This amendment contains a revision to the Susquehanna SES Unit 2 Technical Specifications.

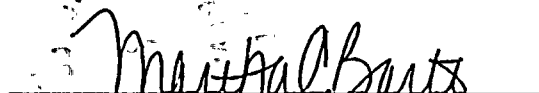
PENNSYLVANIA POWER & LIGHT COMPANY
BY:



N. W. Curtis

Vice President - Engineering &
Construction - Nuclear

Sworn to and subscribed before me
this 15th of October, 1984.



Notary Public

MARTHA C. BARTO, Notary Public
Allentown, Lehigh County, Pa.
My Commission Expires Jan. 13, 1986

SECRET

CONFIDENTIAL

CONFIDENTIAL

CONFIDENTIAL

CONFIDENTIAL

CONFIDENTIAL

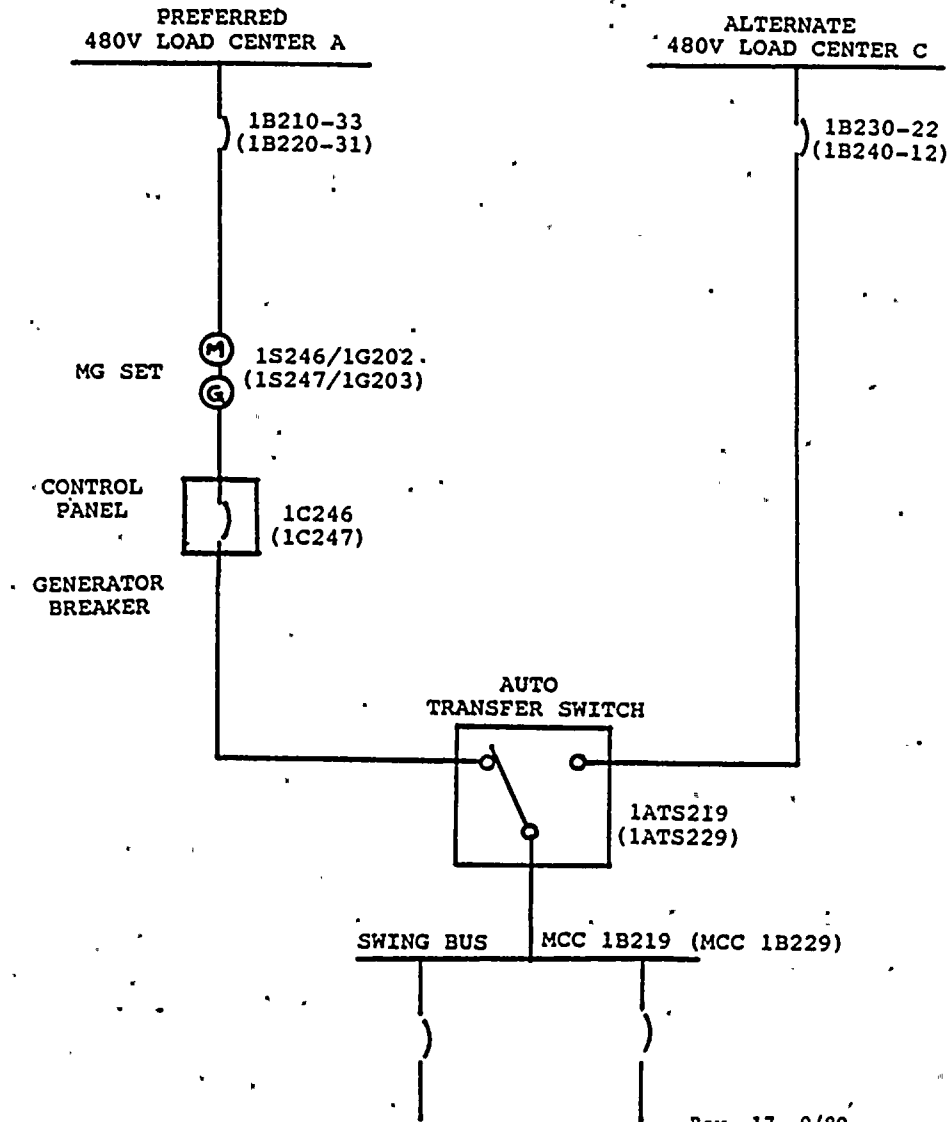
CONFIDENTIAL

CONFIDENTIAL

CONFIDENTIAL

CONFIDENTIAL

CONFIDENTIAL



Rev. 17, 9/80

SUSQUEHANNA STEAM ELECTRIC STATION
UNITS 1 AND 2
FINAL SAFETY ANALYSIS REPORT

SINGLE LINE DIAGRAM
FOR 480V SWING BUS SYSTEM

FIGURE 8.3-13

FIGURE A

Dept. _____

PENNSYLVANIA POWER & LIGHT COMPANY
CALCULATION SHEET

ER No. _____

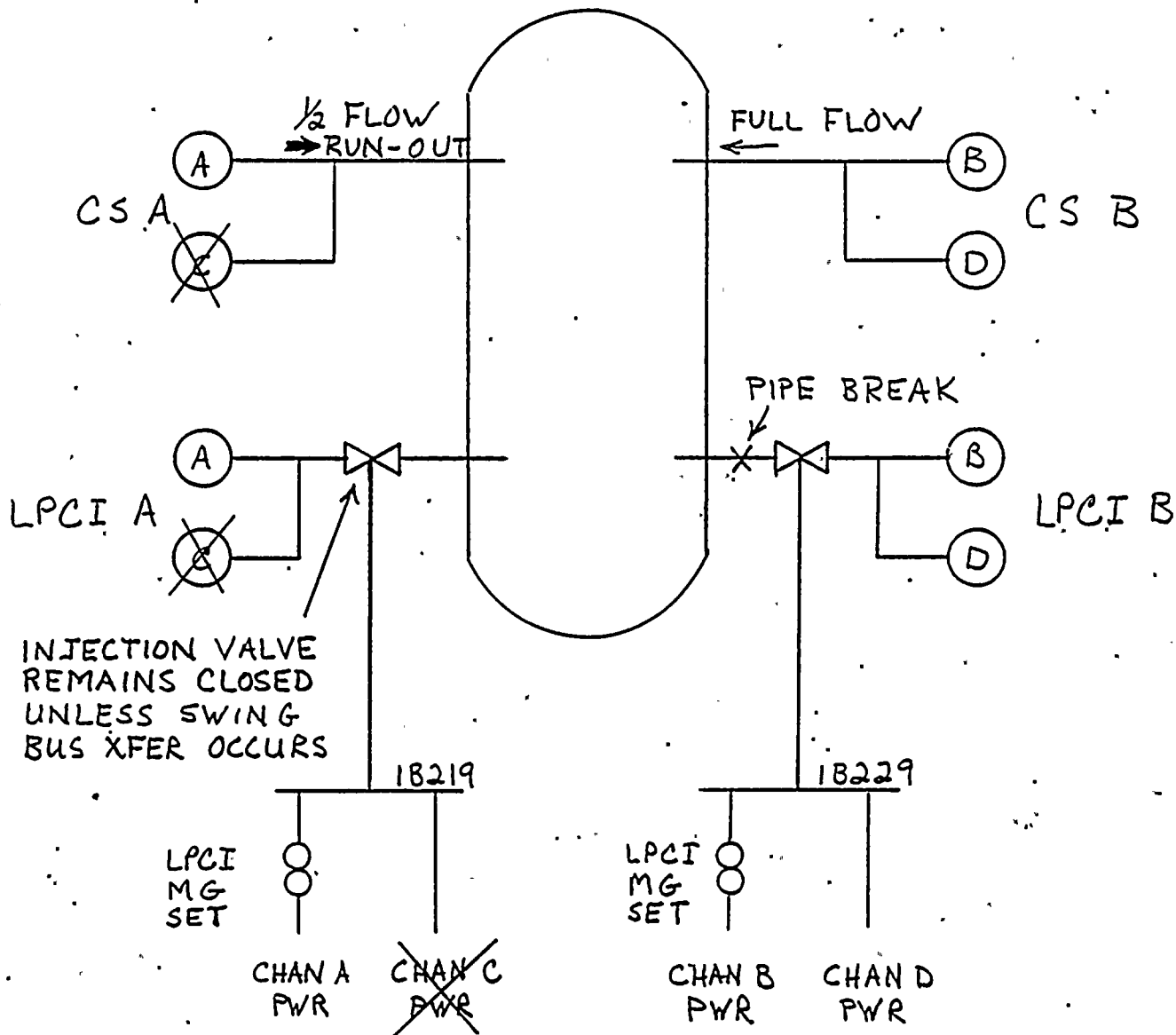
Date _____ 19 _____

Designed by AFS

PROJECT _____

Sht. No. _____ of _____

Approved by _____



ASSUME 4KV BUS 1A203 (CHAN C) FAILS

SINGLE FAILURE EVALUATION

<u>Assumed Failure</u>	<u>Suction Break Systems Remaining</u>	<u>Discharge Break Systems Remaining</u>
LPCI Injection Valve	All ADS, HPCI, 2 CS, 2 LPCI (1 loop)	All ADS, HPCI, 2 CS
HPCI	All ADS, 2 CS, 4 LPCI (2 loops)	All ADS, 2 CS, 2 LPCI (1 loop)
Diesel Generator	All ADS, HPCI, 1 CS 3 LPCI (2 loops)	All ADS, HPCI, 1 CS, 1 LPCI (1 loop)
One ADS Valve	All ADS minus one, HPCI, 2 CS, 4 LPCI (2 loops)	All ADS minus one, HPCI, 2 CS, 2 LPCI (1 loop)

Other postulated failures are not specifically considered because they all result in at least as much ECCS capacity as one of the above designated failures.