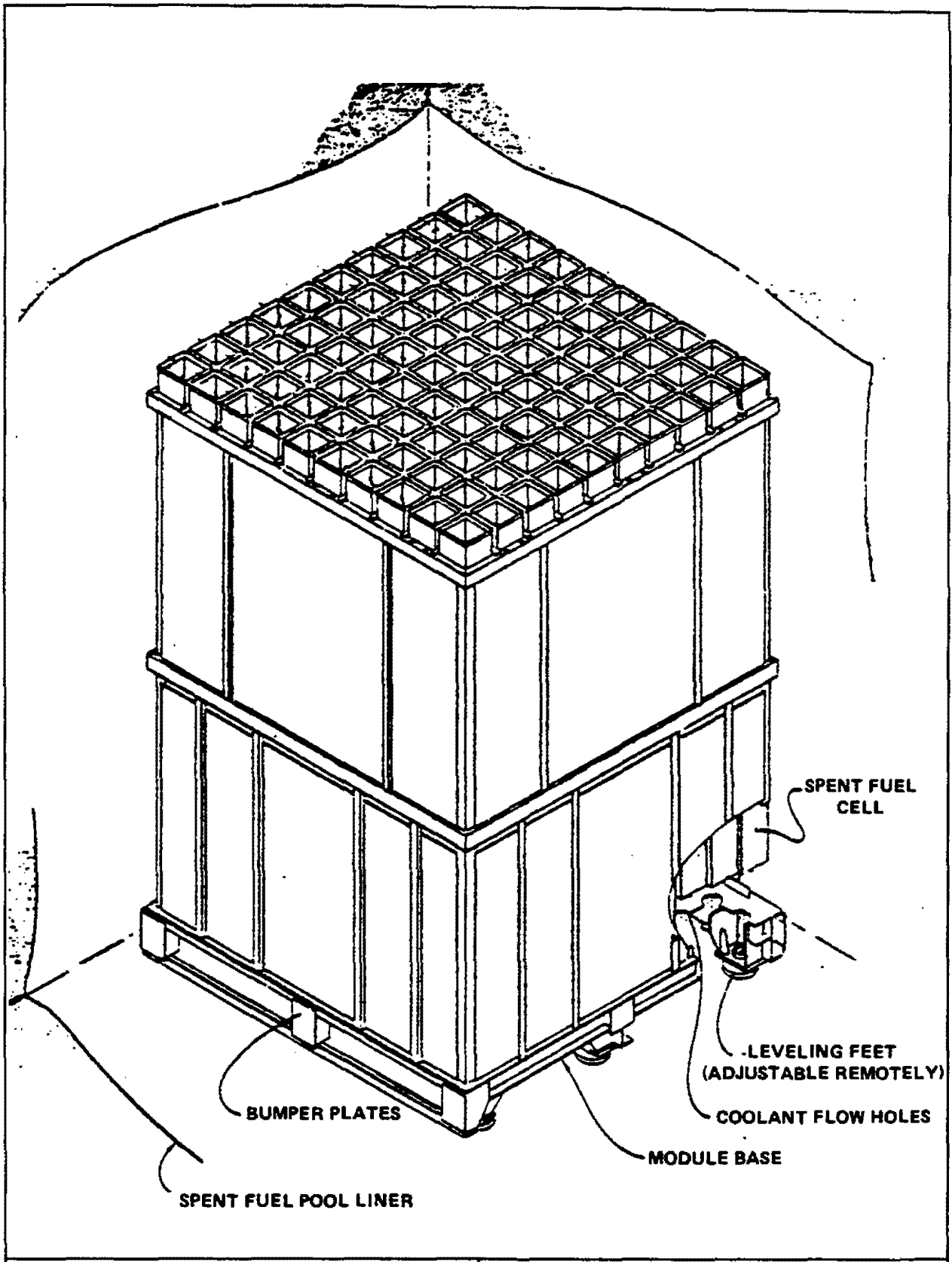


Figure F9.1-1 intentionally deleted.  
Refer to plant drawing 204836 in DCRMS

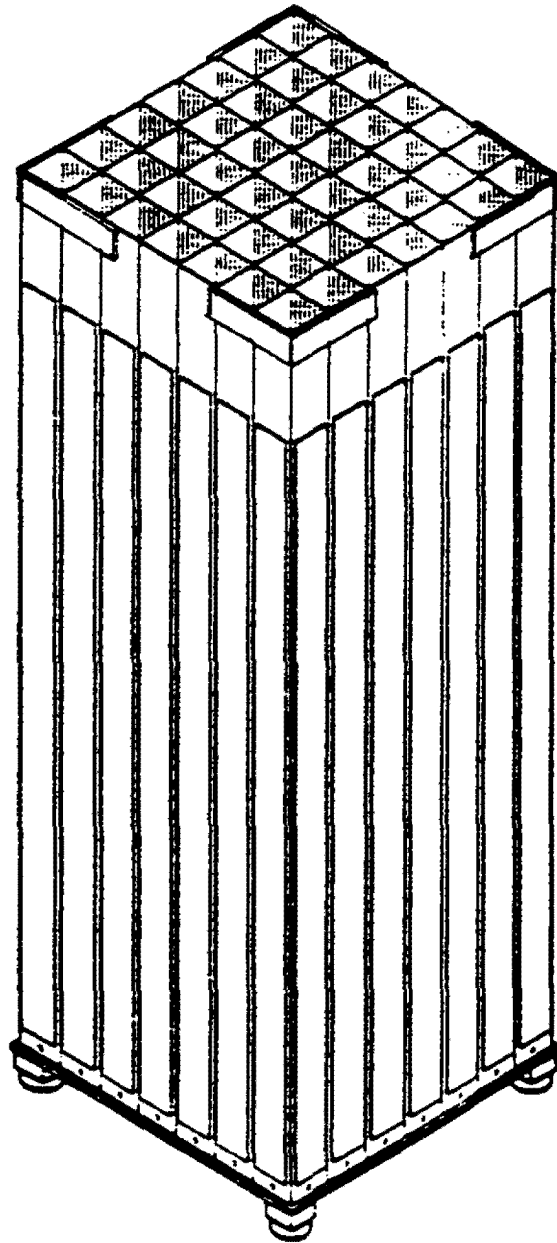


**PUBLIC SERVICE ELECTRIC AND GAS COMPANY  
SALEM NUCLEAR GENERATING STATION**

**High Density Region I  
Spent Fuel Storage Module**

Updated FSAR  
Revision 15 June 12, 1996

Figure 9.1-2A

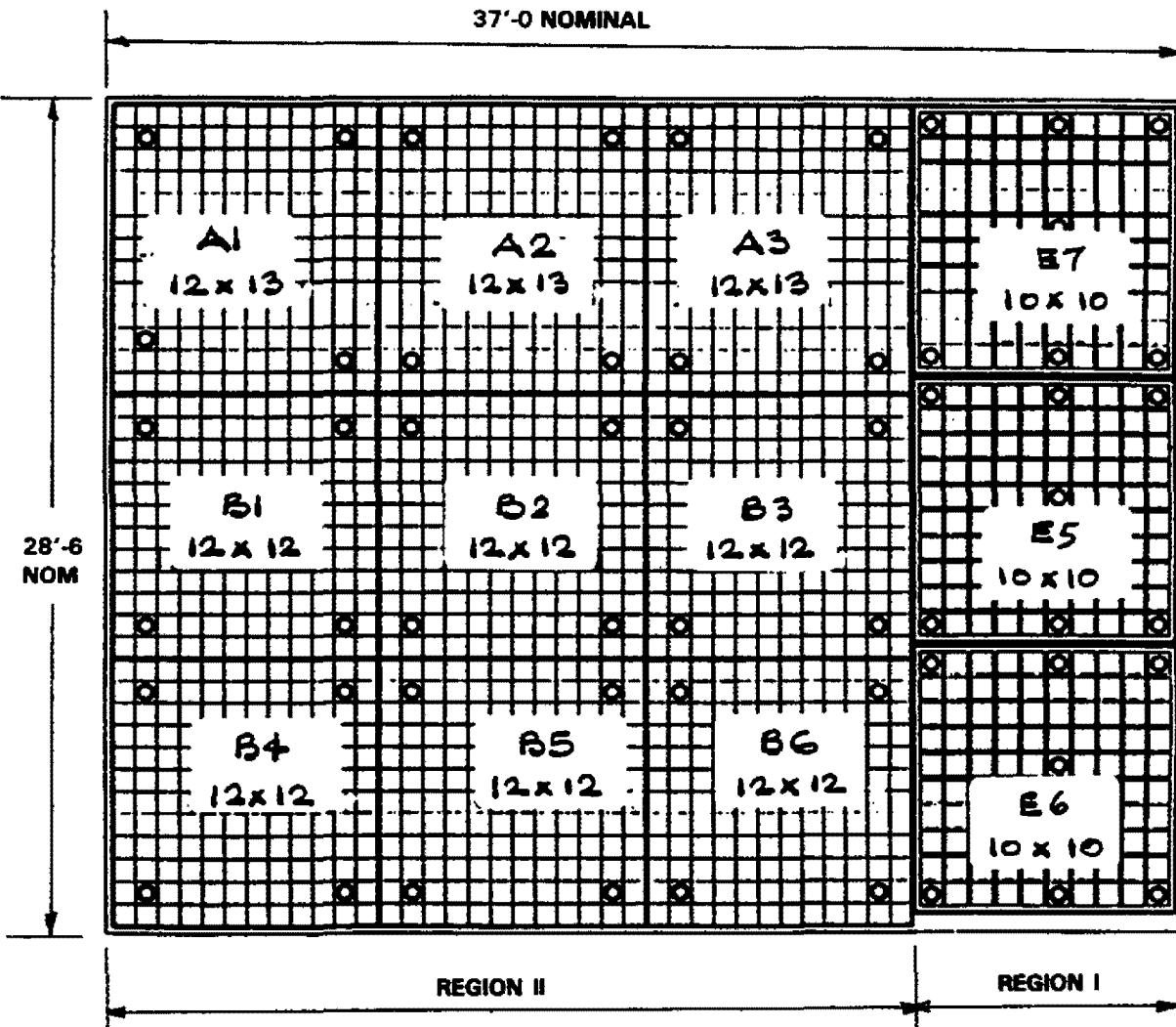


**PUBLIC SERVICE ELECTRIC AND GAS COMPANY  
SALEM NUCLEAR GENERATING STATION**

**Maximum Density Region II  
Spent Fuel Storage Module**

**Updated FSAR  
Revision 15 June 12, 1996**

**Figure 9.1-2B**



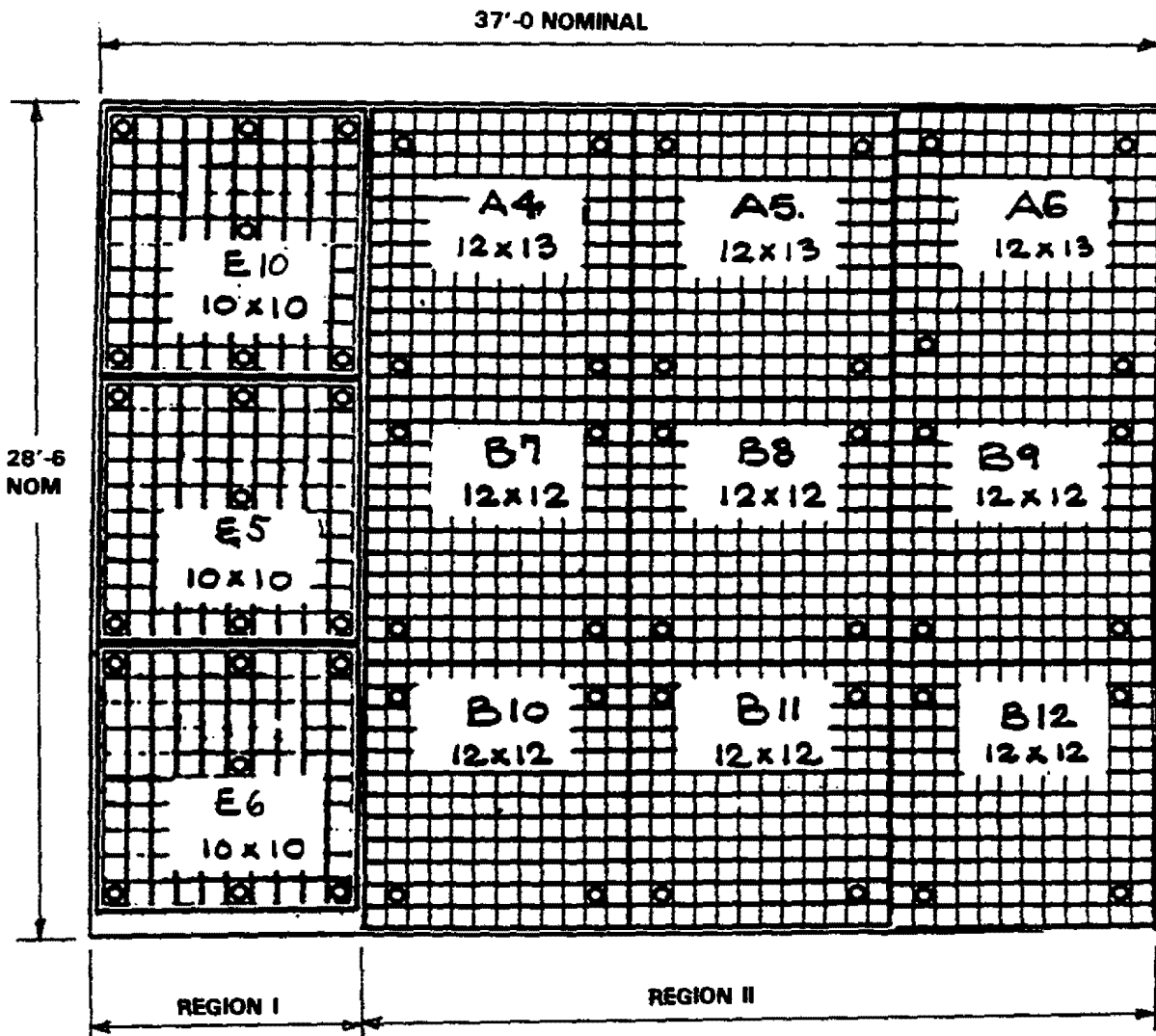
INCREASED CAPACITY POOL LAYOUT (1632 CELLS)

PUBLIC SERVICE ELECTRIC AND GAS COMPANY  
SALEM NUCLEAR GENERATING STATION

Unit 1 Spent Fuel Pool Rack Layout

Updated FSAR  
Revision 15 June 12, 1996

Figure 9.1-3



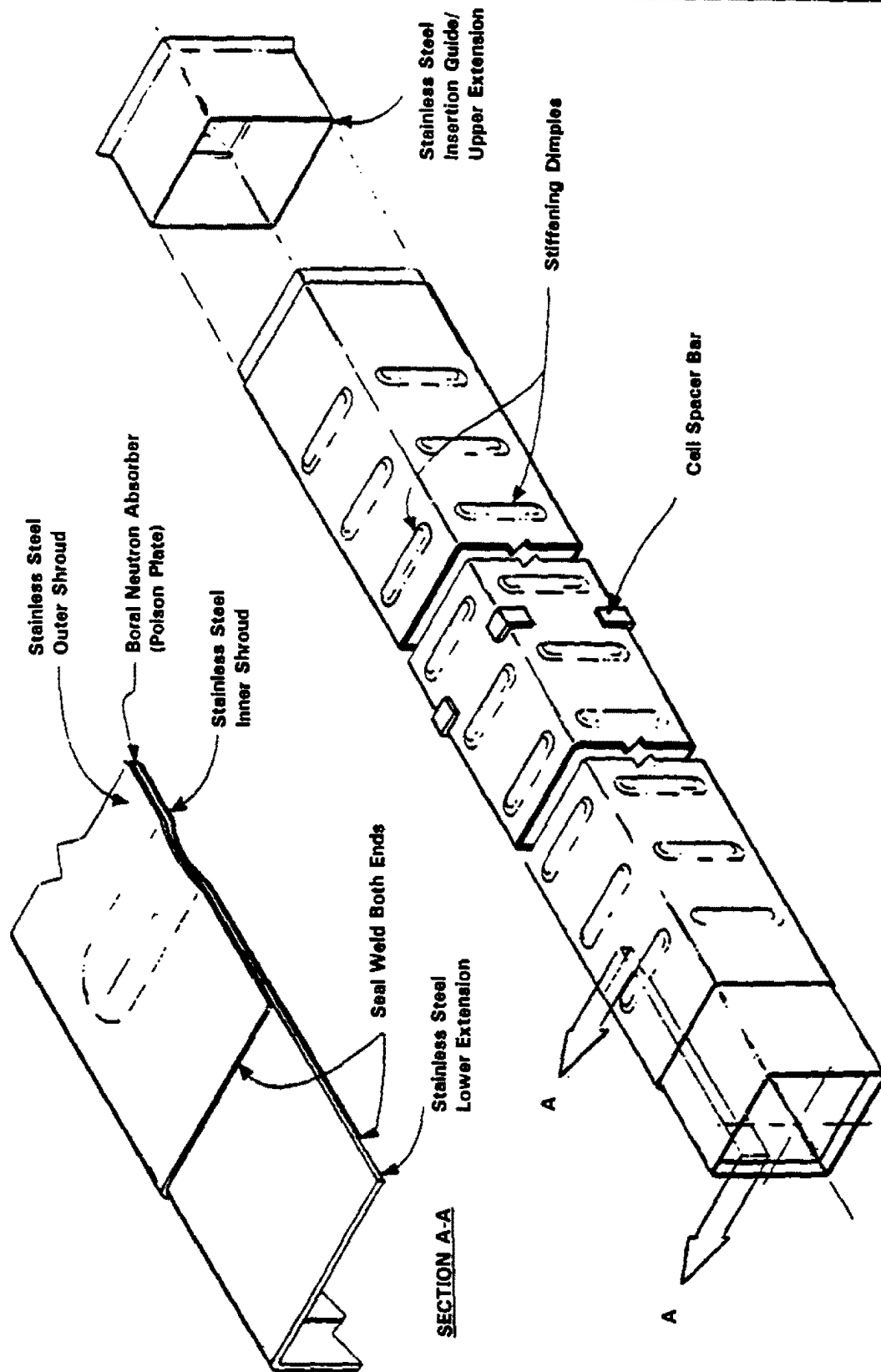
INCREASED CAPACITY POOL LAYOUT (1632 CELLS)

PUBLIC SERVICE ELECTRIC AND GAS COMPANY  
SALEM NUCLEAR GENERATING STATION

Unit 2 Spent Fuel Pool Rack Layout

Updated FSAR  
Revision 15 June 12, 1996

Figure 9.1-3A

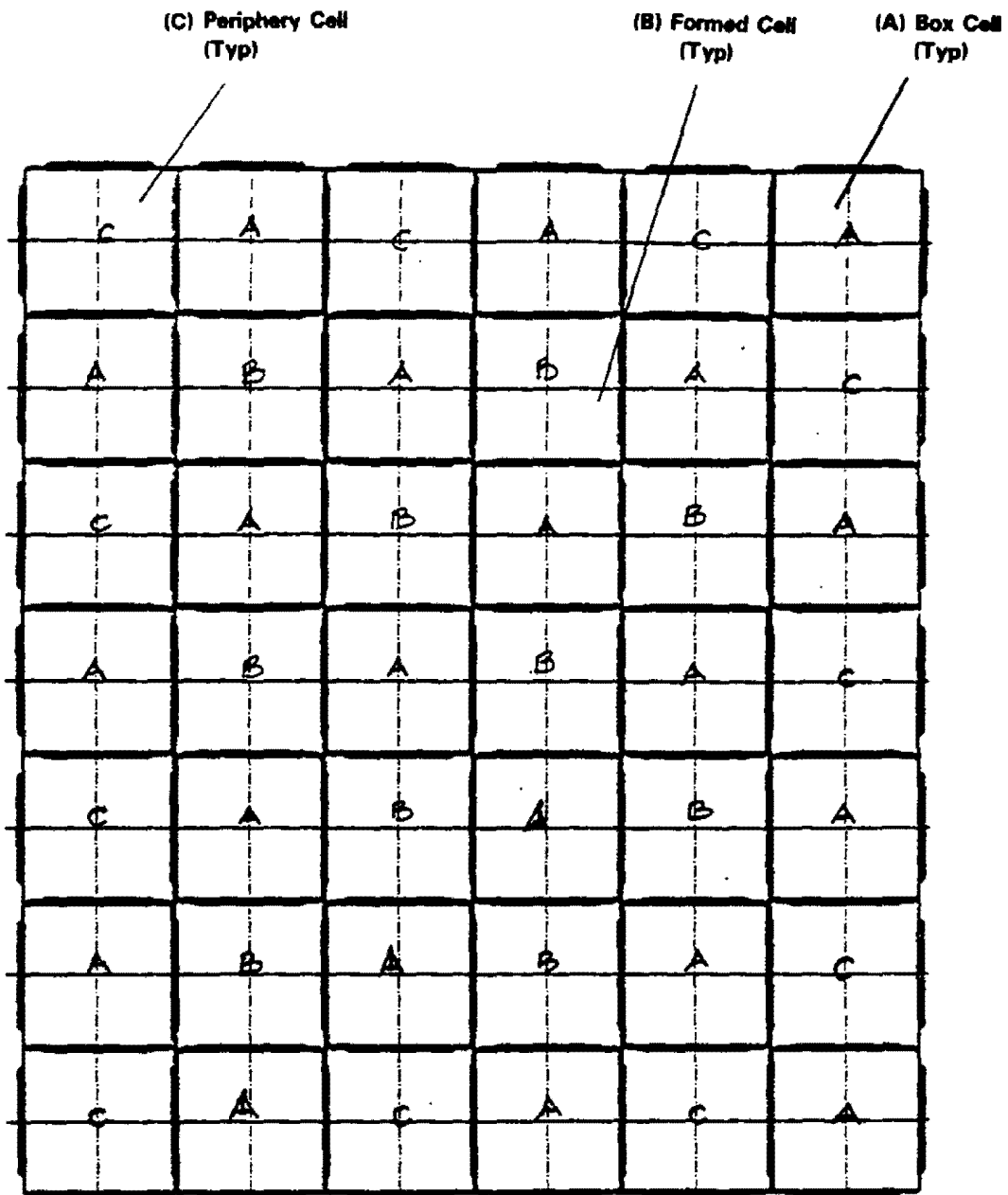


PUBLIC SERVICE ELECTRIC AND GAS COMPANY  
SALEM NUCLEAR GENERATING STATION

High Density Region I  
Poison Spent Fuel Storage Cell

Updated FSAR  
Revision 15 June 12, 1996

Figure 9.1-3B



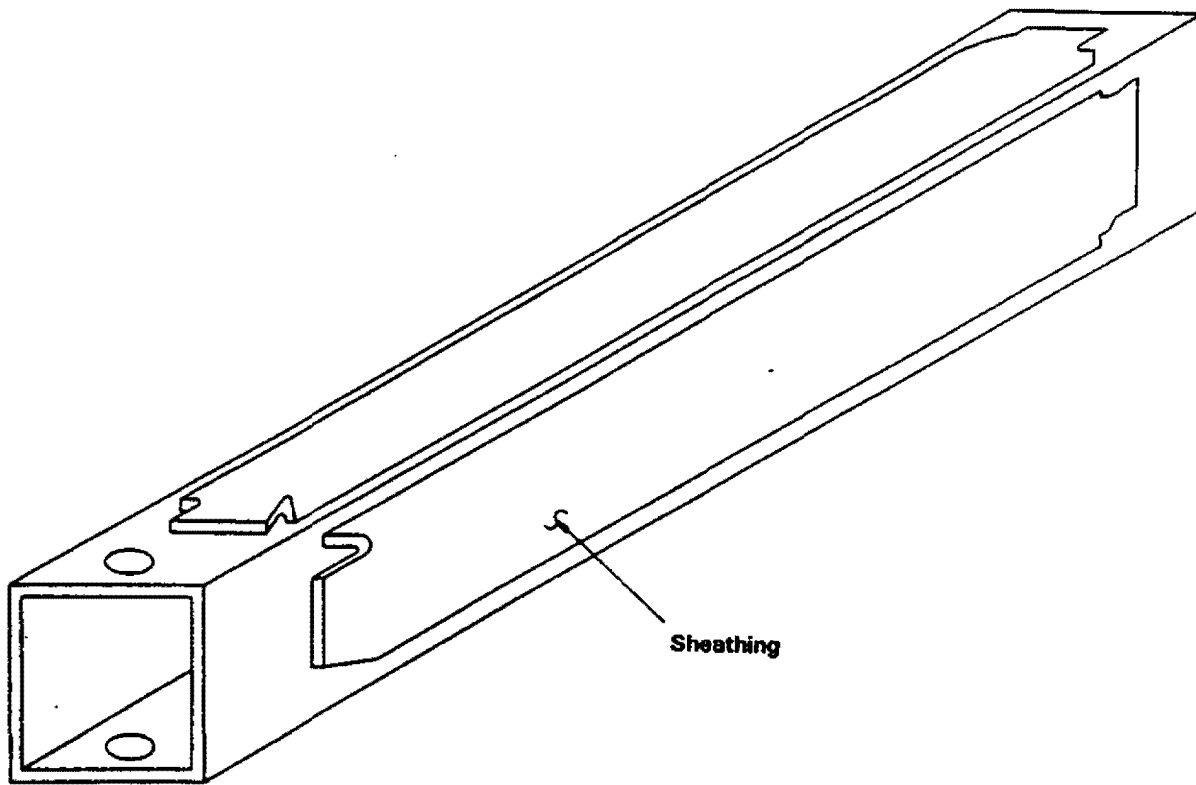
Typical Array of Region II Cells  
(Non-Flux Trap Construction)

PUBLIC SERVICE ELECTRIC AND GAS COMPANY  
SALEM NUCLEAR GENERATING STATION

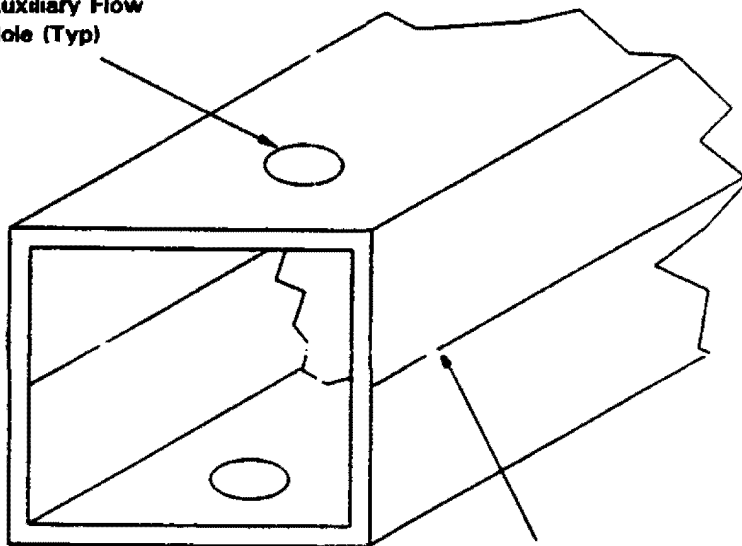
Maximum Density Region II  
Spent Fuel Storage Rack Array

Updated FSAR  
Revision 15 June 12, 1996

Figure 9.1-3C



Auxiliary Flow Hole (Typ)



Weld Seam

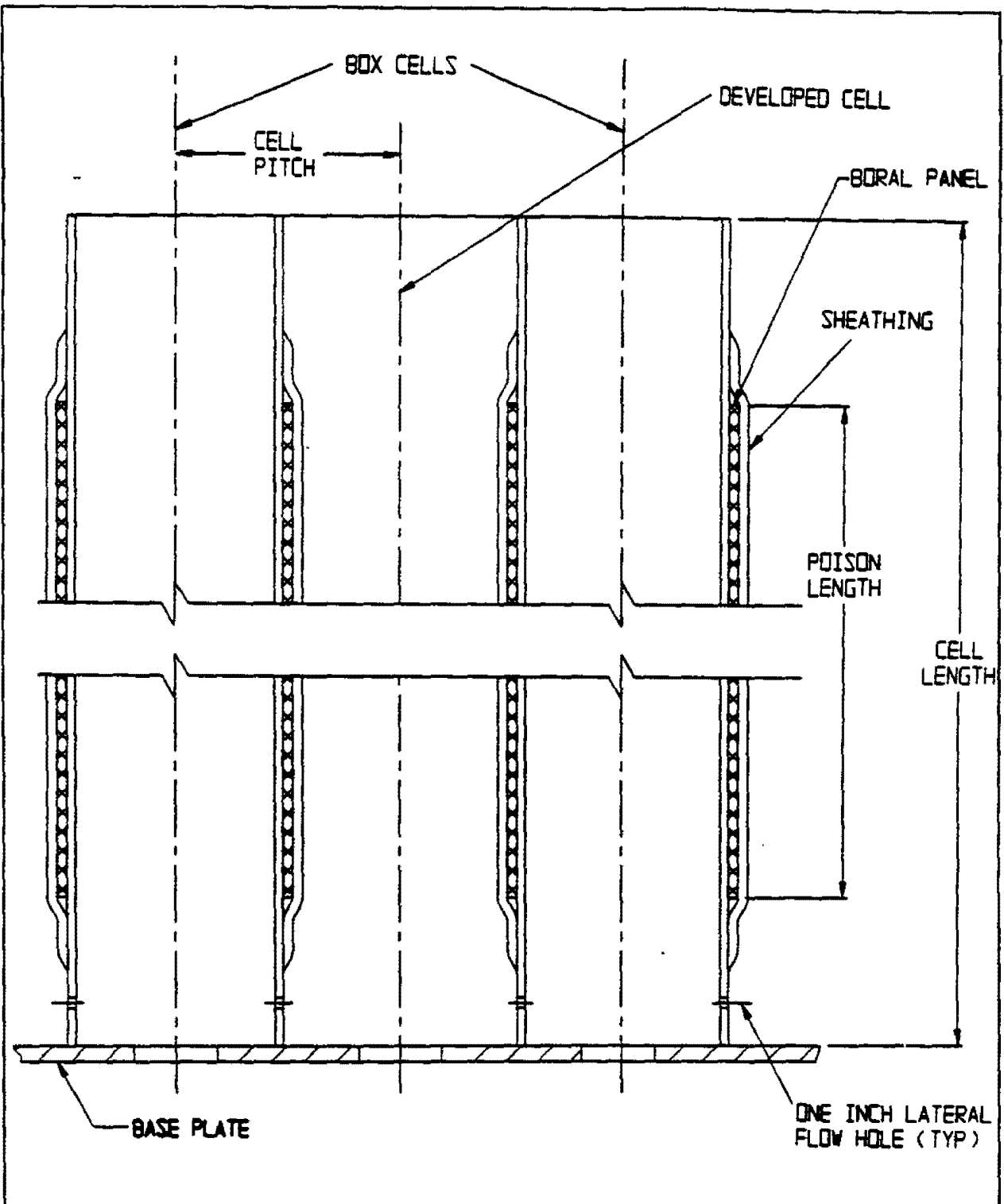
PUBLIC SERVICE ELECTRIC AND GAS COMPANY  
SALEM NUCLEAR GENERATING STATION

Maximum Density Region II  
Spent Fuel Storage Cell

Updated FSAR  
Revision 15 June 12, 1996

Figure 9.1-3D





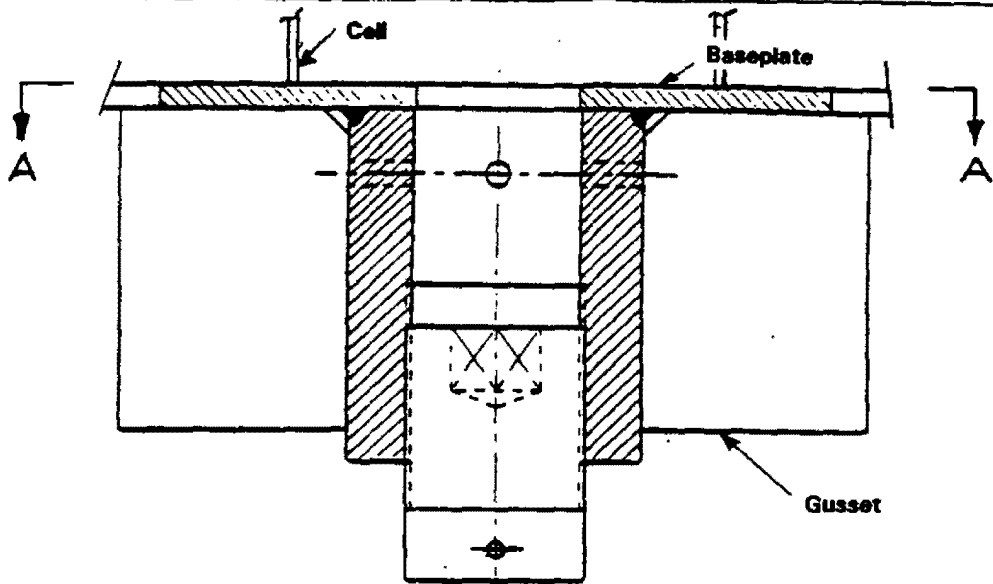
**ELEVATION VIEW OF REGION II RACK MODULE**

**PUBLIC SERVICE ELECTRIC AND GAS COMPANY  
SALEM NUCLEAR GENERATING STATION**

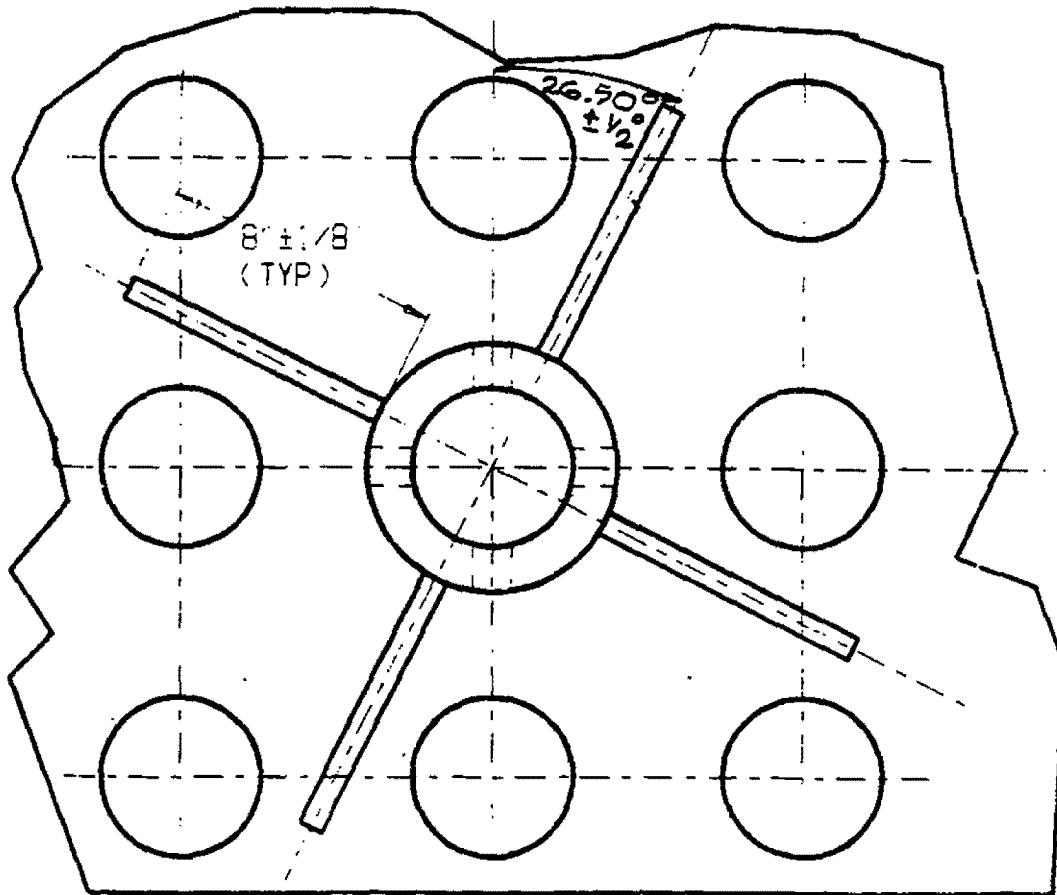
**Maximum Density Region II  
Spent Fuel Storage Cell Cross Section**

Updated FSAR  
Revision 15 June 12, 1996

Figure 9.1-3E



**Elevation Through Baseplate and Support Leg**



**Plan A-A**

**PUBLIC SERVICE ELECTRIC AND GAS COMPANY  
SALEM NUCLEAR GENERATING STATION**

**Maximum Density Region II  
Spent Fuel Storage Rack Baseplate**

Updated FSAR  
Revision 15 June 12, 1996

Figure 9.1-3F

Figure F9.1-4A intentionally deleted.  
Refer to plant drawing 205233 in DCRMS

Figure F9.1-4B intentionally deleted.  
Refer to plant drawing 205333 in DCRMS

Security-Related Information  
Figure Withheld Under 10 CFR 2.390

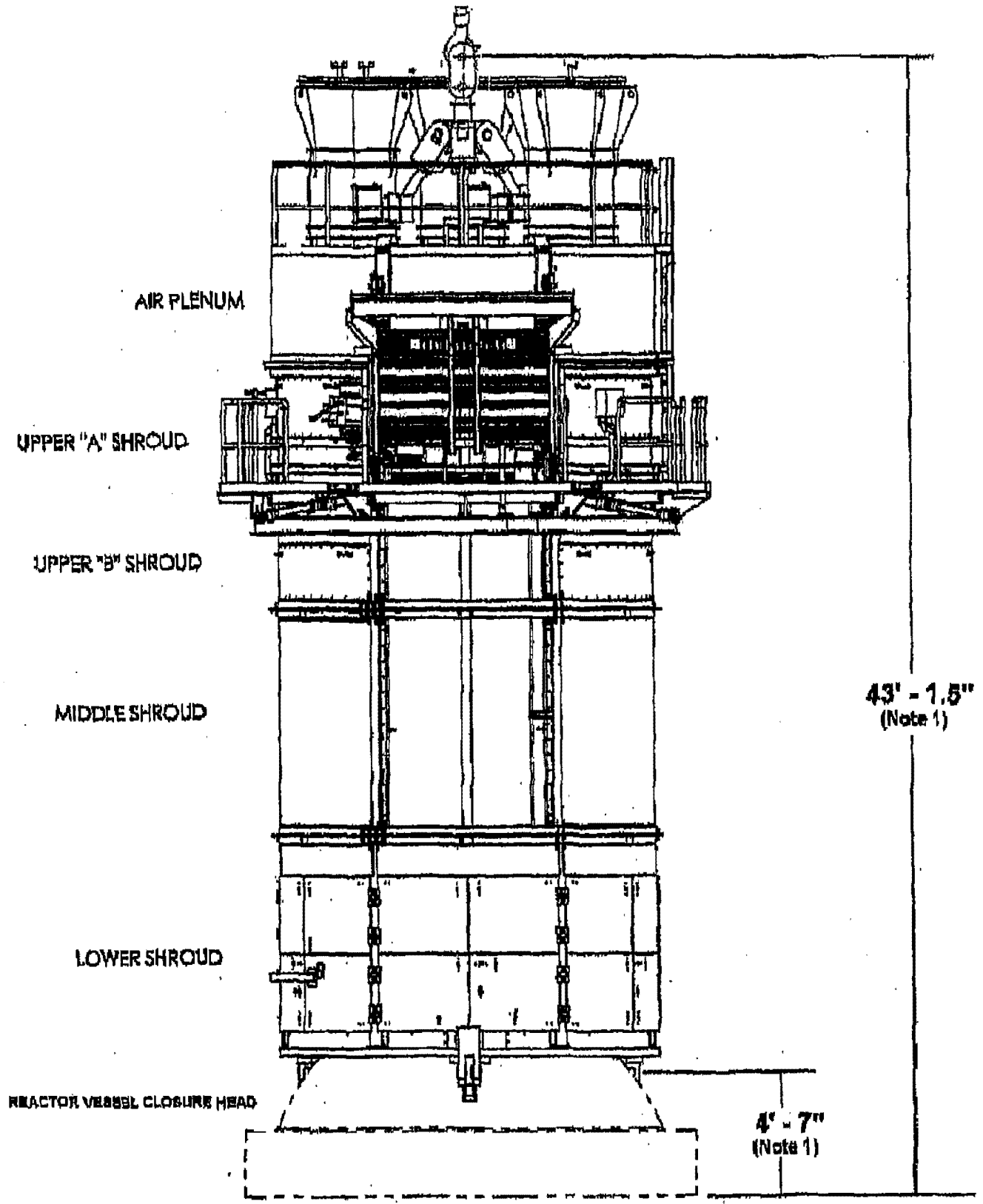
REVISION 6  
FEBRUARY 15, 1987

PUBLIC SERVICE ELECTRIC AND GAS COMPANY SALEM NUCLEAR GENERATING STATION	Fuel Transfer System (Typical)
	Updated FSAR <span style="float: right;">Figure 9.1-5</span>

FIGURE 9.1-6 HAS BEEN DELETED  
(SEE FIGURE 9.1-6A)

Revision 22, May 5, 2006

PSEG Nuclear, LLC SALEM NUCLEAR GENERATING STATION	Salem Nuclear Generating Station REACTOR VESSEL HEAD & LIFTING DEVICE
	Updated FSAR Figure 9.1-6



Revision 22, May 5, 2006

PSEG Nuclear, LLC  
SALEM NUCLEAR GENERATING STATION

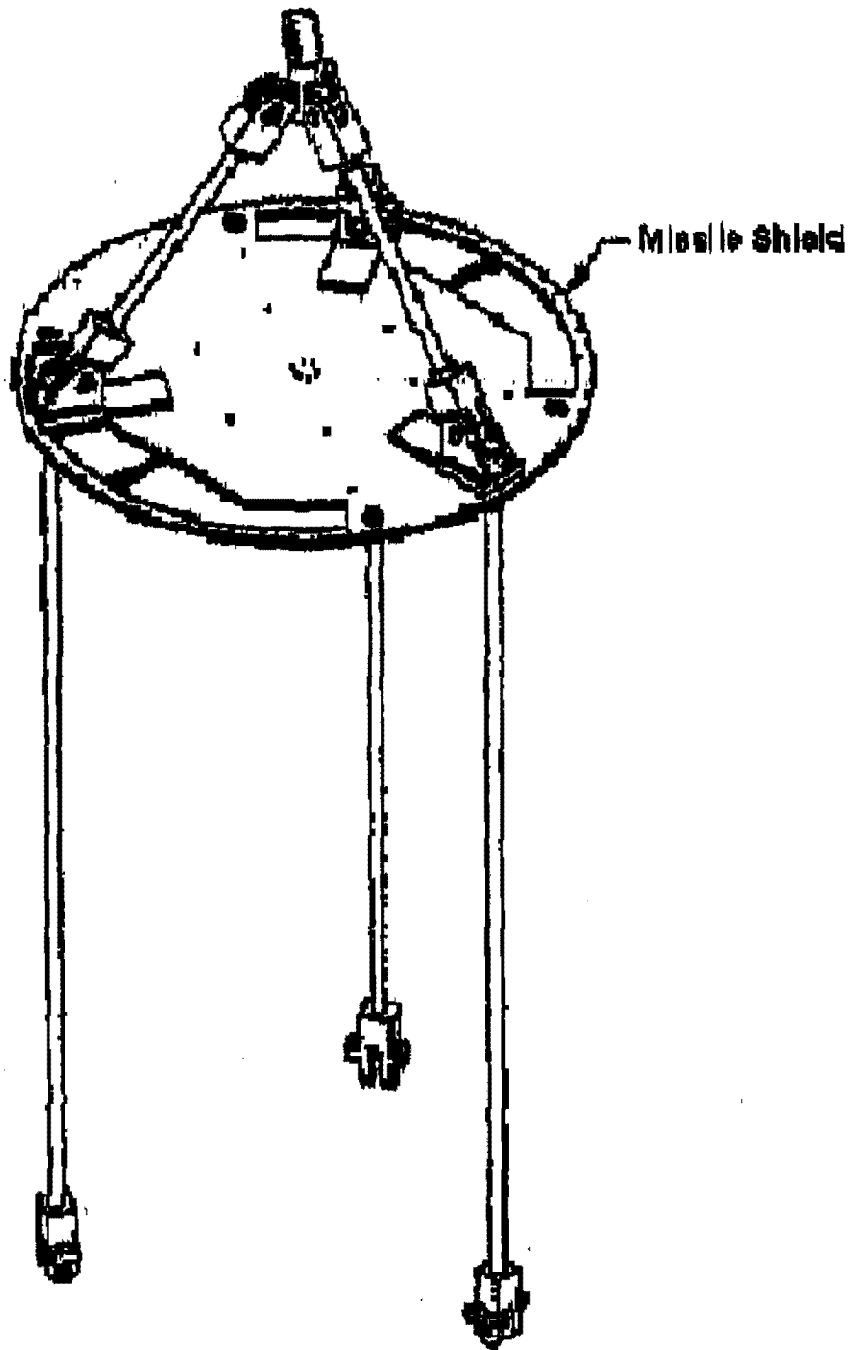
Salem Nuclear Generating Station  
UNIT 2 IHA ASSEMBLY AND LIFTING DEVICES  
(LIFTING DEVICES: POLAR CRANE HOOK AND LOAD CELL LINKAGE)  
Updated FSAR  
Figure 9.1-6A

FIGURE 9.1-7 HAS BEEN DELETED  
(SEE FIGURE 9.1-7A)

Revision 22, May 5, 2006

PSEG Nuclear, LLC SALEM NUCLEAR GENERATING STATION	Salem Nuclear Generating Station MISSILE SHIELD
	Updated FSAR Figure 9.1-7





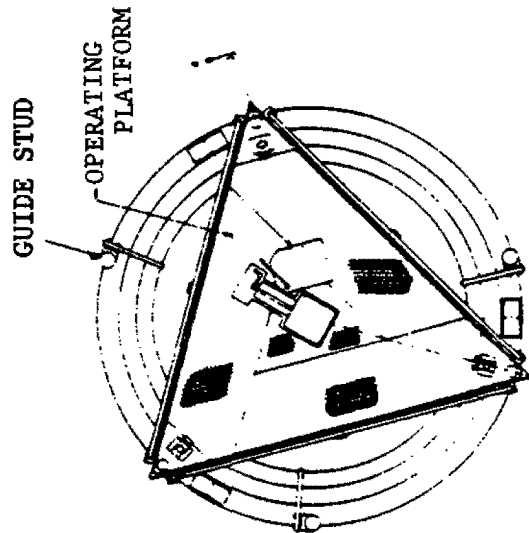
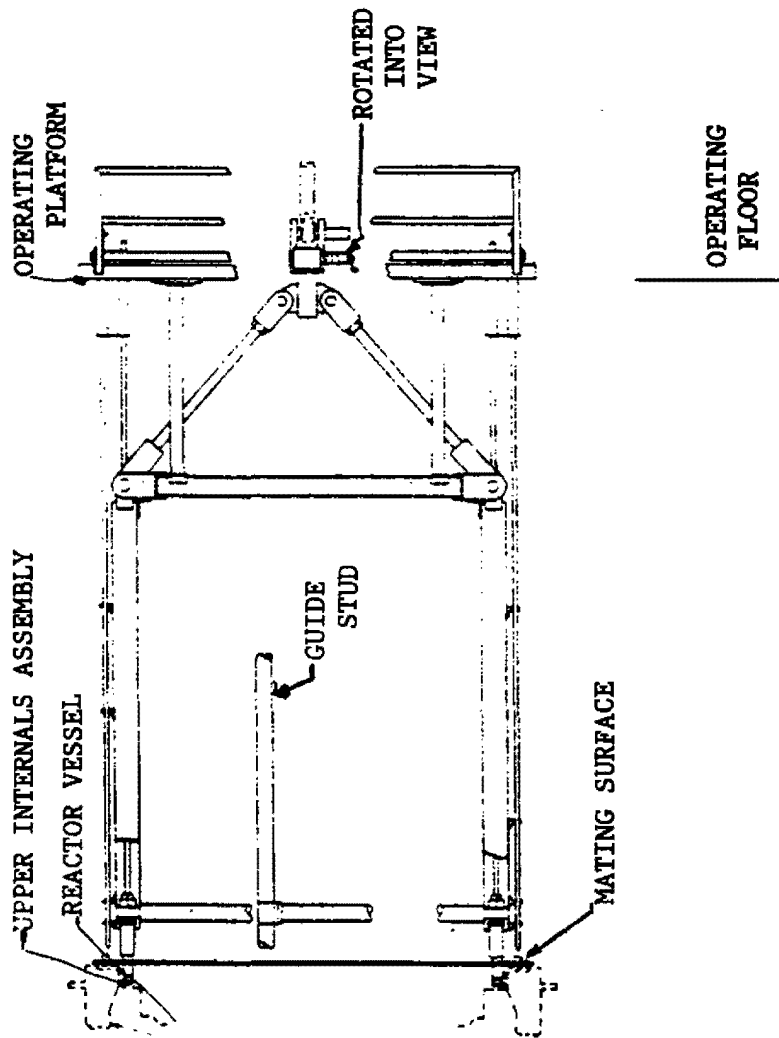
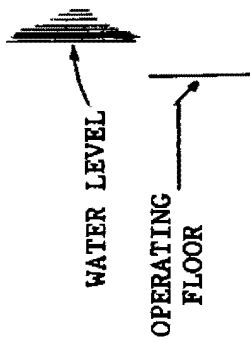
Revision 22, May 5, 2006

PSEG Nuclear, LLC SALEM NUCLEAR GENERATING STATION	Salem Nuclear Generating Station MISSILE SHIELD
	Updated FSAR

FIGURE 9.1-8 HAS BEEN DELETED  
(SEE FIGURE 9.1-7A)

Revision 22, May 5, 2006

PSEG Nuclear, LLC SALEM NUCLEAR GENERATING STATION	Salem Nuclear Generating Station MISSILE SHIELD HANDLING FIXTURE
	Updated FSAR Figure 9.1-8



SECTION A-A

ELEVATION VIEW

REVISION 6  
FEBRUARY 15, 1987

<p>PUBLIC SERVICE ELECTRIC AND GAS COMPANY SALEM NUCLEAR GENERATING STATION</p>	<p>Internals Lifting Rig</p> <p>UPDATED FSAR</p> <p>Figure 9.1-9</p>
---	--