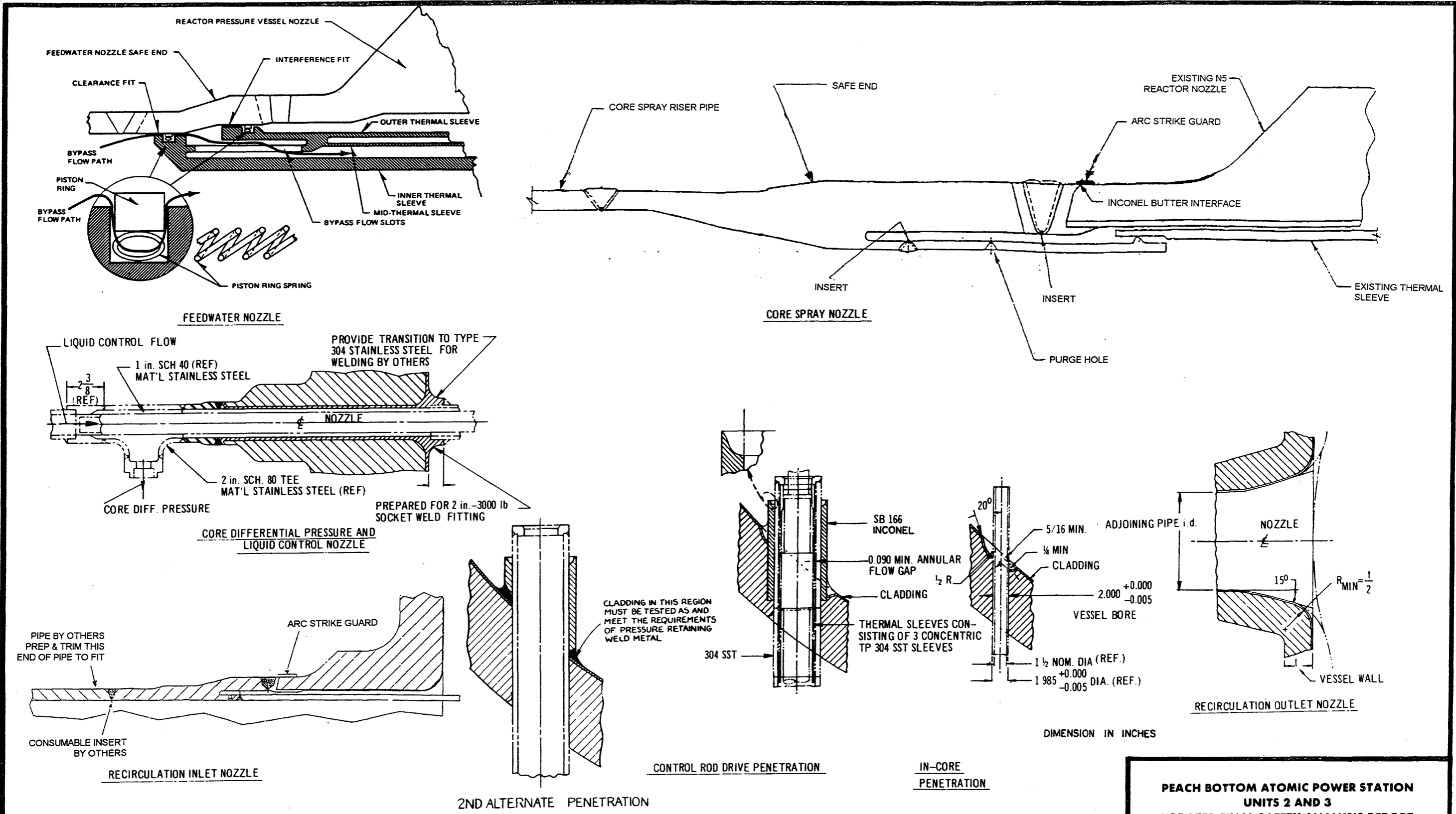


**PECO ENERGY COMPANY  
PEACH BOTTOM ATOMIC POWER STATION  
UNITS 2 AND 3  
UPDATED FINAL SAFETY ANALYSIS REPORT**

**REACTOR VESSEL SCHEMATIC**

**FIGURE 4.2.1** Rev. 16 04/99



**PEACH BOTTOM ATOMIC POWER STATION  
 UNITS 2 AND 3  
 UPDATED FINAL SAFETY ANALYSIS REPORT**

**REACTOR VESSEL NOZZLES AND  
 PENETRATIONS**

**FIGURE 4.2.2** Rev. 18 04/01

Figure 4.2.3

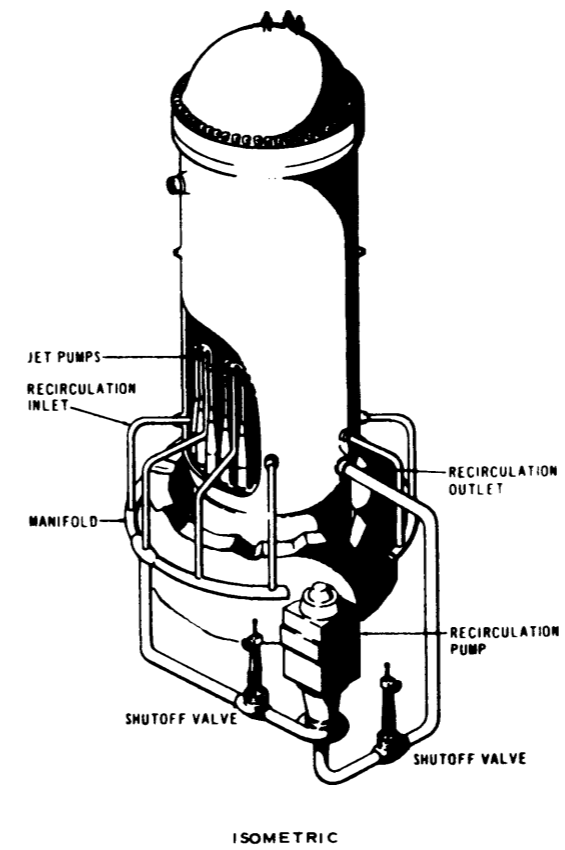
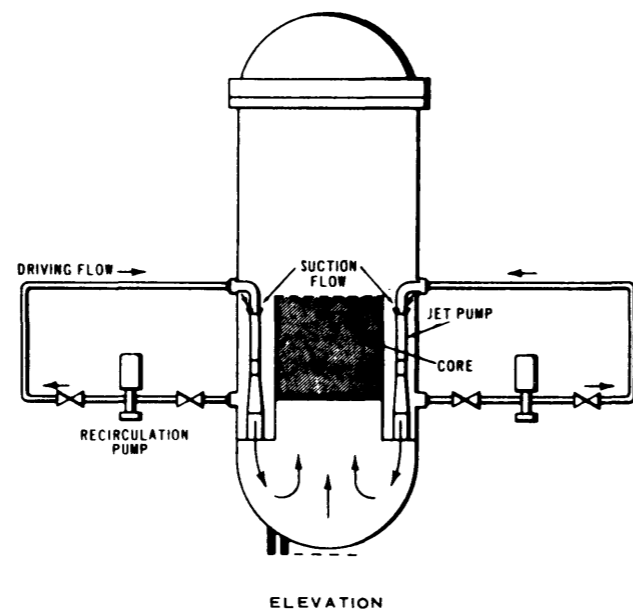
Deleted

Figure 4.2.4

Deleted

Figure 4.2.5

Deleted



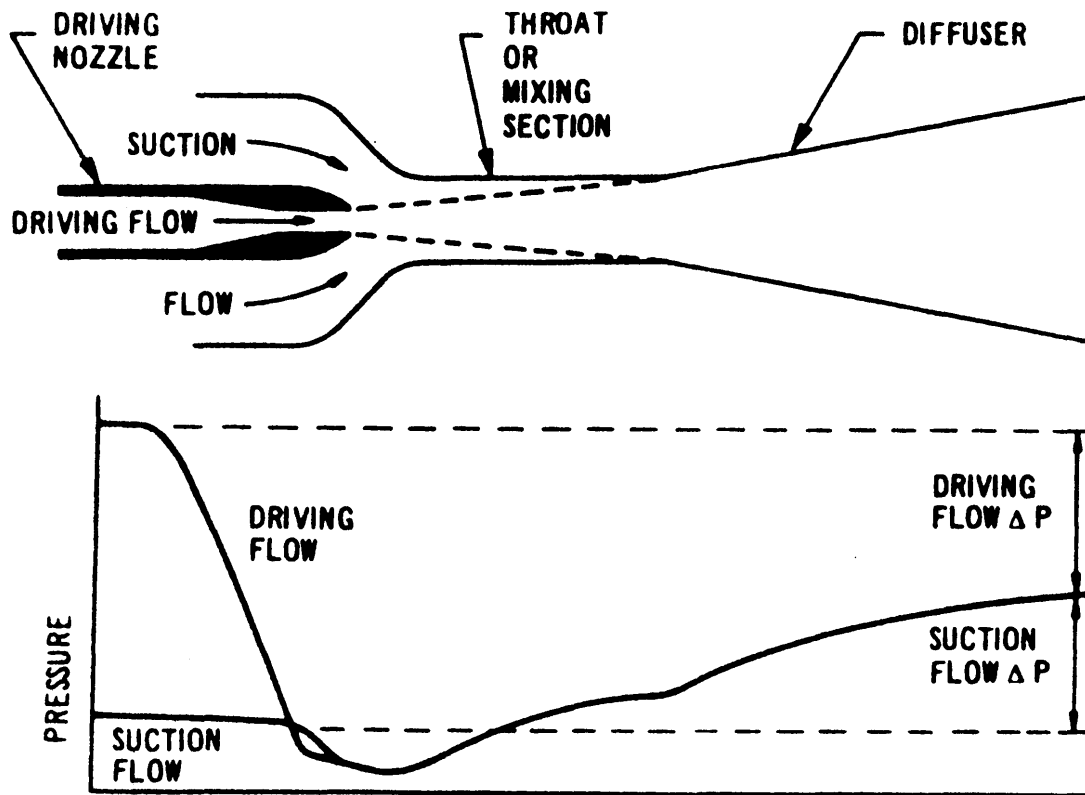
PHILADELPHIA ELECTRIC COMPANY  
 PEACH BOTTOM ATOMIC POWER STATION  
 UNITS 2 AND 3  
 UPDATED FINAL SAFETY ANALYSIS REPORT

RECIRCULATION SYSTEM ELEVATION  
 ISOMETRIC

FIGURE 4.3.1

Figure 4.3.2A thru 4.3.2B

Deleted

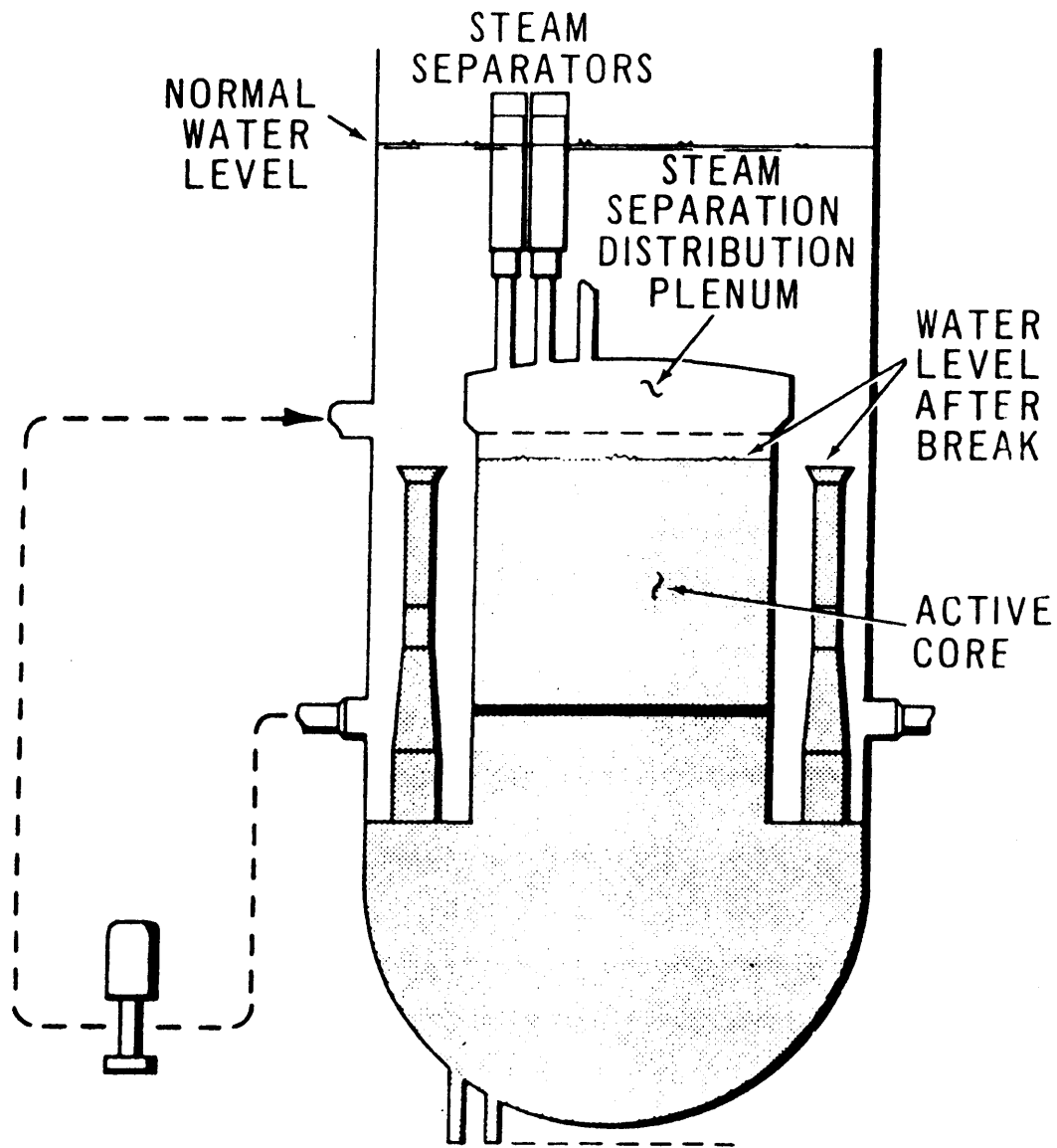


PHILADELPHIA ELECTRIC COMPANY  
 PEACH BOTTOM ATOMIC POWER STATION  
 UNITS 2 AND 3  
 UPDATED FINAL SAFETY ANALYSIS REPORT

JET PUMP  
 OPERATING PRINCIPLE

FIGURE 4.3.3

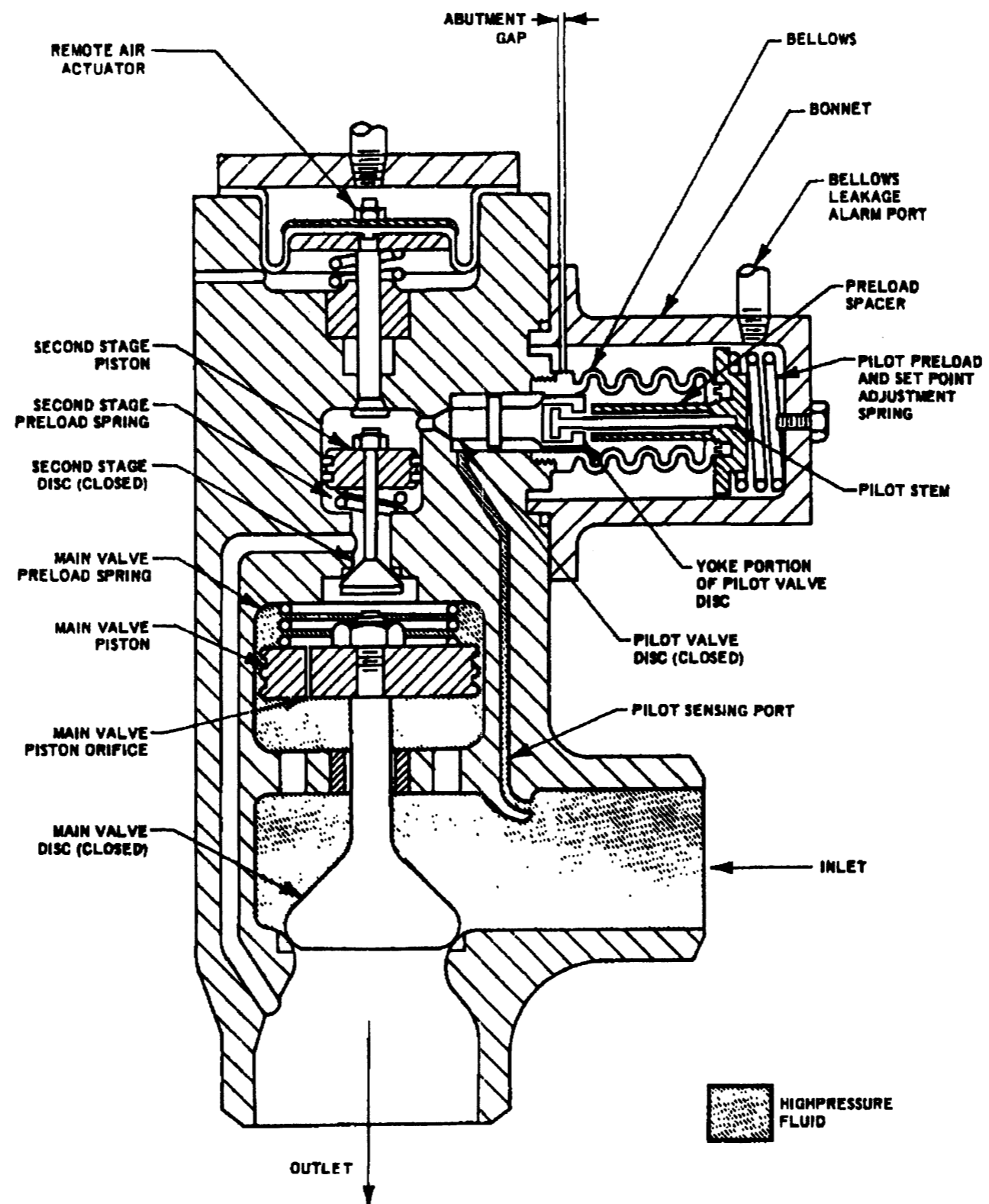




**PHILADELPHIA ELECTRIC COMPANY  
 PEACH BOTTOM ATOMIC POWER STATION  
 UNITS 2 AND 3  
 UPDATED FINAL SAFETY ANALYSIS REPORT**

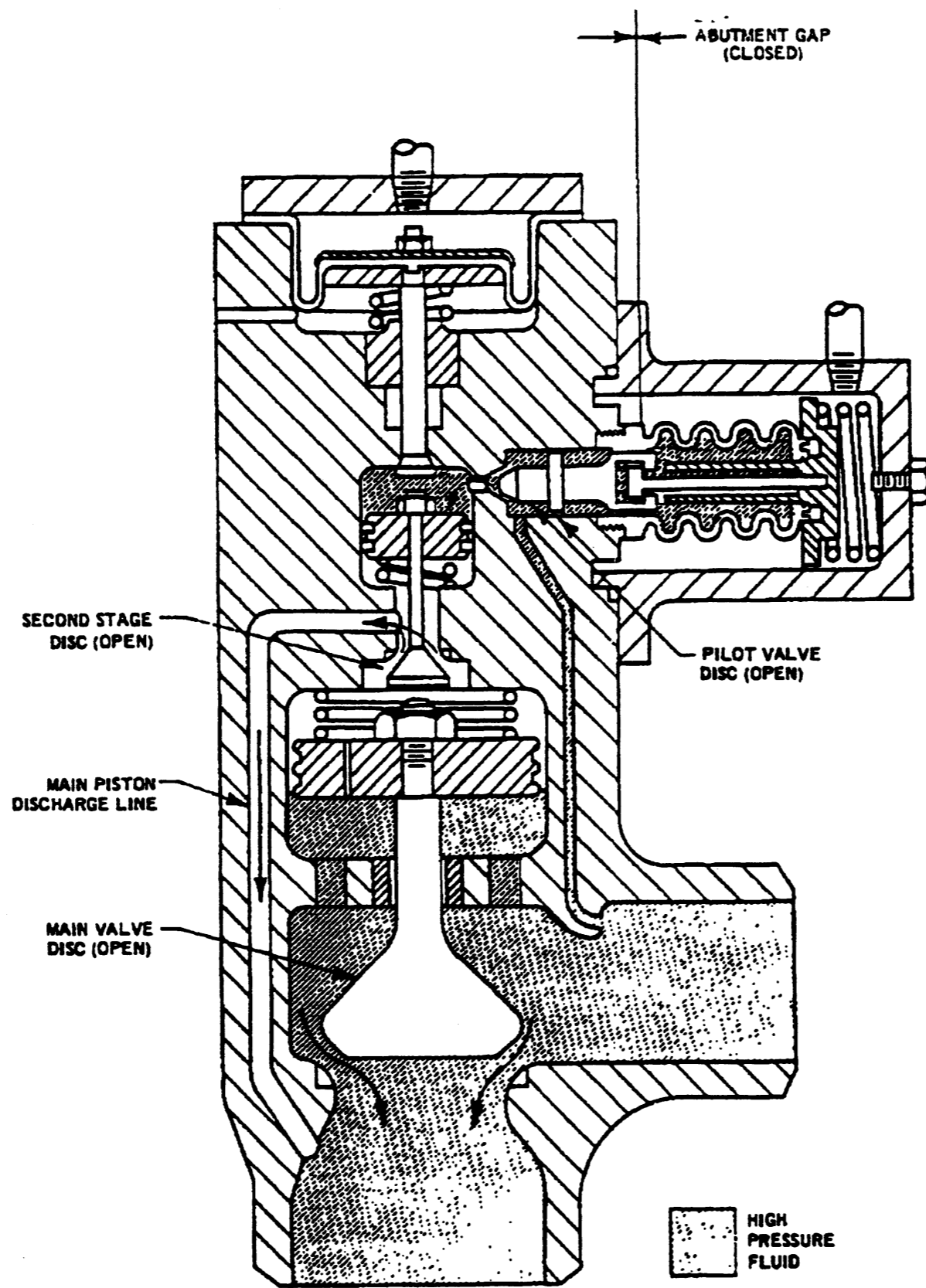
RECIRCULATION SYSTEM  
 CORE FLOODING CAPABILITY

**FIGURE 4.3.4**



PECO ENERGY COMPANY  
 PEACH BOTTOM ATOMIC POWER STATION  
 UNITS 2 AND 3  
 UPDATED FINAL SAFETY ANALYSIS REPORT

NUCLEAR SYSTEM RELIEF VALVE-  
 CLOSED POSITION



DWG. REV.21

PECO ENERGY COMPANY  
 PEACH BOTTOM ATOMIC POWER STATION  
 UNITS 2 AND 3  
 UPDATED FINAL SAFETY ANALYSIS REPORT

NUCLEAR SYSTEM RELIEF VALVE-  
 OPEN POSITION

FIGURE 4.4.2 SHT.1 OF 1 Rev.15 04/98

Figure 4.4.3

Deleted





Figure 4.7.1A thru 4.7.2F

Deleted

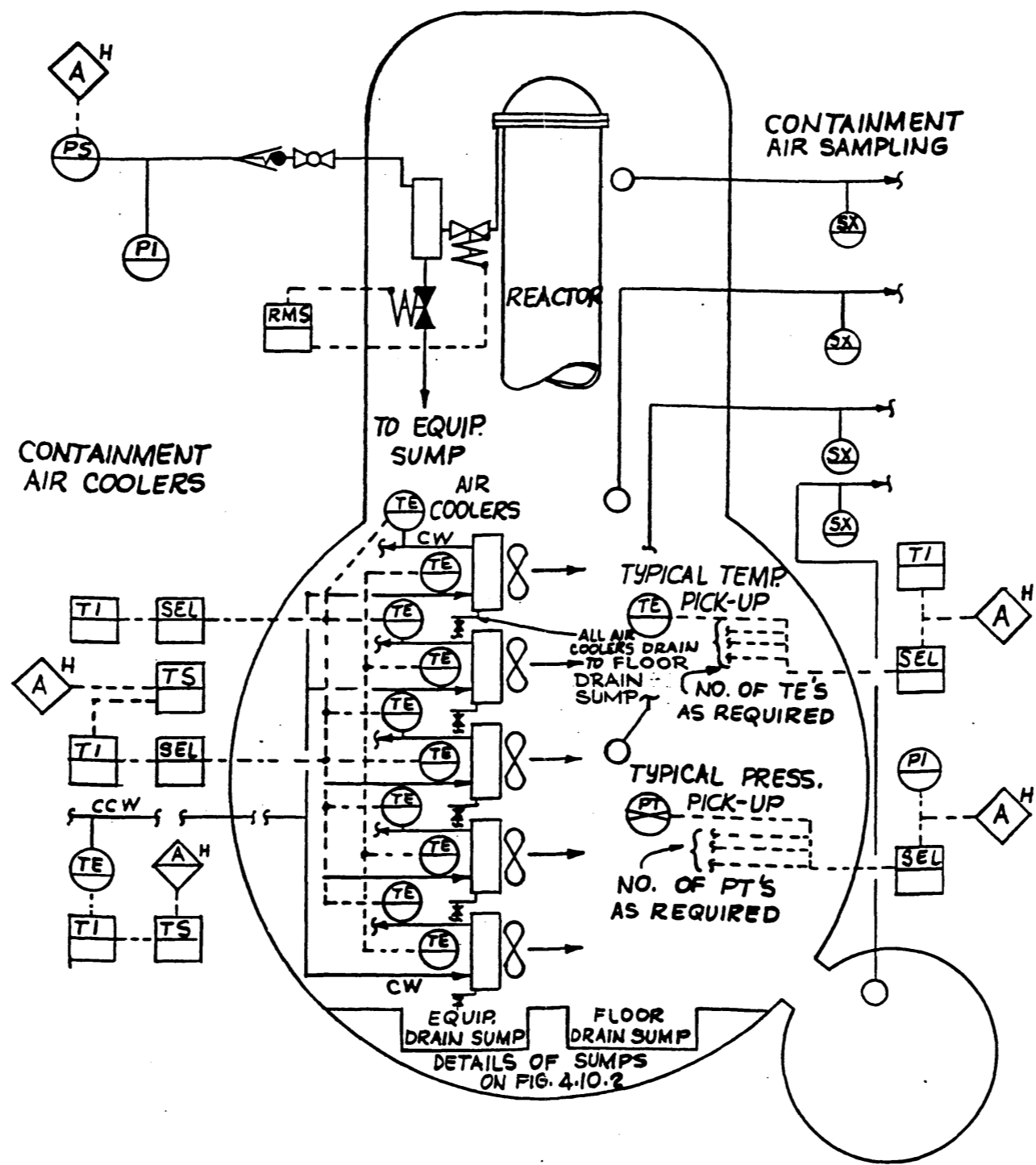
Figure 4.8.1 thru 4.8.2

Deleted



Figure 4.9.1 thru 4.9.4B

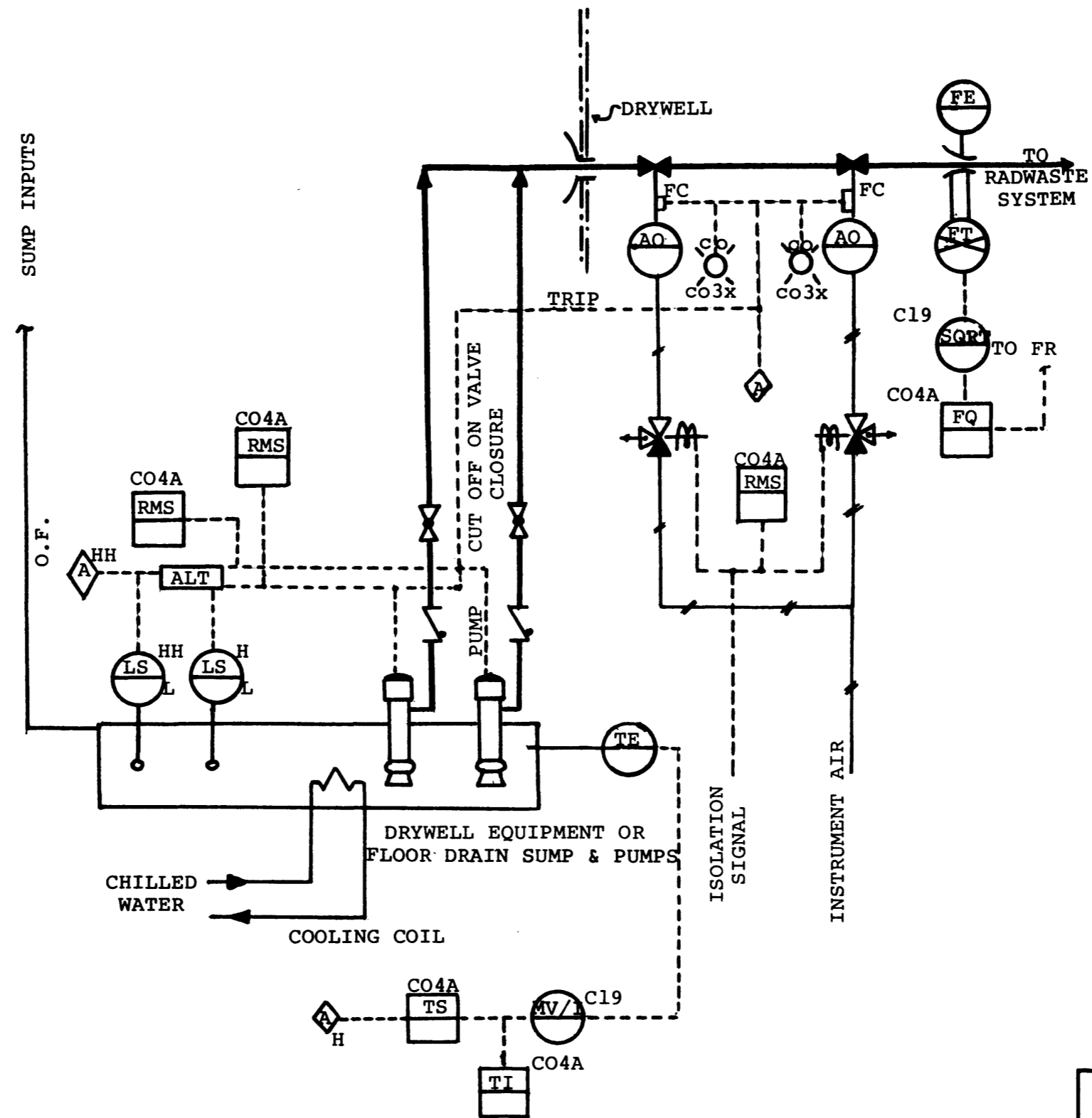
Deleted



PECO ENERGY COMPANY  
 PEACH BOTTOM ATOMIC POWER STATION  
 UNITS 2 AND 3  
 UPDATED FINAL SAFETY ANALYSIS REPORT

DRYWELL LEAK DETECTION SYSTEM  
 DIAGRAM

FIGURE 4.10.1      REV. 14 05/97



NOTE:  
 FLOOR DRAIN SUMP IS SIMILAR, EXCEPT FOR:  
 (1) ELIMINATE SUMP COOLING COIL  
 (2) ELIMINATE SUMP TE, TI & TS

PHILADELPHIA ELECTRIC COMPANY PEACH BOTTOM ATOMIC POWER STATION UNITS 2 AND 3 UPDATED FINAL SAFETY ANALYSIS REPORT
DRYWELL SUMPS DIAGRAM
FIGURE 4.10.2