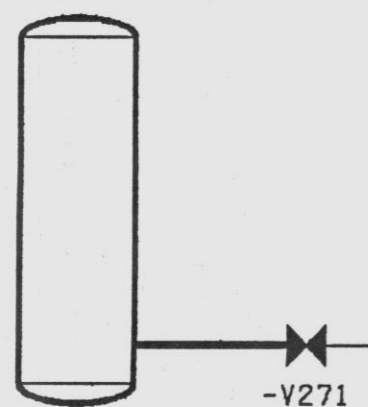
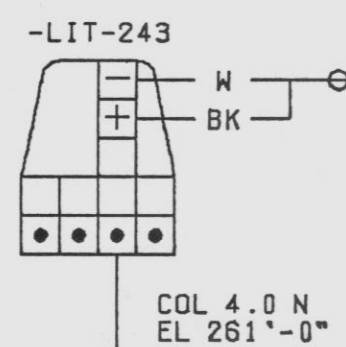
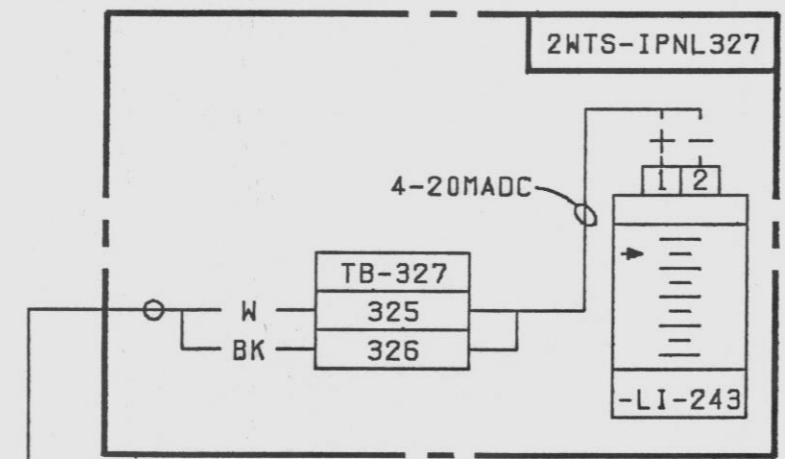
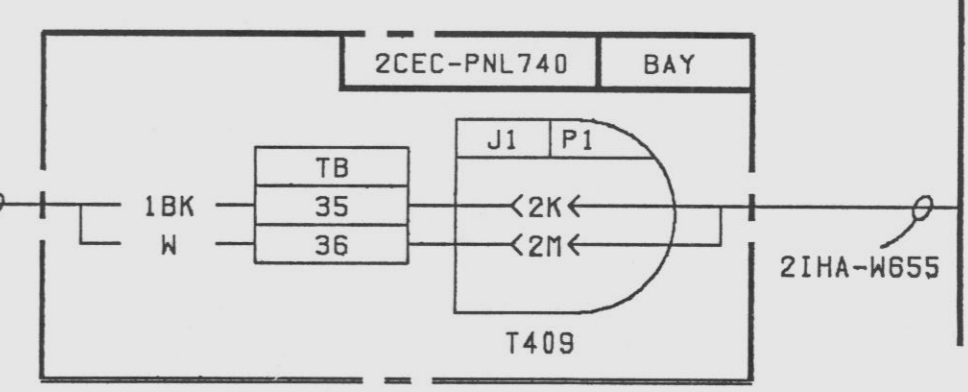
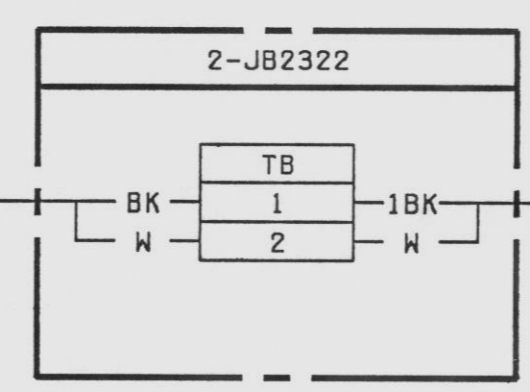
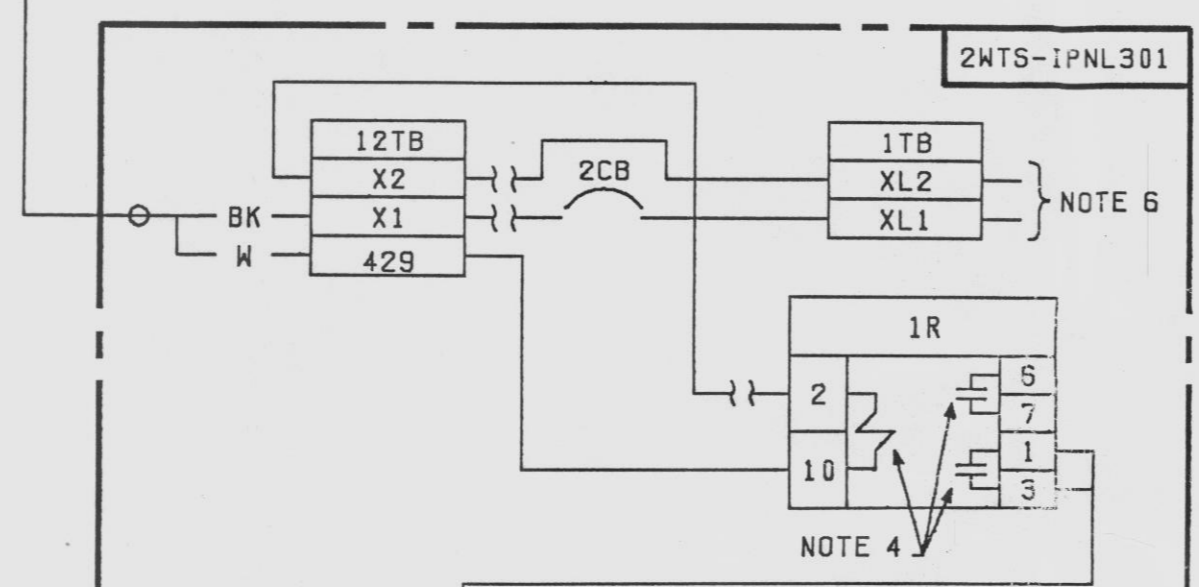
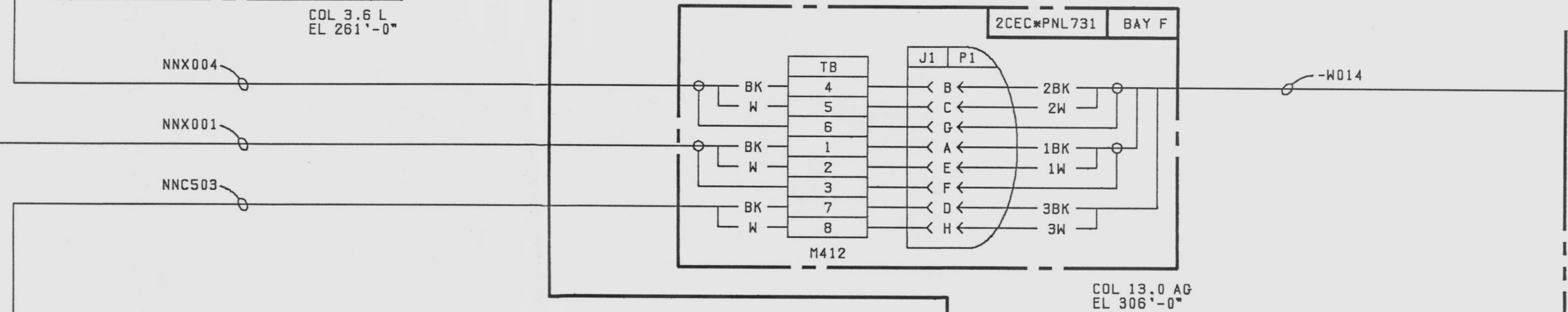


REFERENCES:

- 2WTS-243 -2
- ESK-13-1B -3
- FSK-13-1B -4
- 0007.159-451-237 -H
- 0002.530-015-045 -A
- 0002.530-015-039 -O
- 0002.530-015-184 -A
- 0002.530-015-084 -E
- EE-3BU -1
- E&DCR-C43310
- E&DCR-F40381
- EE-20A -1
- EE-20F -1
- EE-20B -1
- ACN-018178
- EE-3RN -1



SCREENWELL BUILDING



CONTROL BUILDING

QA CAT II

NOTES:

1. FOR TEST PURPOSES ONLY-NOT TO BE USED FOR CONSTRUCTION.
2. ALL INSTRUMENT AND EQUIPMENT NUMBERS ARE TO BE PREFIXED WITH "2WTS" EXCEPT WHERE A DIFFERENT PREFIX IS SHOWN.
3. LOOP ACTION: LIT-243 MONITORS MAKE-UP WASTE NEUTRALIZING TANK (TK1) LEVEL AND PROVIDES A LEVEL SIGNAL TO COMPUTER, LI-243 AND LSH-243 VIA PWS-243. LSH-243 ACTUATES ON HIGH LEVEL TO INHIBIT THE START OF THE REGENERATION CYCLE AND ENERGIZE THE COMPUTER AND LOCAL AND REMOTE ANNUNCIATOR ALARMS.
4. 1R ENERGIZES ON HIGH LEVEL TO: CLOSE CONTACT 1,3 TO ENERGIZE ALARMS. CLOSE CONTACT 6,7 TO PROVIDE INPUT TO THE MODICON CONTROLLER (CHANNEL 1, INPUT 6), TO INHIBIT THE START OF THE REGENERATION CYCLE.
5. NORMALLY OPEN CONTACTS OPEN ON HIGH LEVEL. NORMALLY CLOSED CONTACTS CLOSE ON HIGH LEVEL.
6. 120VAC FROM 2SCA-PNLA103, CKT#2.

DATE	DATE	DATE	DATE	DATE
4 PREPARED	3 PREPARED	2 PREPARED	1 PREPARED	0 PREPARED
4 APPROVED	3 APPROVED	2 APPROVED	1 APPROVED	0 APPROVED

TEST LOOP DIAGRAM
 WASTE NUETRALIZING TK1 LEVEL
 2WTS-LIT-243
 NINE MILE POINT NUCLEAR STATION-UNIT 2
 NIAGARA MOHAWK POWER CORPORATION

STONE & WEBSTER ENGINEERING CORPORATION
 SHEET 1 OF 2
 12177-TL2WTS-114



9305030329 D

CONTINUED ON SHT-2