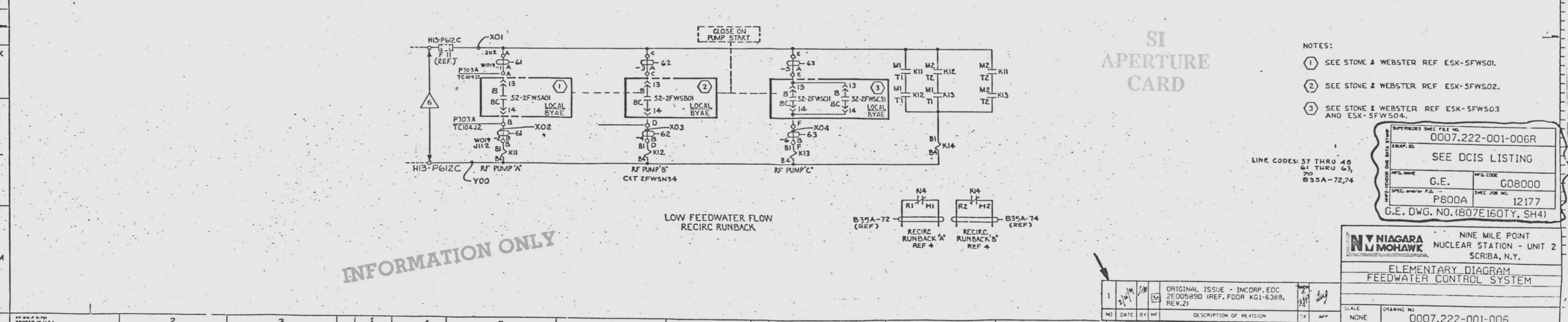
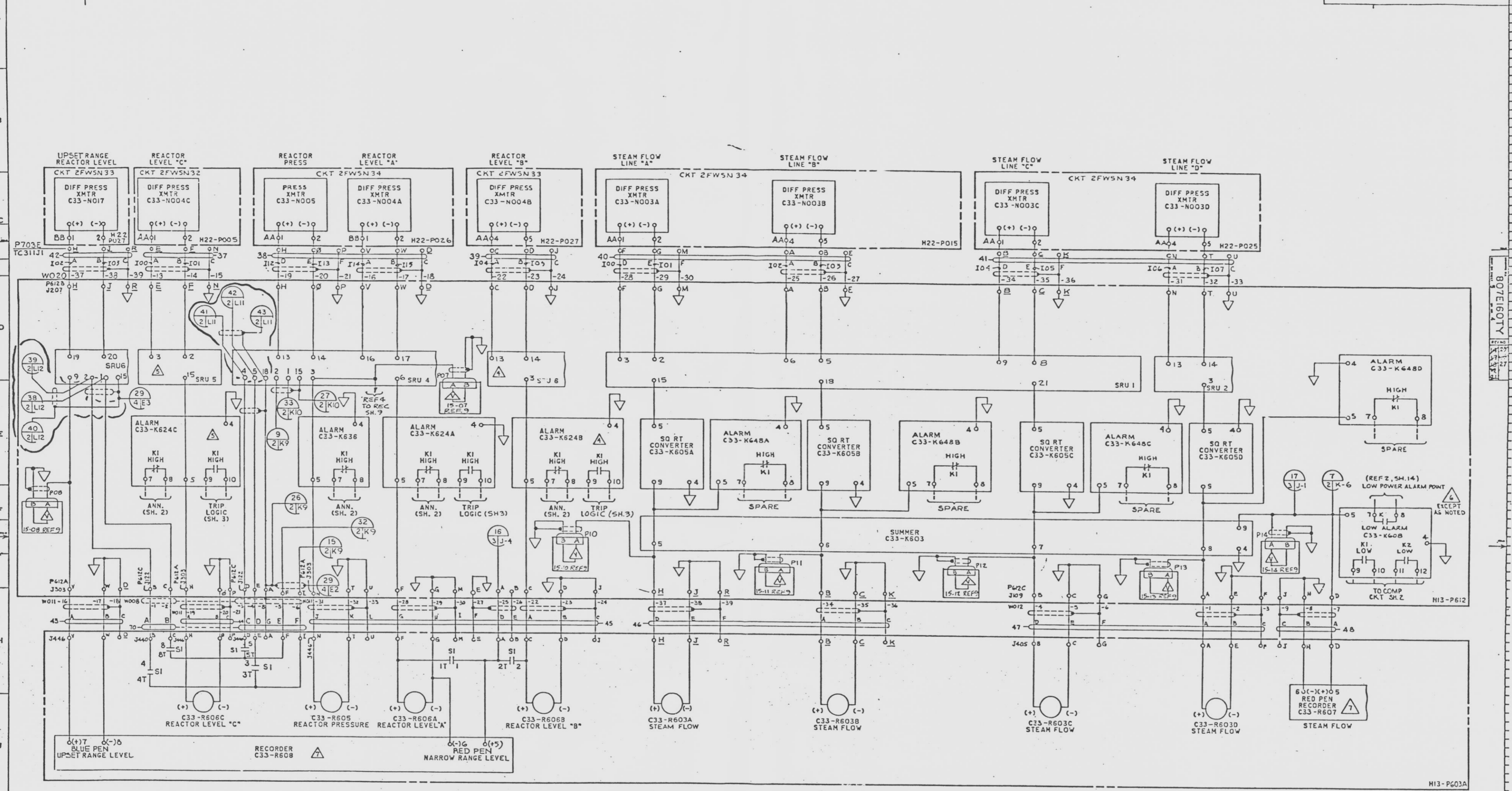


07-424-91



- NOTES:
- ① SEE STONE & WEBSTER REF ESK-5FWS01.
 - ② SEE STONE & WEBSTER REF ESK-5FWS02.
 - ③ SEE STONE & WEBSTER REF ESK-5FWS03 AND ESK-5FWS04.

SUPPLEMENTAL SHEET FILE NO.	0007.222-001-006R
REVISION	SEE DCIS LISTING
PROJECT NAME	G.E. G08000
SPECIFICATION NO.	P800A
SHEET NO.	12177
G.E. DWG. NO.	(807E160TY, SH4)

NINE MILE POINT
NUCLEAR STATION - UNIT 2
SCRIBA, N.Y.

ELEMENTARY DIAGRAM
FEEDWATER CONTROL SYSTEM

NO.	DATE	BY	DESCRIPTION OF REVISION	SCALE	DRAWING NO.
1			ORIGINAL ISSUE - INCORP. EDC 2E005890 (REF. FDOOR K01-6388, REV.2)	NONE	0007.222-001-006

INFORMATION ONLY

9305100227