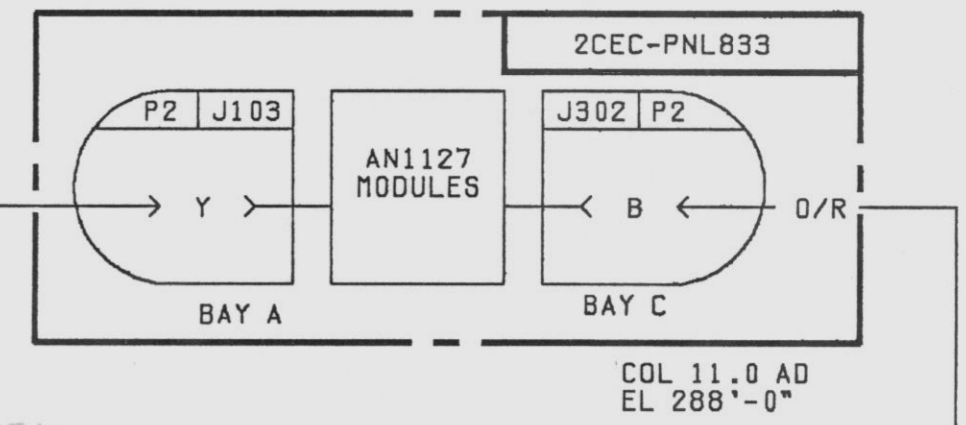
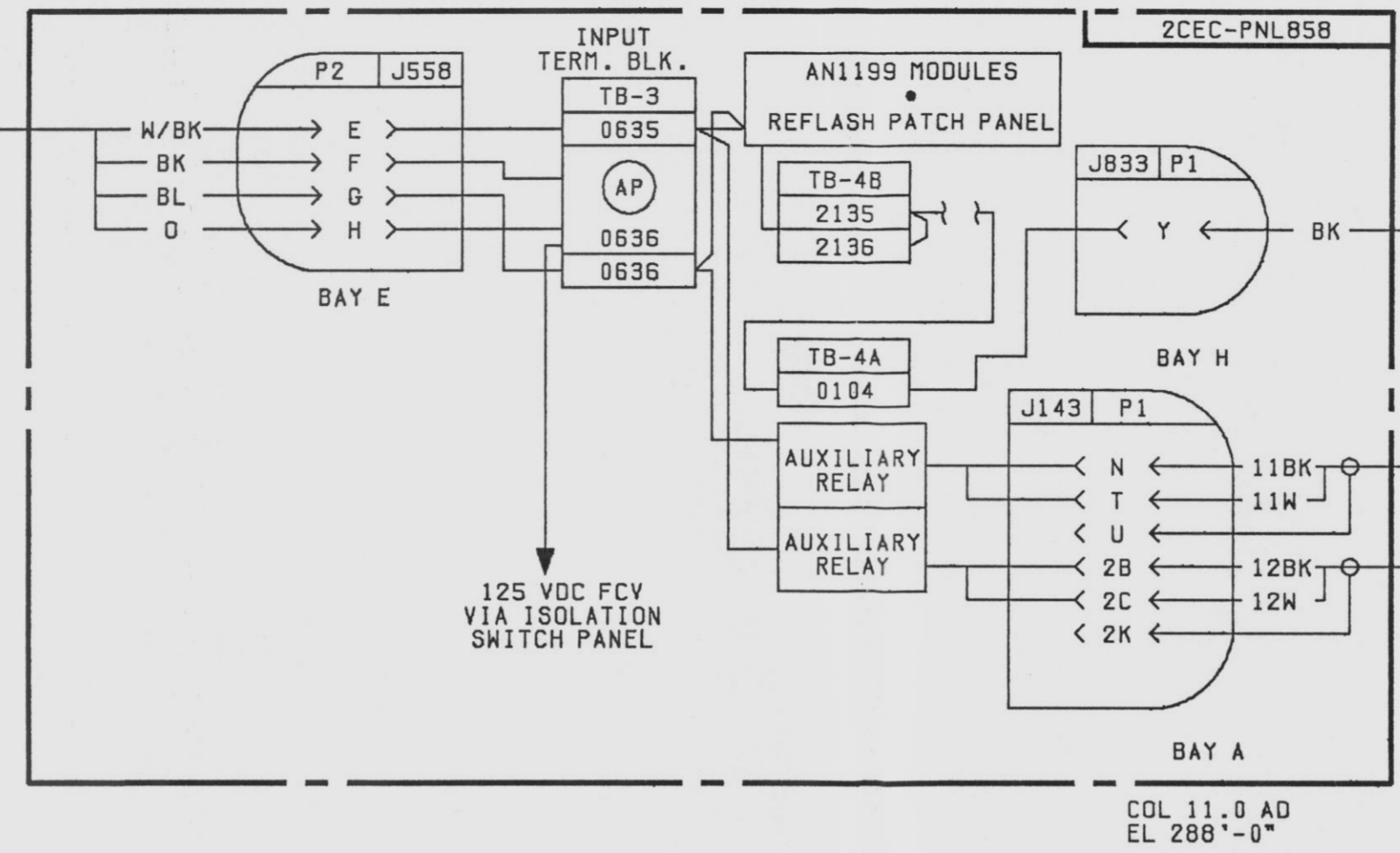
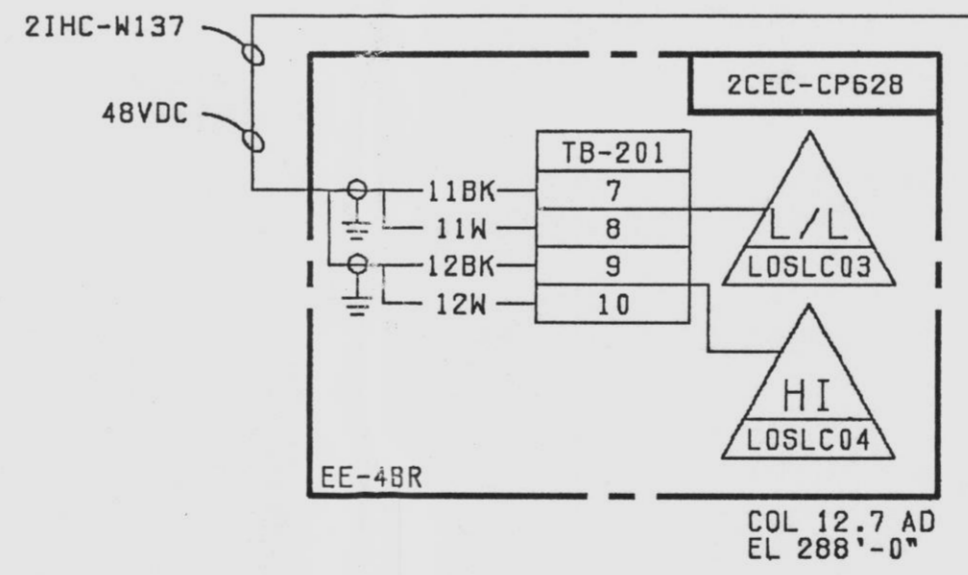
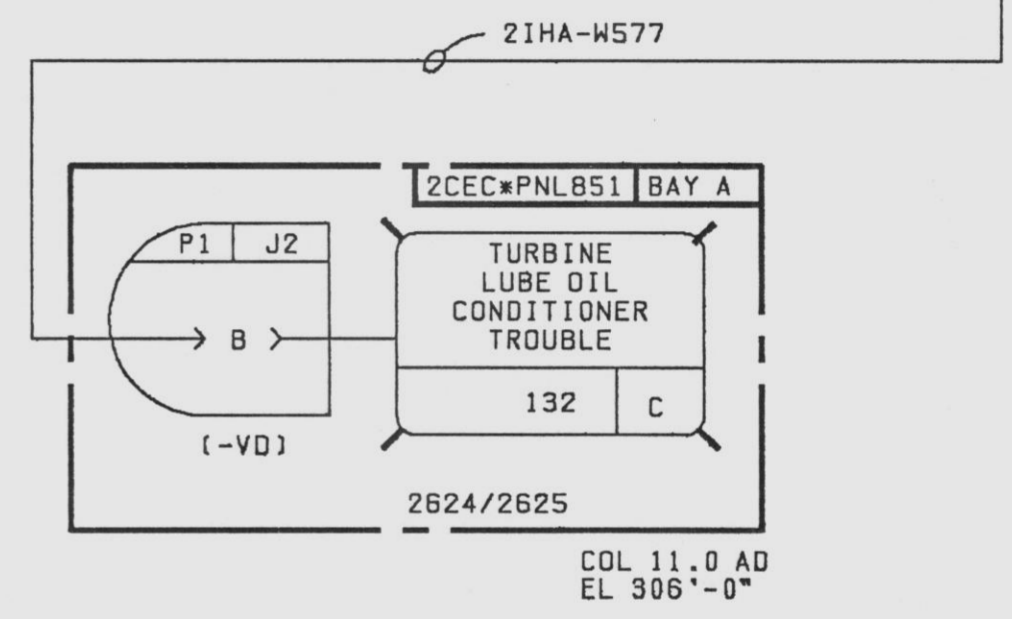


CONTINUED FROM SHEET 2



SI APERTURE CARD



9305100029

QA CAT II

INFORMATION ONLY

TEST LOOP DIAGRAM  
DIRTY OIL STORAGE TANK TK2 LEVEL  
2LOS-LIT-126

---

NINE MILE POINT NUCLEAR STATION-UNIT 2  
NIAGARA MOHAWK POWER CORPORATION

---

STONE & WEBSTER ENGINEERING CORPORATION

---

SHEET 3 OF 3  
12177-TL2LOS-001

9305100029