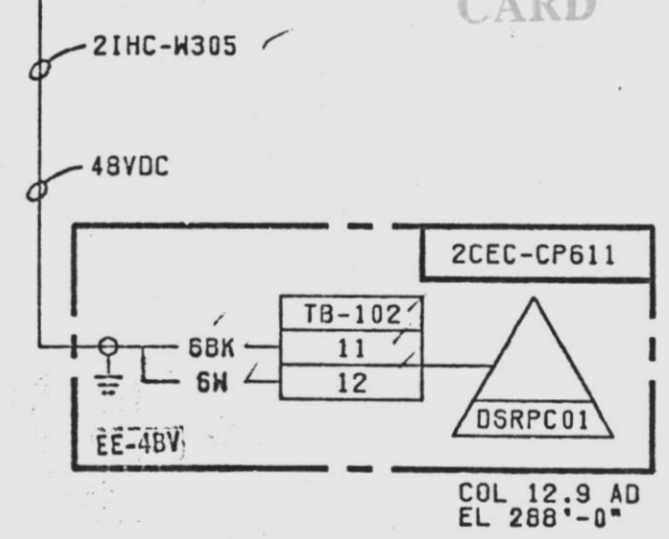
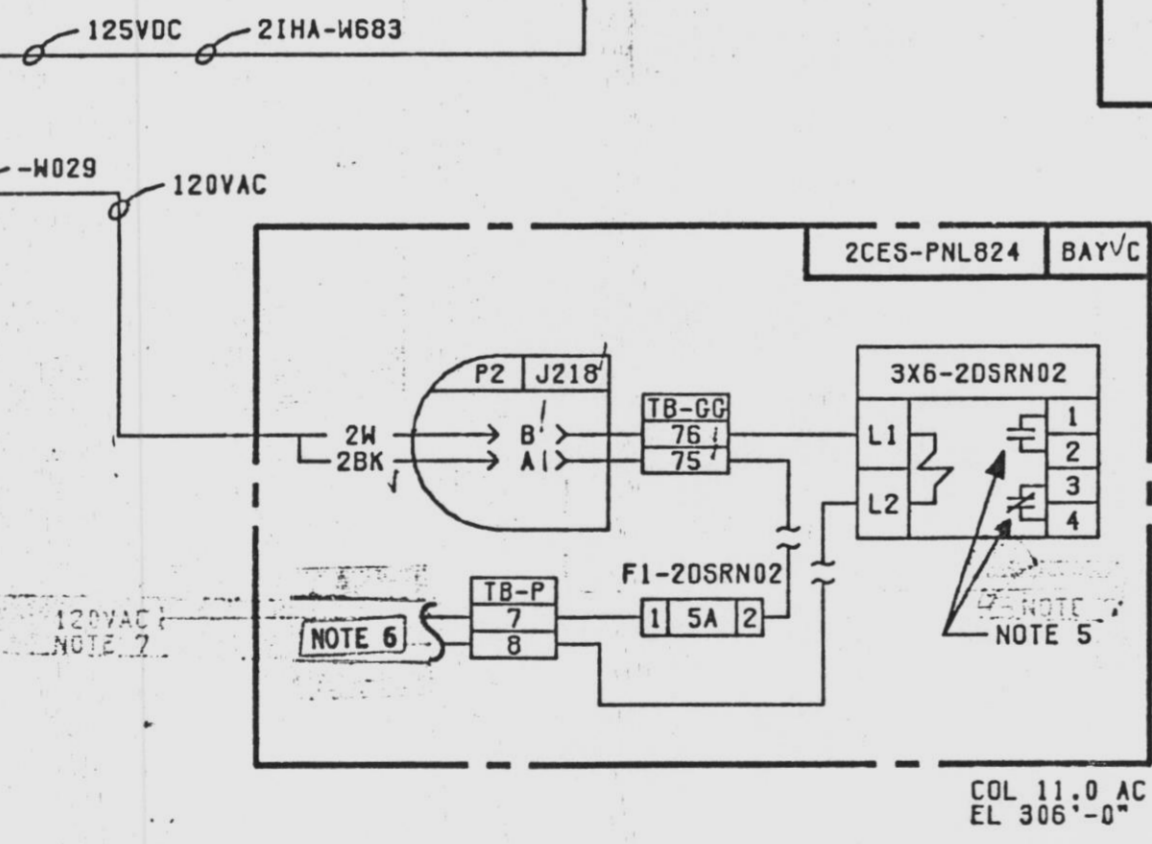
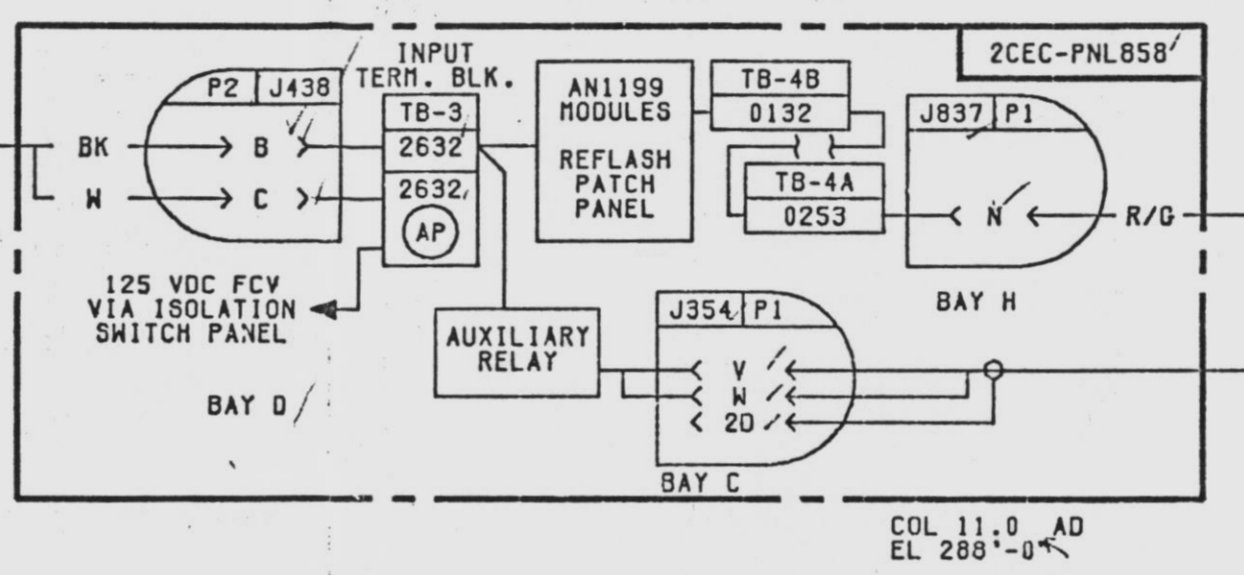
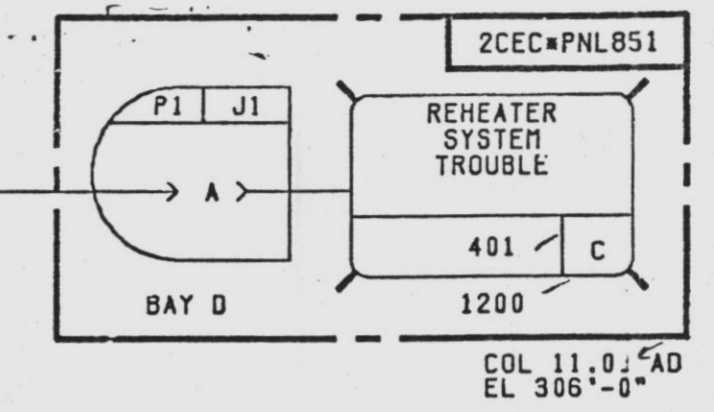
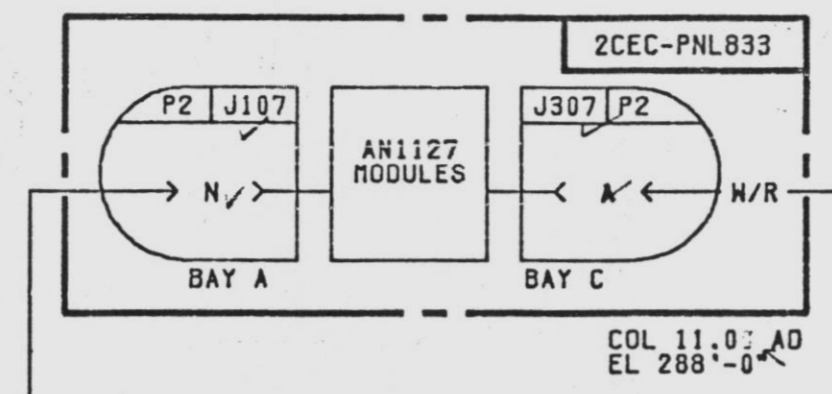
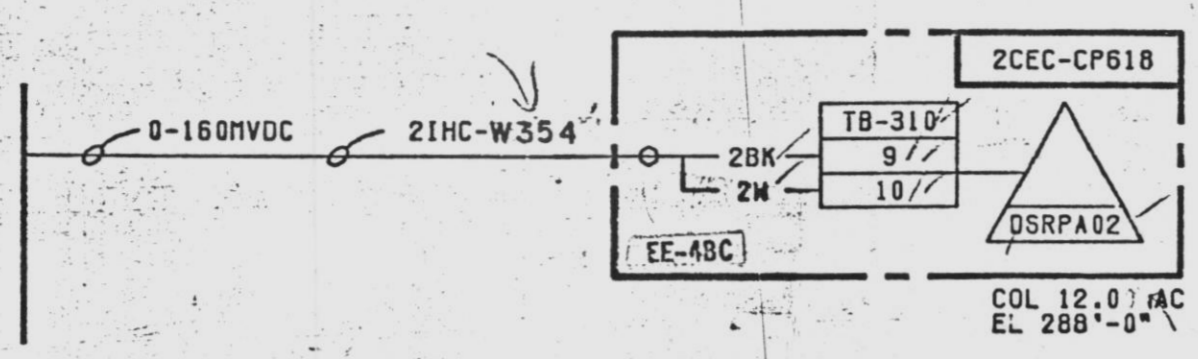


FOR INFORMATION ONLY

CONT'D FROM SHEET 1



SI APERTURE CARD

CONTROL BUILDING

QA CAT II

TEST LOOP DIAGRAM
 SCAVENGING STEAM LINE A PRESSURE
 2DSR-PT-78A

NINE MILE POINT NUCLEAR STATION-UNIT 2
 NIAGARA MOHAWK POWER CORPORATION
 STONE & WEBSTER ENGINEERING CORPORATION

SHEET 2 OF 2
 12177-TL2DSR-015

9305070292

FOR INFORMATION ONLY