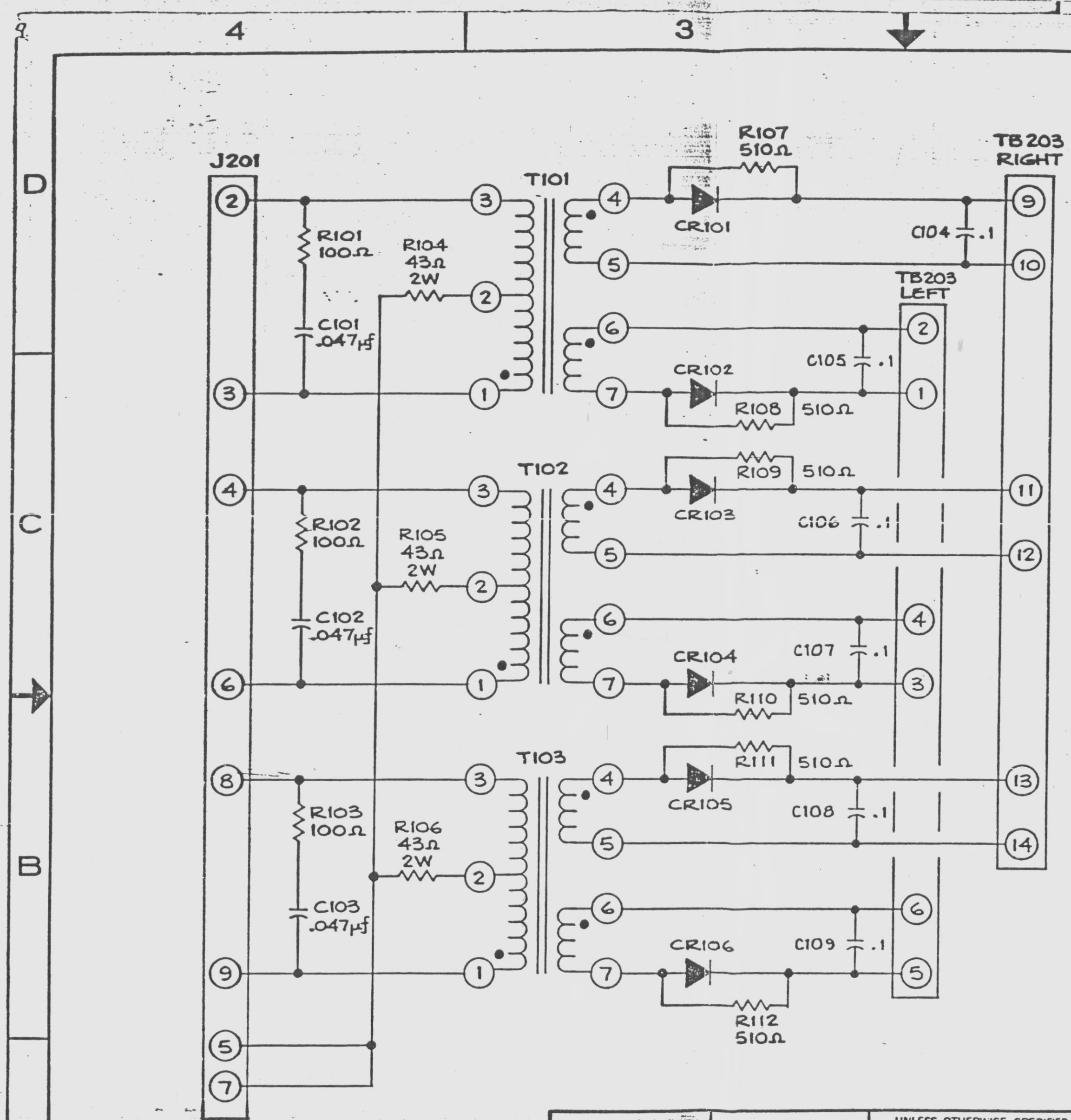


REVISIONS				
ZONE	LTR	DESCRIPTION	DATE	APPROVE
61		ADDED C104 - C109 ECN 1020 T.N.	1-10-80	4/11-14
A		ECN 1926	5-28-81	4/15-29



3. ALL TRANSFORMERS ARE ELGAR #991-052-90.
 2. ALL RESISTORS ARE 1/2 W.
 1. ALL DIODES ARE 1N4004.
- NOTES: UNLESS OTHERWISE SPECIFIED.

UNLESS OTHERWISE SPECIFIED DIMENSIONS ARE IN INCHES. TOLERANCES ON:	
DECIMALS	FRACTIONS ANGLES
.XX = .03	= 1/32 = 1/2°
.XXX = .010	
DO NOT SCALE THIS DRAWING	
MATERIAL:	
NEXT ASSY.	USED ON
APPLICATION	
FINISH:	

CONTRACT NO.	
FIRST MADE FOR:	
APPROVAL	DATE
DRAWN DFE/DNA/PAC	2-2-79
CHECKED	
PROJ ENG H.P./M.P.	2-8-79
QA-REL	

 ELGAR CORPORATION SAN DIEGO, CALIFORNIA		
SCHEMATIC, CHARGER GATE DRIVE BOARD UPS 103-1-132		
SIZE	CODE IDENT. NO	DRAWING NO.
C	25965	643-104-61
SCALE		SHEET 1 OF

SI
APERTURE
CARD

FOR INFORMATION ONLY

FOR PARTS LIST SEE PL

50-410
9111070103
10/31/91

D

9305070122

9305070122

07-680-91