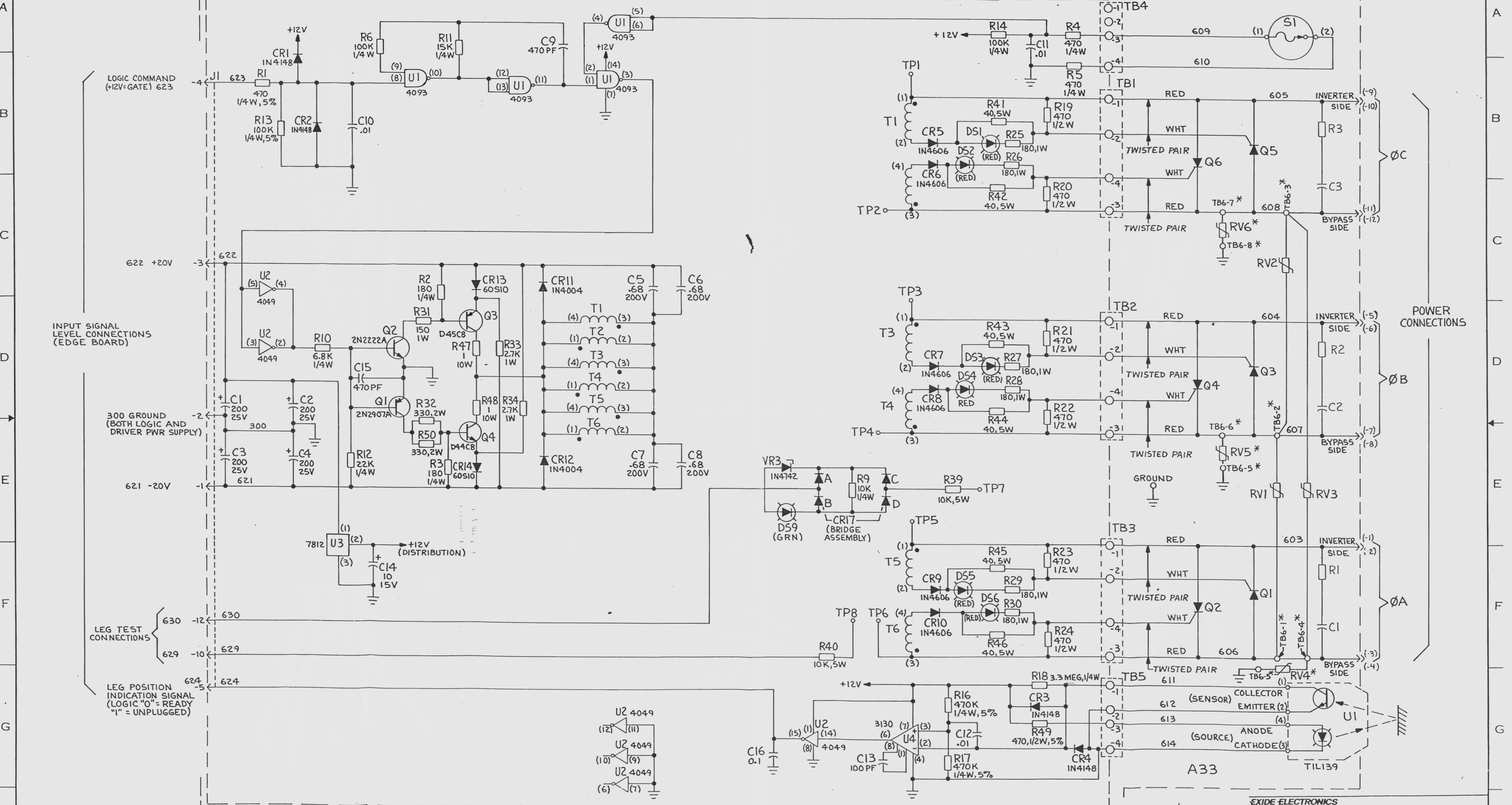


01152 011



LOGIC COMMAND (+12V-GATE) 623

INPUT SIGNAL LEVEL CONNECTIONS (EDGE BOARD)

300 GROUND (BOTH LOGIC AND DRIVER PWR SUPPLY)

LEG TEST CONNECTIONS

LEG POSITION INDICATION SIGNAL (LOGIC "0" = READY "1" = UNPLUGGED)

- NOTES:
- UNLESS OTHERWISE SPECIFIED, RESISTOR VALUES ARE IN OHMS CAPACITOR VALUES ARE IN MICROFARADS
 - * TB6 USED ONLY ON 101250877 LEG
 - * RV4-RV6 USED ONLY ON 101250877 LEG

SI APERTURE CARD

EXIDE ELECTRONICS		Revision: PA 1894		Revision: N.C. 2764	
Design	D. HAGER 5/12/83	Date	5/12/83	Computer Description	S/D ST SW E GATE CONT AB3EA
Drawn	5/12/83	Date	5/12/83	Computer Description	S/D DRAWOUT STATIC BYPASS
Checked		Date		Computer Description	PWR CKT & GATE CONTROL
Approved		Date		Computer Description	MODULE (A33 & A33A1)
Part No.		Size	D	Doc No.	110 251 140
Sheet	1	Of	1	Customer No.	

9305070034

50-410 9/11/07/103 10/31/91 E 07 590 91