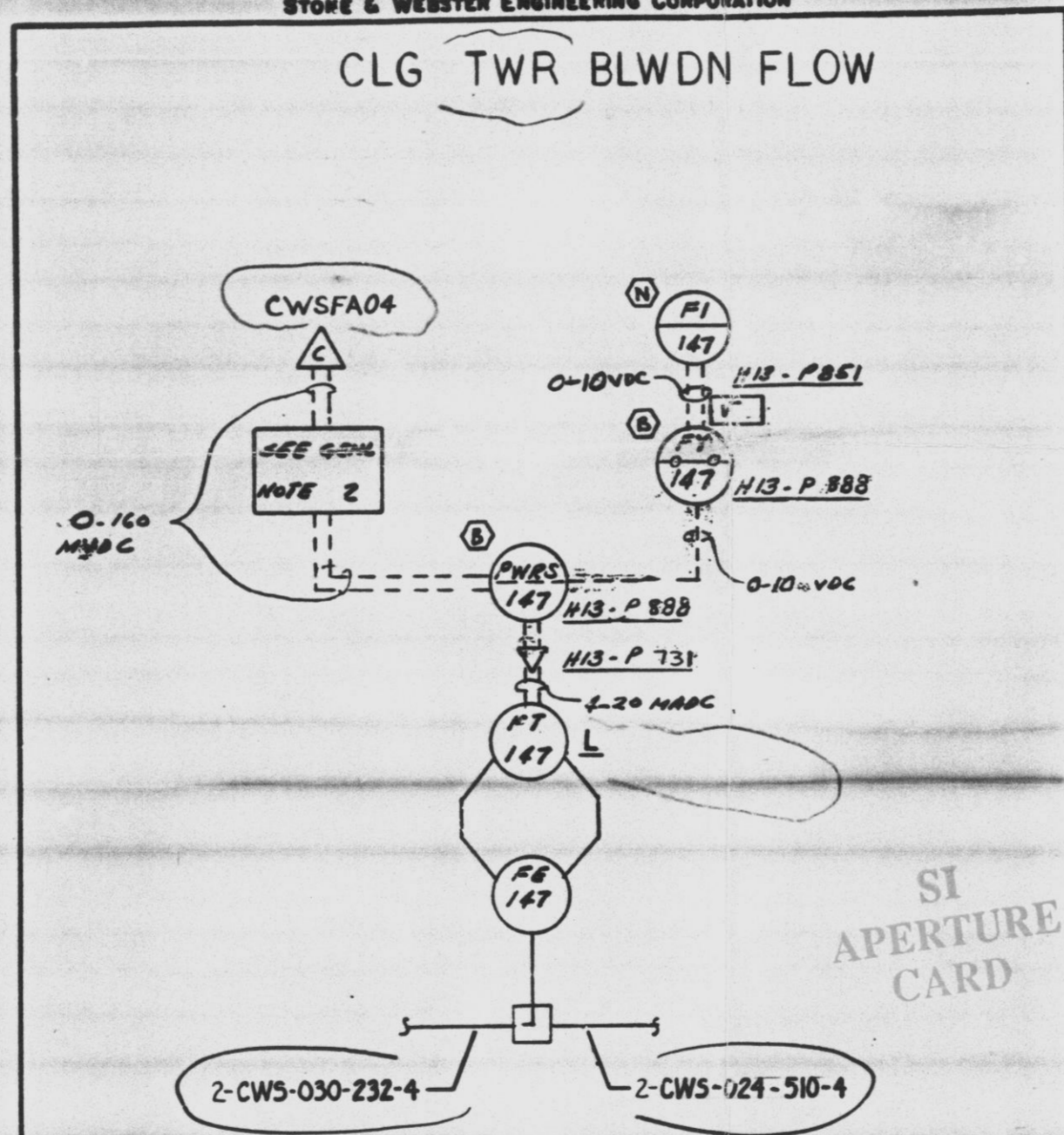


STONE & WEBSTER ENGINEERING CORPORATION

CLG TWR BLWDN FLOW



SI APERTURE CARD

REF:LSK-2-1.ID
QA CAT II

						DCI	CIRCULATING WATER SYSTEM NIAGARA MOHAWK POWER CORPORATION NINE MILE POINT NUCLEAR STATION UNIT 2	REF DWG FSK-2-1B
6	5	4	3	2	1	J.O. 12177		
							NIAGARA MOHAWK POWER CORPORATION NINE MILE POINT NUCLEAR STATION UNIT 2	LOOP DIAGRAM 2CWS-147

9305060154 D

9305060154