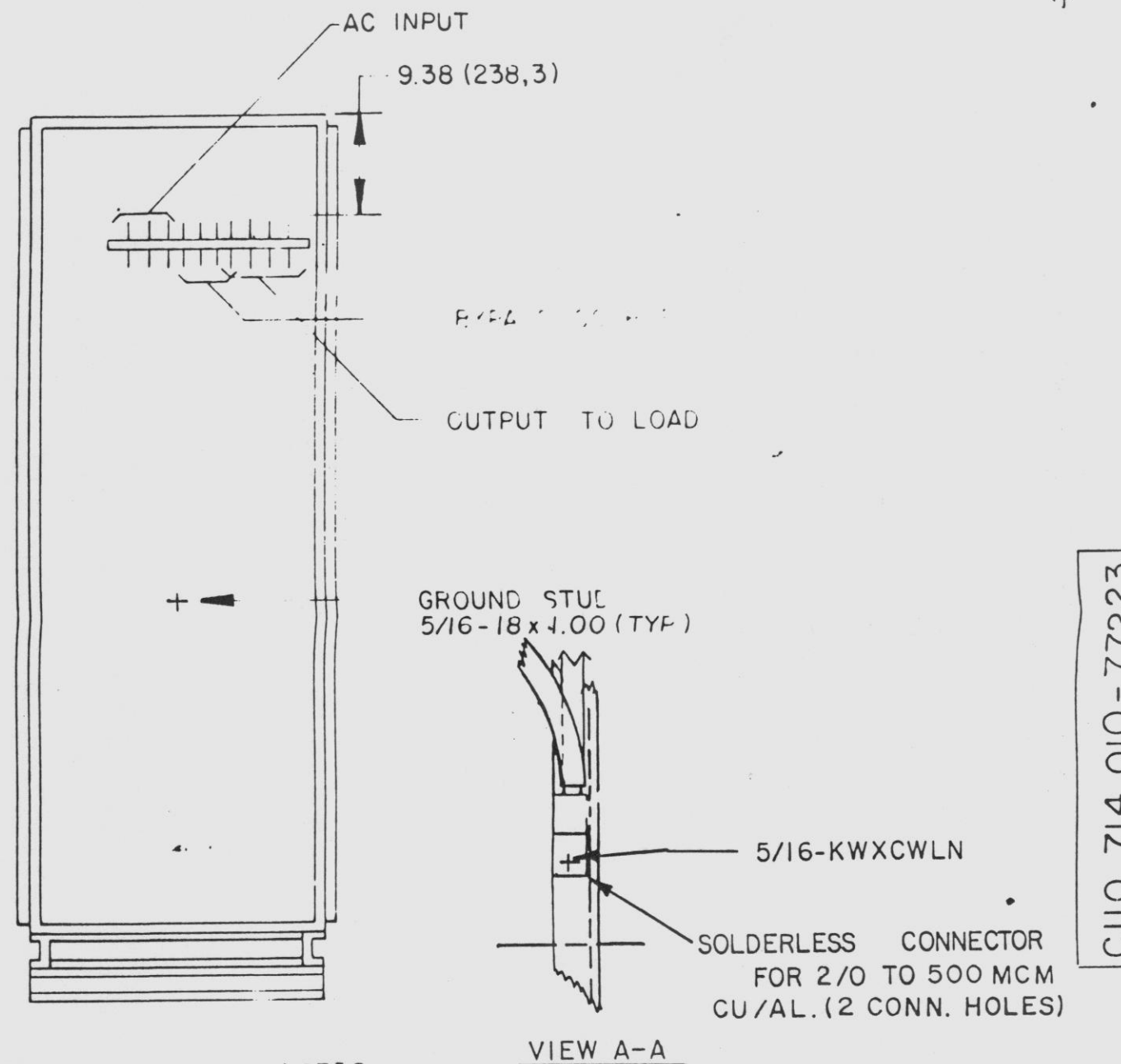
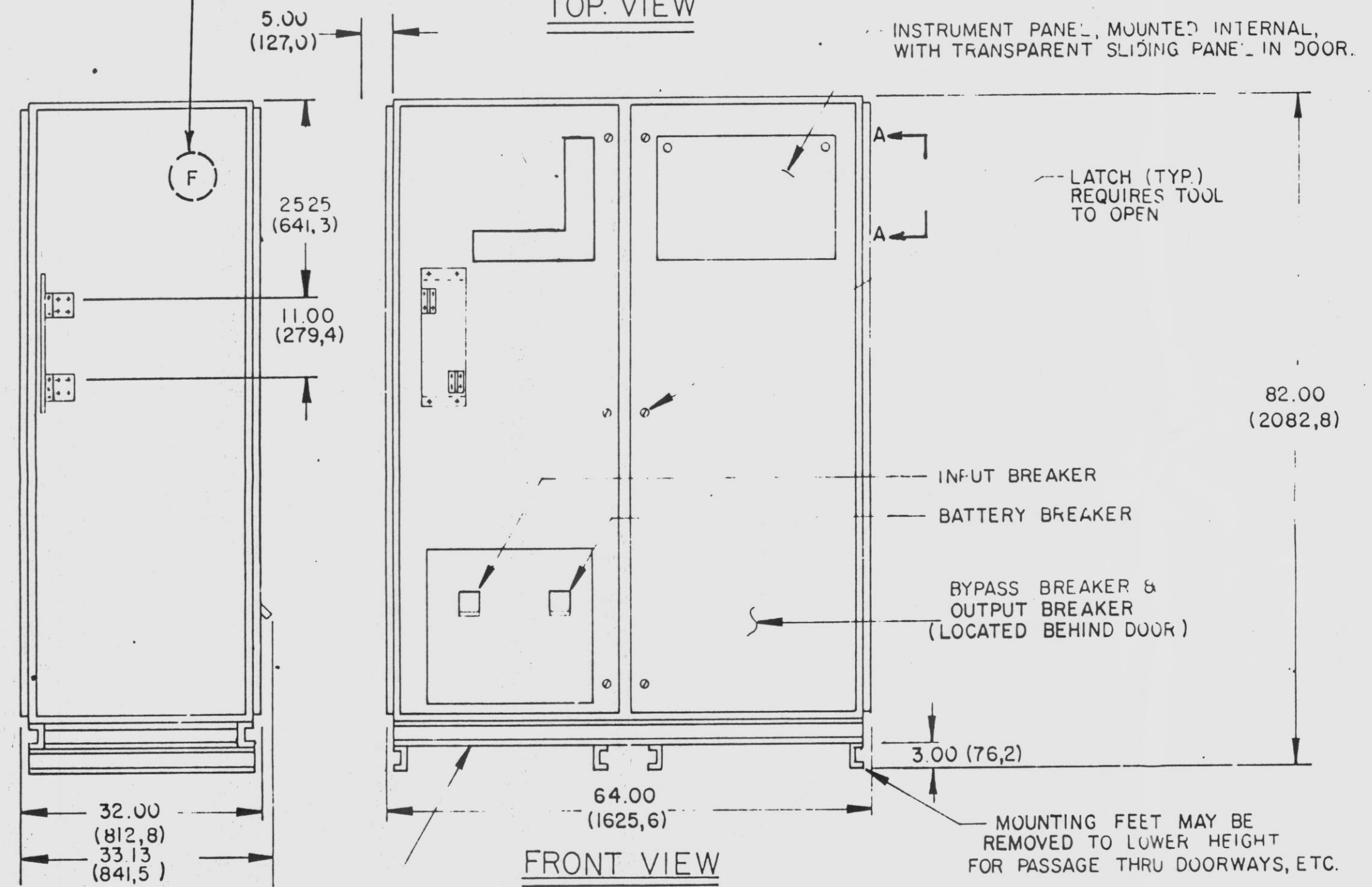
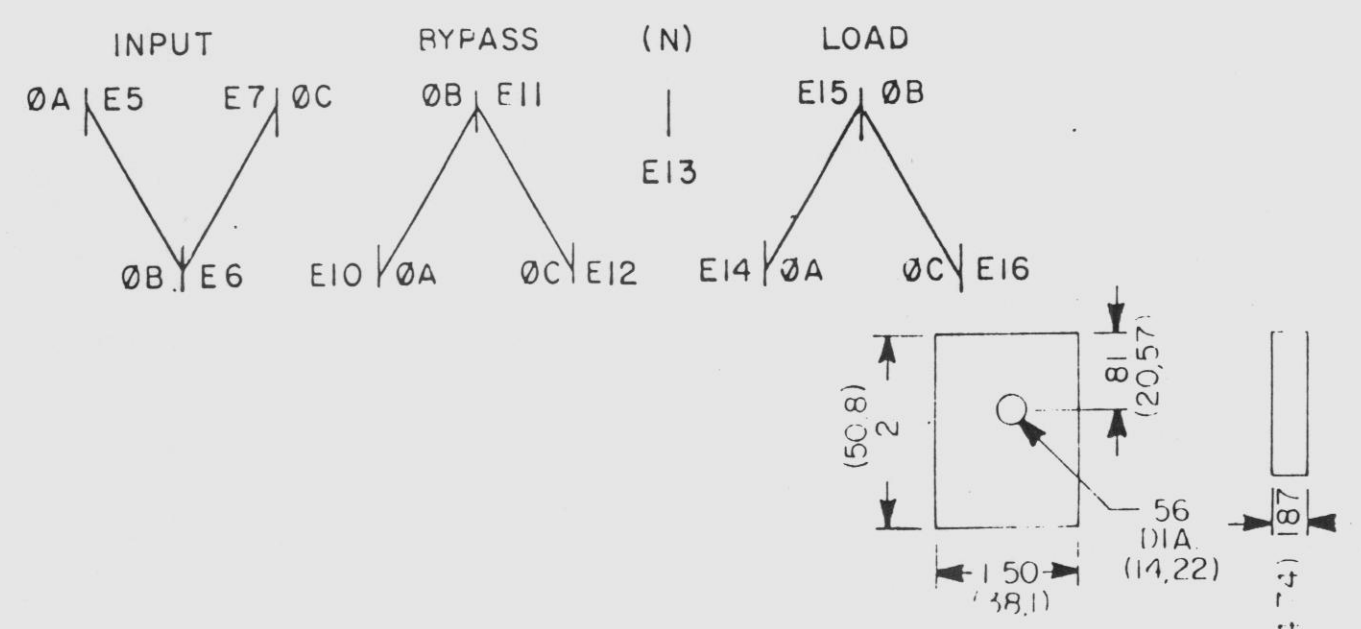
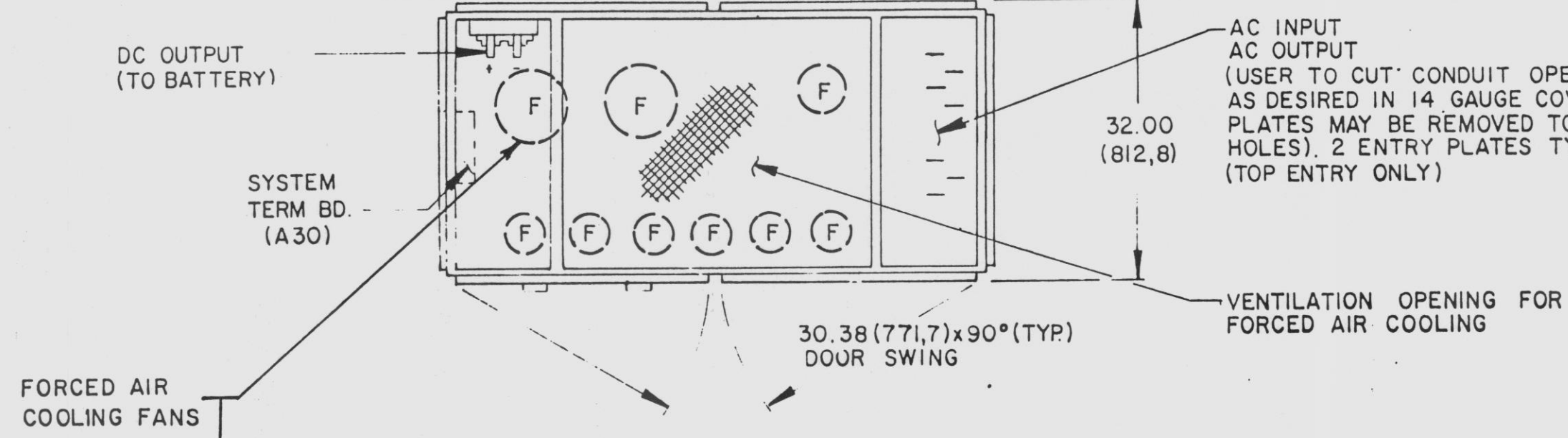


(NO BACK ACCESS REQUIRED)
WALL



- NOTES
- OVERALL DIMENSIONS DO NOT INCLUDE 25(6,35) FOR BOLT HEADS TO SECURE END AND REAR PANELS.
 - RECOMMENDED MINIMUM CLEARANCE OVER UPS MODULE IS 12.00 (304,8) INCHES.
 - DIMENSIONS ARE IN INCHES (MILLIMETERS).
 - CABINETS TO BE MAINTAINED UPRIGHT ±15° DURING HANDLING.
 - UNIT MUST BE LIFTED FROM BOTTOM FRAME.

EQUIPMENT WEIGHT:
60 KW 4,720 LBS. (2145,5 KG)

AIR CONDITION OR VENTILATION REQUIREMENT DURING NORMAL OPERATION:
60 KW 38,900 BTU'S/HR (163,38 KG CAL/MIN.)

SI APERTURE CARD

D

SHEET 1 OF 1

POWER SYSTEMS DIVISION		ESB Exide	OUTLINE
60 KW 60HZ T3			UPS
C	CN 6155-8 11/3/80 WAD	REW 3/7/80	C 110 714 010
B	CN 6155-7 4/17/80 WAD	WAD 3/7/80	
A	CN 6155-6 3/7/80 WAD		
	RN 650B-3	NTS	

C110 714 010 - 77223

9305060088

50-410 03
9110701
10/31/91