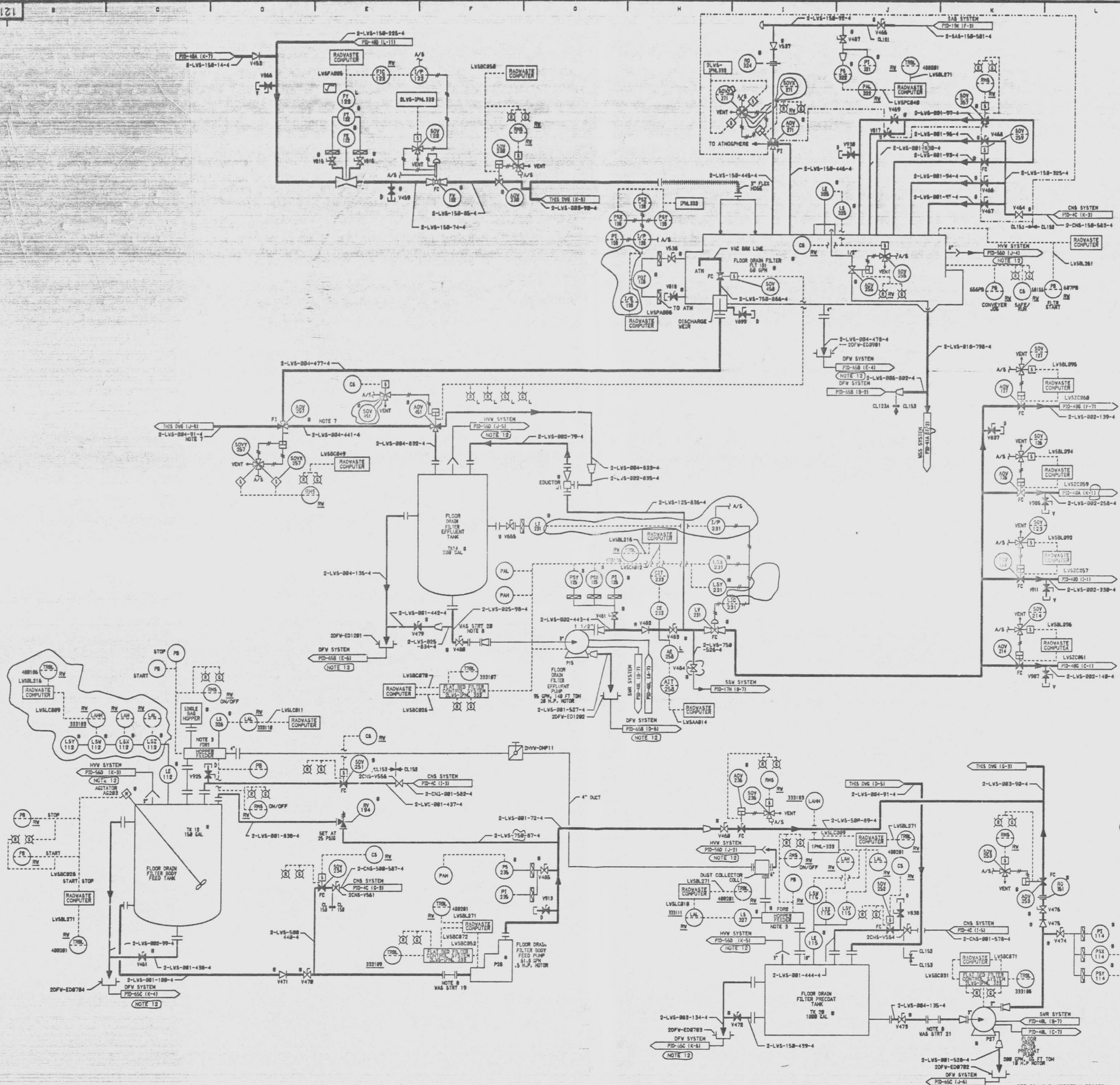


12177-PID-40E-10



MARK NUMBER	VALVE DESCRIPTION	SIZE	NO. OF VALVES
SOV458	SEE NOTE 11	3/4"	1
ADV23, 26, 27, 214	VP5015-H-4Q	1/2"	4
ADV28, 271	BY FLT VENDOR	1-1/2"	2
ADV28	BY FLT VENDOR	1/2"	1
ADV25	BY FLT VENDOR	1/2"	1
ADV25	BY FLT VENDOR	1/2"	1
ADV25, 451	BY FLT VENDOR	1/2"	2
SOV24	BY FLT VENDOR	1/2"	1
SOV21, 252, 259	BY FLT VENDOR	1/2"	4
SOV39, 7	VP5015-H-4	3/4"	18
Y87, 838, 866	VP5015-H-4	3/4"	18
Y89, 906			
Y97, 911, 913, 925			
Y938			
Y459, 461, 464, 538	BY FLT VENDOR	3/4"	7
Y815, 816, 818			
Y453	VCS068-J-4	1-1/2"	1
Y458, 474, 485, 487	BY FLT VENDOR	1/2"	4
Y461, 465, 467, 468	BY FLT VENDOR	1/2"	8
Y469, 478, 471, 479			
Y817			
Y464, 465, 472, 537	BY FLT VENDOR	1-1/2"	4
Y482, 483	BY FLT VENDOR	1/2"	2
Y473	BY FLT VENDOR	1/2"	1
Y475, 478, 655	BY FLT VENDOR	1/2"	3
Y458	BY FLT VENDOR	2-1/2"	1

- NOTES:
1. ALL INSTRUMENT AND EQUIPMENT NUMBERS TO BE PREFIXED WITH "2LVS" EXCEPT WHERE A DIFFERENT PREFIX IS SHOWN.
  2. ALL PIPING SHALL BE CLASS 159 UNLESS OTHERWISE NOTED.
  3. HOPPER FEEDERS ARE MOUNTED DIRECTLY OVER BODY FEED AND PRECIPIT TANKS.
  4. ALL INSTRUMENT CONNECTIONS TO BE 1/2" UNLESS OTHERWISE NOTED.
  5. FOR RADWASTE COMPUTER I/O SEE LOOP 2LVS-128.
  6. ——— INDICATES DISSIMILAR METAL WELD.
  7. SPRAY/DRAIN LINES, NO POCKET ALLOWED, LINES ARE SELF VENTING.
  8. TEMPORARY STRAINERS TO BE REPLACED BY PIPE SPOOL AFTER LINE CLEANING.
  9. ——— INDICATES EQUIPMENT SUPPLIED BY FLOOR DRAIN FILTER VENDOR.
  10. ALL DRAIN, VENT, FLUSH CONNECTIONS 3/4" UNLESS OTHERWISE NOTED.
  11. SOV458 PACKLESS GLOBE VALVE 1/2" B.S. SCREWED ENDS. AT82-FRASS BODY WITH RESILIENT SEAT. DIMENSIONS UNDER SPEC HE78A.
  12. NO FLAG SHOWN ON CORRESPONDING DOCUMENT. COORDINATES PROVIDE INTERFACE LOCATION.

SI APERTURE CARD

07-141-9L

QA CAT II

PIPING & INSTRUMENTATION DIAGRAM  
 RADIOACTIVE LIQUID  
 WASTE SYSTEM  
 NINE MILE POINT NUCLEAR STATION-UNIT 2  
 NIAGARA MOHAWK POWER CORPORATION  
 STONE & WEBSTER ENGINEERING CORPORATION  
 CHERRY HILL, N.J.

DRAWING NUMBER 12177-PID-40E-10  
 DESIGNED BY J. MCKELVIE  
 DRAWN BY J. MCKELVIE  
 CHECKED BY E.F. CURRAN

ISS#	DESCRIPTION	CHKD	DATE	ISSUE	DESCRIPTION	CHKD	DATE	ISSUE	DESCRIPTION	CHKD	DATE	ISSUE	DESCRIPTION	CHKD	DATE	ISSUE	DESCRIPTION	CHKD	DATE	ISSUE	DESCRIPTION
6	INCORPORATES ECH NO. LVS-658				INCORPORATES ECH NO. LVS-100				INCORPORATES ECH NO. 2H00058				ISSUED FOR COMPUTER DATA BASE UPDATE ONLY				INCORPORATES ECH NO'S. LVS-109, 114				INCORPORATES ECH NO. LVS-568

9305050064