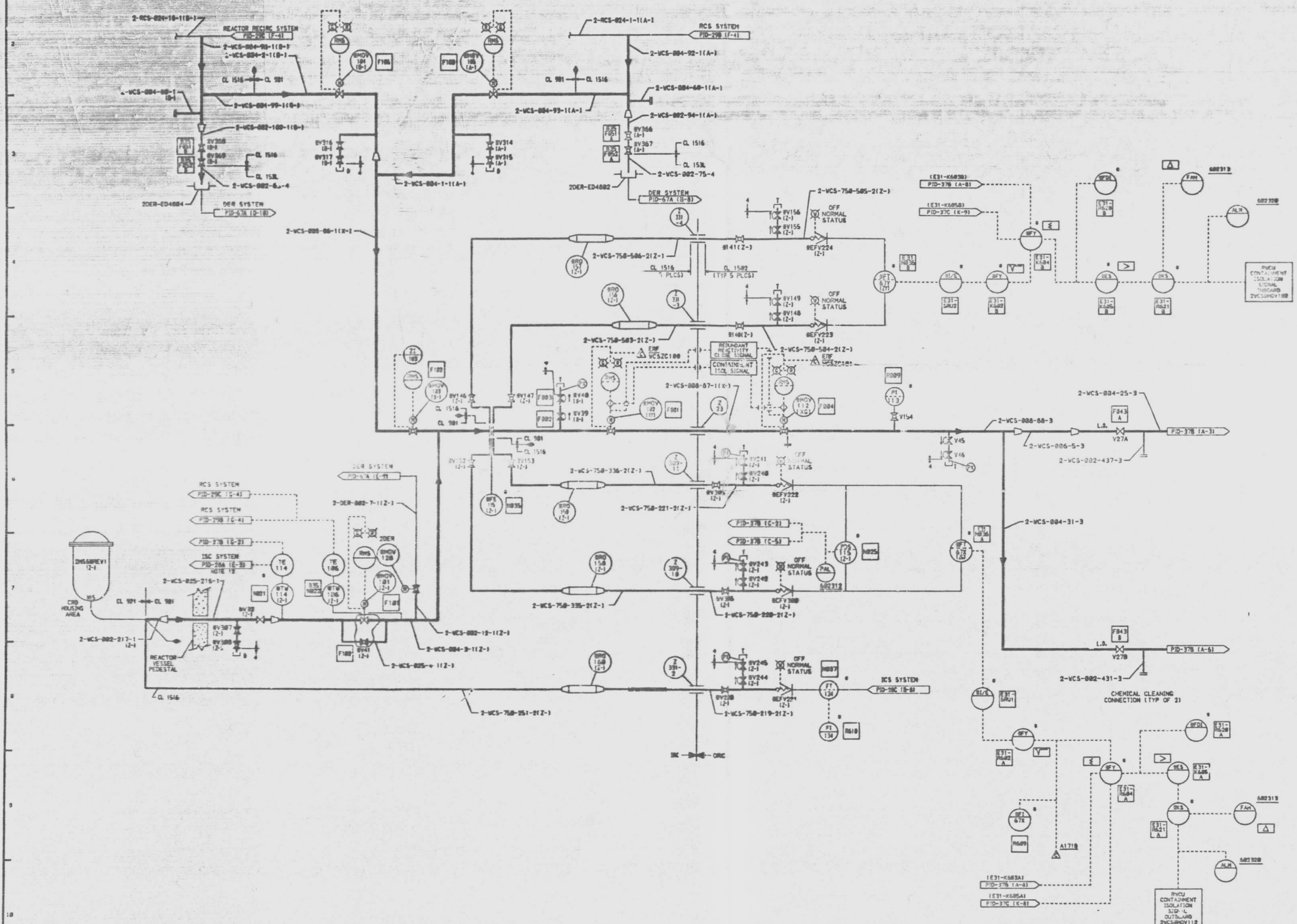


12177-PID-37A-9



NO.	DATE	BY	CHKD.
1	11/15/77	J. J.
2	11/15/77	J. J.
3	11/15/77	J. J.
4	11/15/77	J. J.
5	11/15/77	J. J.
6	11/15/77	J. J.
7	11/15/77	J. J.
8	11/15/77	J. J.
9	11/15/77	J. J.
10	11/15/77	J. J.
11	11/15/77	J. J.
12	11/15/77	J. J.
13	11/15/77	J. J.
14	11/15/77	J. J.
15	11/15/77	J. J.
16	11/15/77	J. J.
17	11/15/77	J. J.
18	11/15/77	J. J.
19	11/15/77	J. J.
20	11/15/77	J. J.
21	11/15/77	J. J.
22	11/15/77	J. J.
23	11/15/77	J. J.
24	11/15/77	J. J.
25	11/15/77	J. J.
26	11/15/77	J. J.
27	11/15/77	J. J.
28	11/15/77	J. J.
29	11/15/77	J. J.
30	11/15/77	J. J.
31	11/15/77	J. J.
32	11/15/77	J. J.
33	11/15/77	J. J.
34	11/15/77	J. J.
35	11/15/77	J. J.
36	11/15/77	J. J.
37	11/15/77	J. J.
38	11/15/77	J. J.
39	11/15/77	J. J.
40	11/15/77	J. J.
41	11/15/77	J. J.
42	11/15/77	J. J.
43	11/15/77	J. J.
44	11/15/77	J. J.
45	11/15/77	J. J.
46	11/15/77	J. J.
47	11/15/77	J. J.
48	11/15/77	J. J.
49	11/15/77	J. J.
50	11/15/77	J. J.

- NOTES:
1. ALL INSTRUMENT AND EQUIPMENT NUMBERS TO BE IDENTIFIED WITH INSTRUMENT WHICH ARE PART OF REACTOR WATER CLEANUP SYSTEM.
 2. GENERAL ELECTRIC IDENTIFICATION NUMBERS ARE SHOWN IN SQUARES 1 TO 9 IN FIGURES WITH 2331.
 3. INSTRUMENT PRESSURE, VENT, SHOWN TEST CONNECTIONS ARE 3/4" EXCEPT WHERE SHOWN OTHERWISE.
 4. ALL PIPING TO BE CLASS 150 UNLESS OTHERWISE NOTED.
 5. TEMPERATURE CONNECTIONS ARE 1/2" UNLESS OTHERWISE NOTED.
 6. LINES 1" & SMALLER WHICH ARE PART OF THE REACTOR COOLANT PRESSURE BOUNDARY SHALL BE SAFETY CLASS 2.
 7. ⚡ DENOTES DISSIMILAR METAL WELD.
 8. CHEMICAL CLEANING CONNECTIONS DO NOT REQUIRE VALVES.
 9. ⚙ DENOTES EQUIPMENT SUPPLIED BY GE-HEB.
 10. INSTRUMENTS TO BE LOCATED IN RADIATION ZONE 4, 5 OR 6 UNLESS OTHERWISE NOTED.
 11. TEST CONNECTIONS SHALL BE BRANCH CONN. FROM THE SIDE OR TOP OF MAIN PROCESS TYPING.
 12. NO FLAG SHOWN ON CORRESPONDING DOCUMENT. COORDINATES PROVIDE INTERFACE LOCATION.

SI
APERTURE
CARD

NUCLEAR SAFETY RELATED
QA CAT I & II

PIPING & INSTRUMENTATION DIAGRAM
REACTOR WATER CLEANUP
SYSTEM
NINE MILE POINT NUCLEAR STATION-UNIT 2
NIAGARA MOHAWK POWER CORPORATION
STONE & WEBB ENGINEERING CORPORATION
CHICAGO, ILL., U.S.A.

12177-PID-37A-9

NO.	DATE	BY	CHKD.	DESCRIPTION
1	11/15/77	J. J.	ISSUED FOR COMPUTER DATA BASE UPDATE ONLY
2	11/15/77	J. J.	ISSUED FOR COMPUTER DATA BASE UPDATE ONLY
3	11/15/77	J. J.	ISSUED FOR COMPUTER DATA BASE UPDATE ONLY
4	11/15/77	J. J.	ISSUED FOR COMPUTER DATA BASE UPDATE ONLY
5	11/15/77	J. J.	ISSUED FOR COMPUTER DATA BASE UPDATE ONLY
6	11/15/77	J. J.	ISSUED FOR COMPUTER DATA BASE UPDATE ONLY
7	11/15/77	J. J.	ISSUED FOR COMPUTER DATA BASE UPDATE ONLY
8	11/15/77	J. J.	ISSUED FOR COMPUTER DATA BASE UPDATE ONLY
9	11/15/77	J. J.	ISSUED FOR COMPUTER DATA BASE UPDATE ONLY
10	11/15/77	J. J.	ISSUED FOR COMPUTER DATA BASE UPDATE ONLY
11	11/15/77	J. J.	ISSUED FOR COMPUTER DATA BASE UPDATE ONLY
12	11/15/77	J. J.	ISSUED FOR COMPUTER DATA BASE UPDATE ONLY
13	11/15/77	J. J.	ISSUED FOR COMPUTER DATA BASE UPDATE ONLY
14	11/15/77	J. J.	ISSUED FOR COMPUTER DATA BASE UPDATE ONLY
15	11/15/77	J. J.	ISSUED FOR COMPUTER DATA BASE UPDATE ONLY
16	11/15/77	J. J.	ISSUED FOR COMPUTER DATA BASE UPDATE ONLY
17	11/15/77	J. J.	ISSUED FOR COMPUTER DATA BASE UPDATE ONLY
18	11/15/77	J. J.	ISSUED FOR COMPUTER DATA BASE UPDATE ONLY
19	11/15/77	J. J.	ISSUED FOR COMPUTER DATA BASE UPDATE ONLY
20	11/15/77	J. J.	ISSUED FOR COMPUTER DATA BASE UPDATE ONLY
21	11/15/77	J. J.	ISSUED FOR COMPUTER DATA BASE UPDATE ONLY
22	11/15/77	J. J.	ISSUED FOR COMPUTER DATA BASE UPDATE ONLY
23	11/15/77	J. J.	ISSUED FOR COMPUTER DATA BASE UPDATE ONLY
24	11/15/77	J. J.	ISSUED FOR COMPUTER DATA BASE UPDATE ONLY
25	11/15/77	J. J.	ISSUED FOR COMPUTER DATA BASE UPDATE ONLY
26	11/15/77	J. J.	ISSUED FOR COMPUTER DATA BASE UPDATE ONLY
27	11/15/77	J. J.	ISSUED FOR COMPUTER DATA BASE UPDATE ONLY
28	11/15/77	J. J.	ISSUED FOR COMPUTER DATA BASE UPDATE ONLY
29	11/15/77	J. J.	ISSUED FOR COMPUTER DATA BASE UPDATE ONLY
30	11/15/77	J. J.	ISSUED FOR COMPUTER DATA BASE UPDATE ONLY
31	11/15/77	J. J.	ISSUED FOR COMPUTER DATA BASE UPDATE ONLY
32	11/15/77	J. J.	ISSUED FOR COMPUTER DATA BASE UPDATE ONLY
33	11/15/77	J. J.	ISSUED FOR COMPUTER DATA BASE UPDATE ONLY
34	11/15/77	J. J.	ISSUED FOR COMPUTER DATA BASE UPDATE ONLY
35	11/15/77	J. J.	ISSUED FOR COMPUTER DATA BASE UPDATE ONLY
36	11/15/77	J. J.	ISSUED FOR COMPUTER DATA BASE UPDATE ONLY
37	11/15/77	J. J.	ISSUED FOR COMPUTER DATA BASE UPDATE ONLY
38	11/15/77	J. J.	ISSUED FOR COMPUTER DATA BASE UPDATE ONLY
39	11/15/77	J. J.	ISSUED FOR COMPUTER DATA BASE UPDATE ONLY
40	11/15/77	J. J.	ISSUED FOR COMPUTER DATA BASE UPDATE ONLY
41	11/15/77	J. J.	ISSUED FOR COMPUTER DATA BASE UPDATE ONLY
42	11/15/77	J. J.	ISSUED FOR COMPUTER DATA BASE UPDATE ONLY
43	11/15/77	J. J.	ISSUED FOR COMPUTER DATA BASE UPDATE ONLY
44	11/15/77	J. J.	ISSUED FOR COMPUTER DATA BASE UPDATE ONLY
45	11/15/77	J. J.	ISSUED FOR COMPUTER DATA BASE UPDATE ONLY
46	11/15/77	J. J.	ISSUED FOR COMPUTER DATA BASE UPDATE ONLY
47	11/15/77	J. J.	ISSUED FOR COMPUTER DATA BASE UPDATE ONLY
48	11/15/77	J. J.	ISSUED FOR COMPUTER DATA BASE UPDATE ONLY
49	11/15/77	J. J.	ISSUED FOR COMPUTER DATA BASE UPDATE ONLY
50	11/15/77	J. J.	ISSUED FOR COMPUTER DATA BASE UPDATE ONLY

9305040407