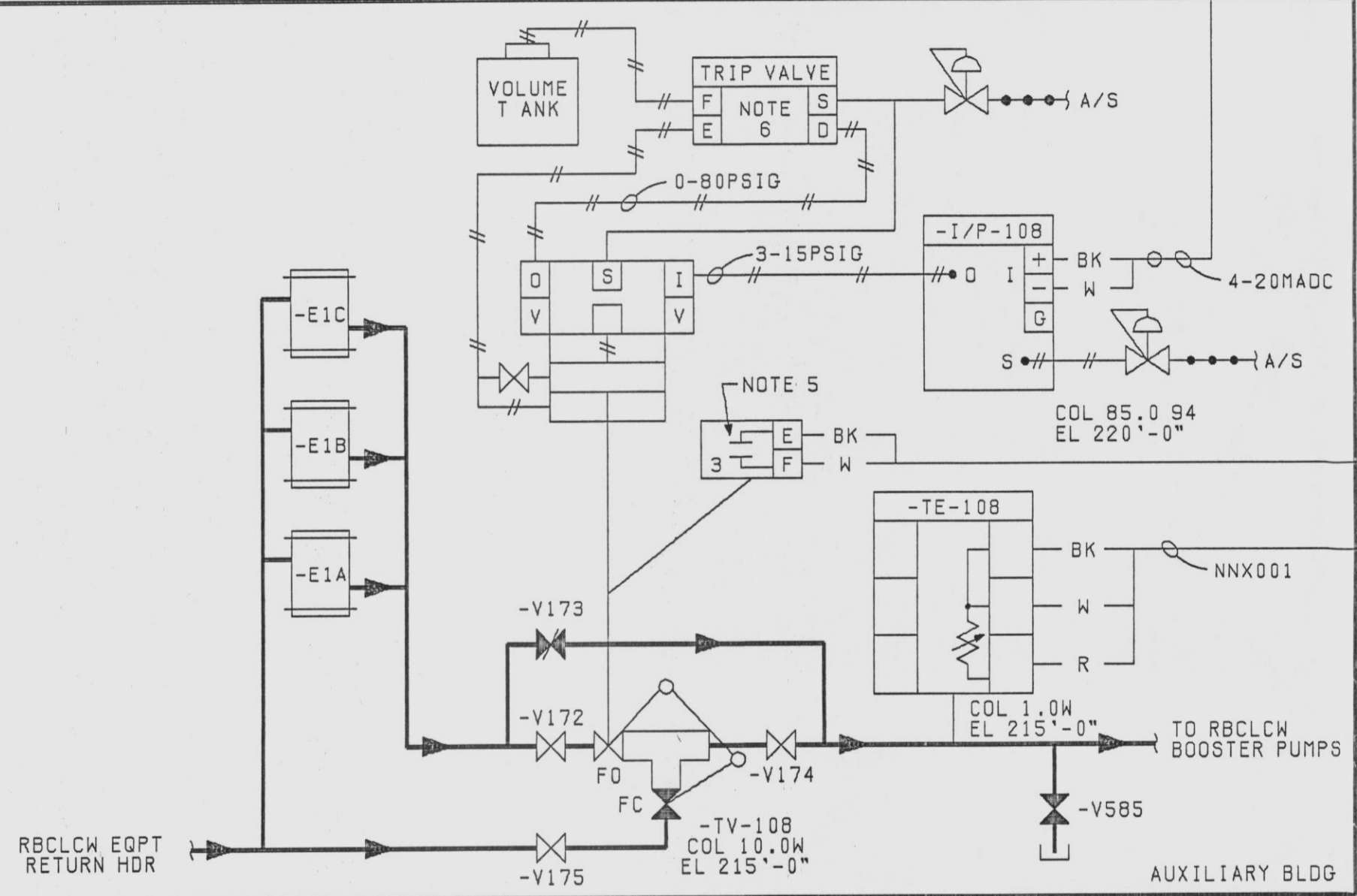


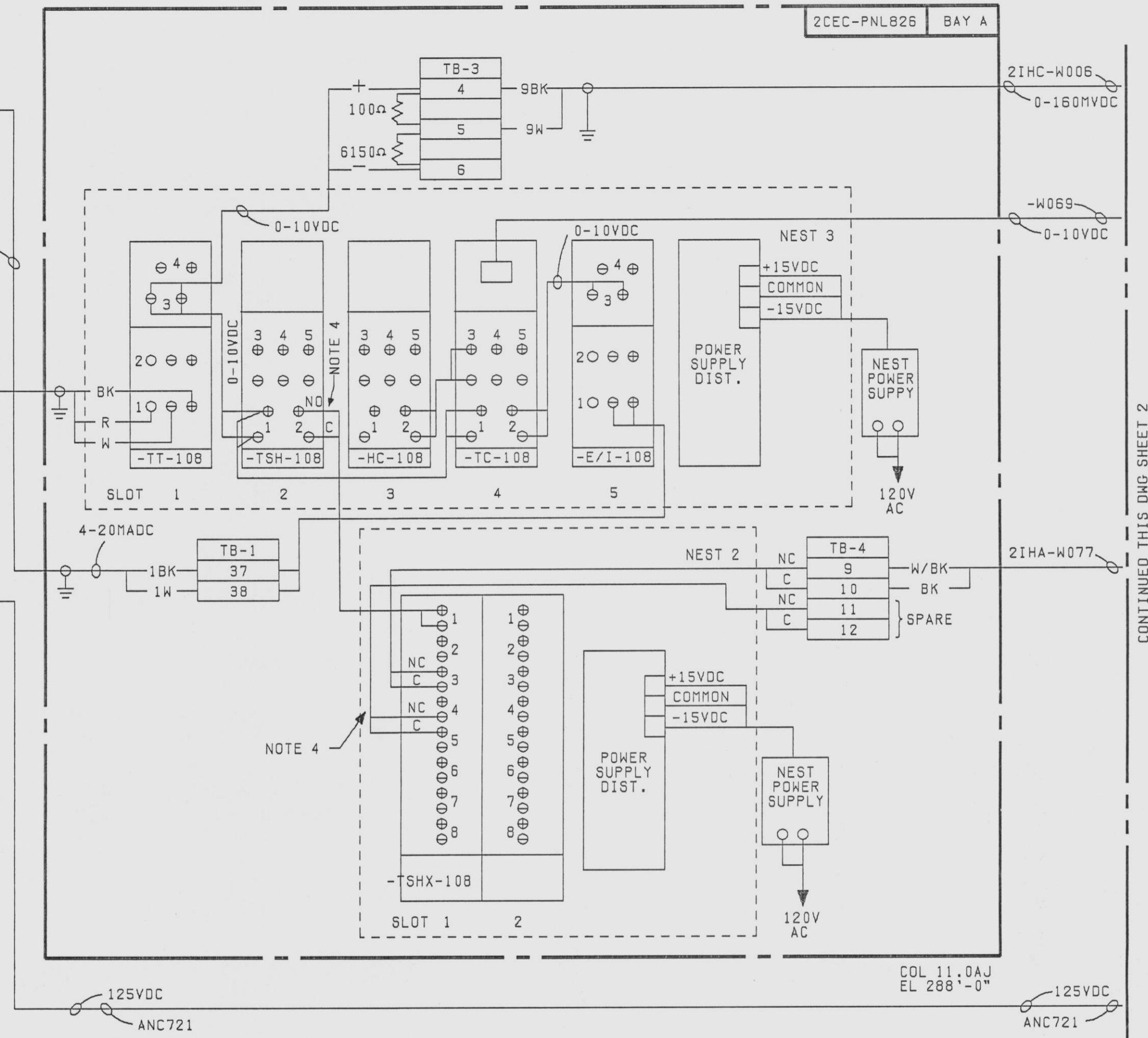
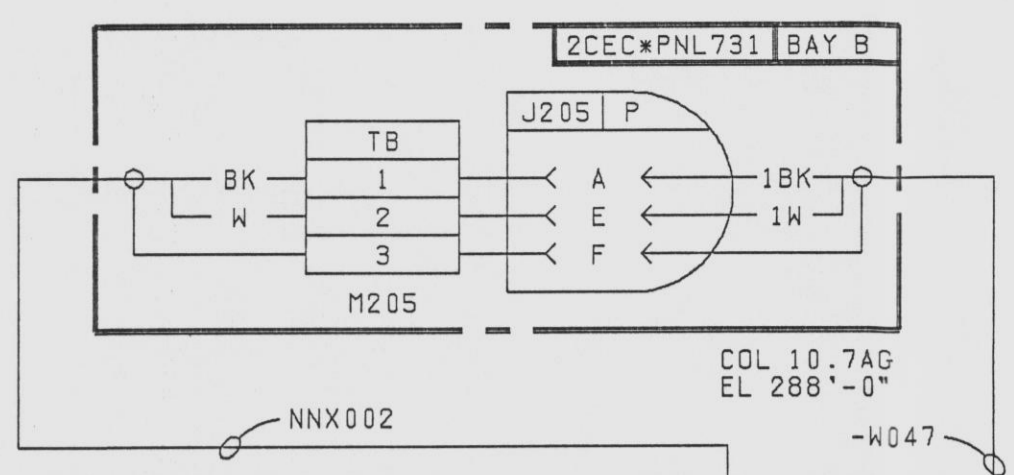
REFERENCES:

2CCP-108	-4
FSK-9-1E	-6
LSK-9-1B	-4
ESK-10IHA435	-6
0007.159-451-256	-D
EE-48Q	-1
EE-3RA	-1
ESK-7CCP02	-5
EE-3B	-2
EE-4BA	-1
EE-3 AF	-4
EE-48P	-1
EE-3DN	-4
EE-11EH	-2
ESK-10IHA433	-6



NOTES:

- FOR TEST PURPOSES ONLY-NOT TO BE USED FOR CONSTRUCTION.
- ALL INSTRUMENT AND EQUIPMENT NUMBERS ARE TO BE PREFIXED WITH "2CCP" EXCEPT WHERE A DIFFERENT PREFIX IS SHOWN.
- LOOP ACTION: TE-108 MONITORS REACTOR BUILDING CLOSED LOOP COOLING WATER TEMPERATURE FROM HEAT EXCHANGERS E1A, B, C AND PROVIDES A TEMPERATURE SIGNAL TO COMPUTER. TSH-108 AND TC-108 VIA TT-108. TC-108 COMPARES THAT TEMPERATURE SIGNAL TO A SETPOINT PROVIDED BY HC-108 WHEN TIK-108 IS IN AUTO AND PROVIDES AN ERROR SIGNAL TO MODULATE TV-108 VIA E/I-108 AND I/P-108. WHEN TIK-108 IS IN MANUAL, TIK-108 WILL PROVIDE A SIGNAL TO POSITION TV-108 VIA TC-108, E/I-108 AND I/P-108. TSH-108 ACTUATES ON HIGH TEMP, ACTUATING TSHX-108 TO ENERGIZE COMPUTER AND ANNUNCIATOR ALARMS. TV-108 ACTUATES COMPUTER AND ANNUNCIATOR ALARMS WHEN THE VALVE IS IN FULL BYPASS POSITION.
- NORMALLY OPEN (NO) CONTACTS OPEN ON HIGH TEMP NORMALLY CLOSED (NC) CONTACTS CLOSE ON HIGH TEMP.
- CONTACT CLOSURES WHEN VALVE IS IN FULL BYPASS POSITION.
- TRIP VALVE TRIPS ON LOW SUPPLY PRESSURE PROVIDING VOLUME TANK PRESSURE (PORTS F TO E) AND VENTING ACTUATOR TOP CYLINDER PRESSURE TO POSITION -TV-108 TO FULL FLOW THROUGH HEAT EXCHANGERS POSITION. TRIP VALVE RESETS ON NORMAL SUPPLY PRESSURE ENABLING CONTROL SIGNAL PRESSURE (PORTS D TO E) TO MODULATE TV-108.



INFORMATION ONLY

SI APERTURE CARD

QA CAT II

TEST LOOP DIAGRAM
 RBCLCW TEMPERATURE FROM E1A, B, C
 2CCP-TT-108, -TV-108
 NINE MILE POINT NUCLEAR STATION-UNIT 2
 NIAGARA MOHAWK POWER CORPORATION

STONE & WEBSTER ENGINEERING CORPORATION

DATE	DATE	DATE	DATE	DATE
PREPARED	PREPARED	PREPARED	PREPARED	PREPARED
APPROVED	APPROVED	APPROVED	APPROVED	APPROVED

SHEET 1 OF 2

12177-TL2CCP-042

9305040336 7-12-91 9305040336

CONTINUED THIS DWG SHEET 2