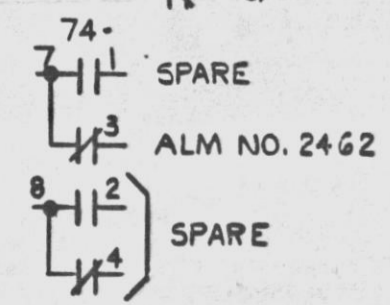
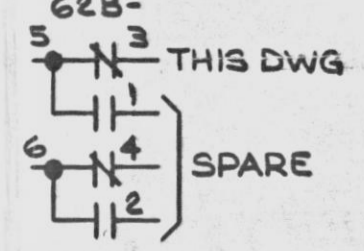
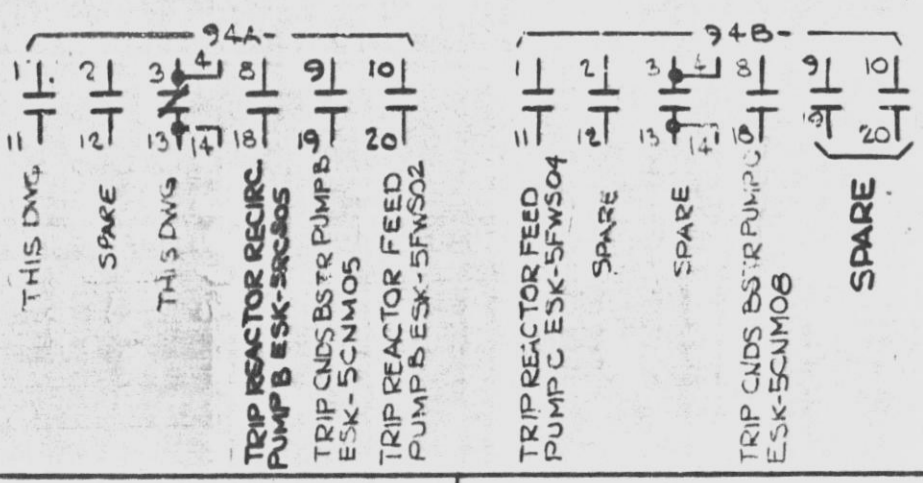
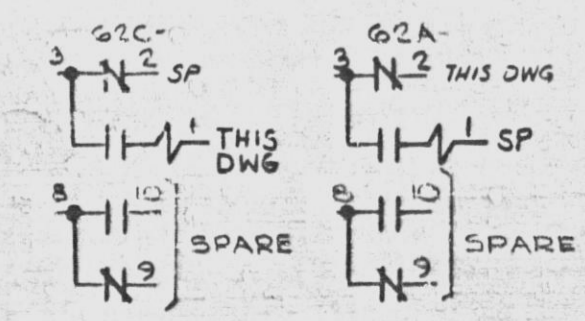


SI  
APERTURE  
CARD

- NOTES:
1. ALL EQUIPMENT LOCATED AT P813 UNLESS OTHERWISE NOTED.
  2. TO REMOVE MODIFIED RESIDUAL XFR ADD JUMPER TO POINTS 3 & 4 AND REMOVE JUMPERS POINTS 1 & 2, 5 & 6, 7 & 8 (SHOWN ON ESK-5NPS06)
  3. LSK-24-8.2.
  4. FIELD TO SET. REFER TO ELECTRICAL ER DRAWINGS.

9305040328

GE-MED ✓ GE-4576



NO CHANGE		ATI	
M	6-12-76	JRM	3/29/89
11	10 CPN-N/A	C	ECU-004
RNF		JRM	SB

QA CAT II  
DC ELEM DIAG - 13.8KV SWGR CONT  
AUTO XFR CKT BUS 2NPS - SWG003  
NINE MILE POINT NUCLEAR STATION-UNIT 2  
NIAGARA MOHAWK POWER CORPORATION  
Stone & Webster Engineering Corporation  
12177-ESK-5NPS14

9305040328

11-91  
27

D