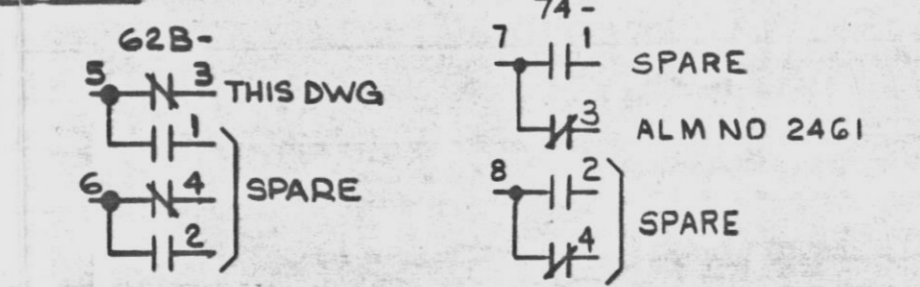
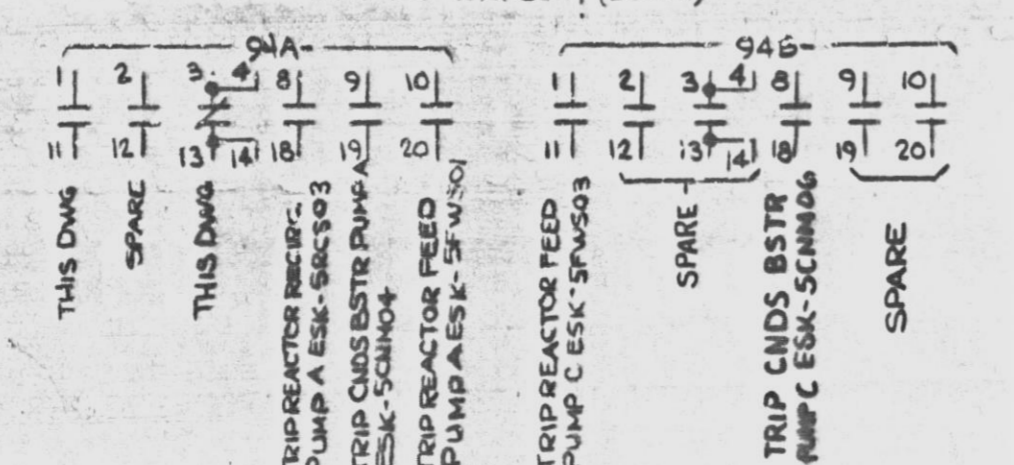
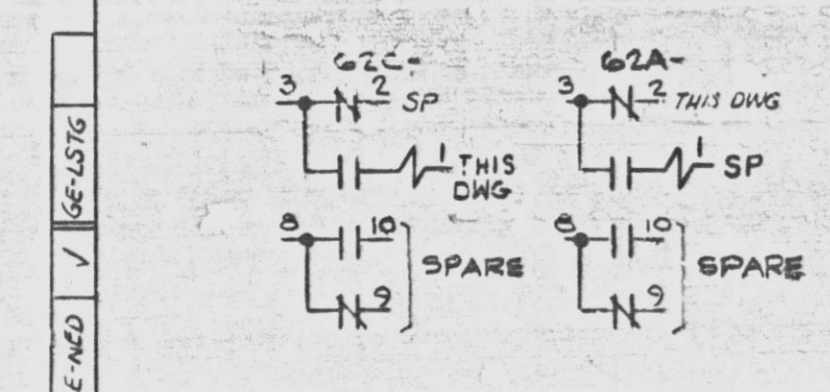


- NOTES:
1. ALL EQUIPMENT LOCATED AT P812 UNLESS OTHERWISE NOTED.
 2. TO REMOVE MODIFIED RESIDUAL XFR ADD JUMPER TO POINTS 3 & 4 & REMOVE JUMPERS FROM POINTS 1 & 2 5 & 6, 7 & 8 (SHOWN ON ESK-5NPS03)
 3. LSK-24-8.2.
 4. FIELD TO SET. REFER TO ELECTRICAL ER DRAWINGS.



SI APERTURE CARD

NO CHANGE			
ATI			
11	10	9	8
CPN-N/A	R-Y-X	9/25/84	3/29/84
			ECN-004
RWF	C JRM	SB	

QA CAT II
 DC ELEM DIAG - 13.8KV SWGR CONTROL
 AUTO XFR CKT BUS 2NPS-SWGOOL
 NINE MILE POINT NUCLEAR STATION-UNIT 2
 NIAGARA MOHAWK POWER CORPORATION
 STONE & WEBSTER ENGINEERING CORPORATION
 12177-ESK-5NPS13
 9305040189

9305040189 D

07-91
 27