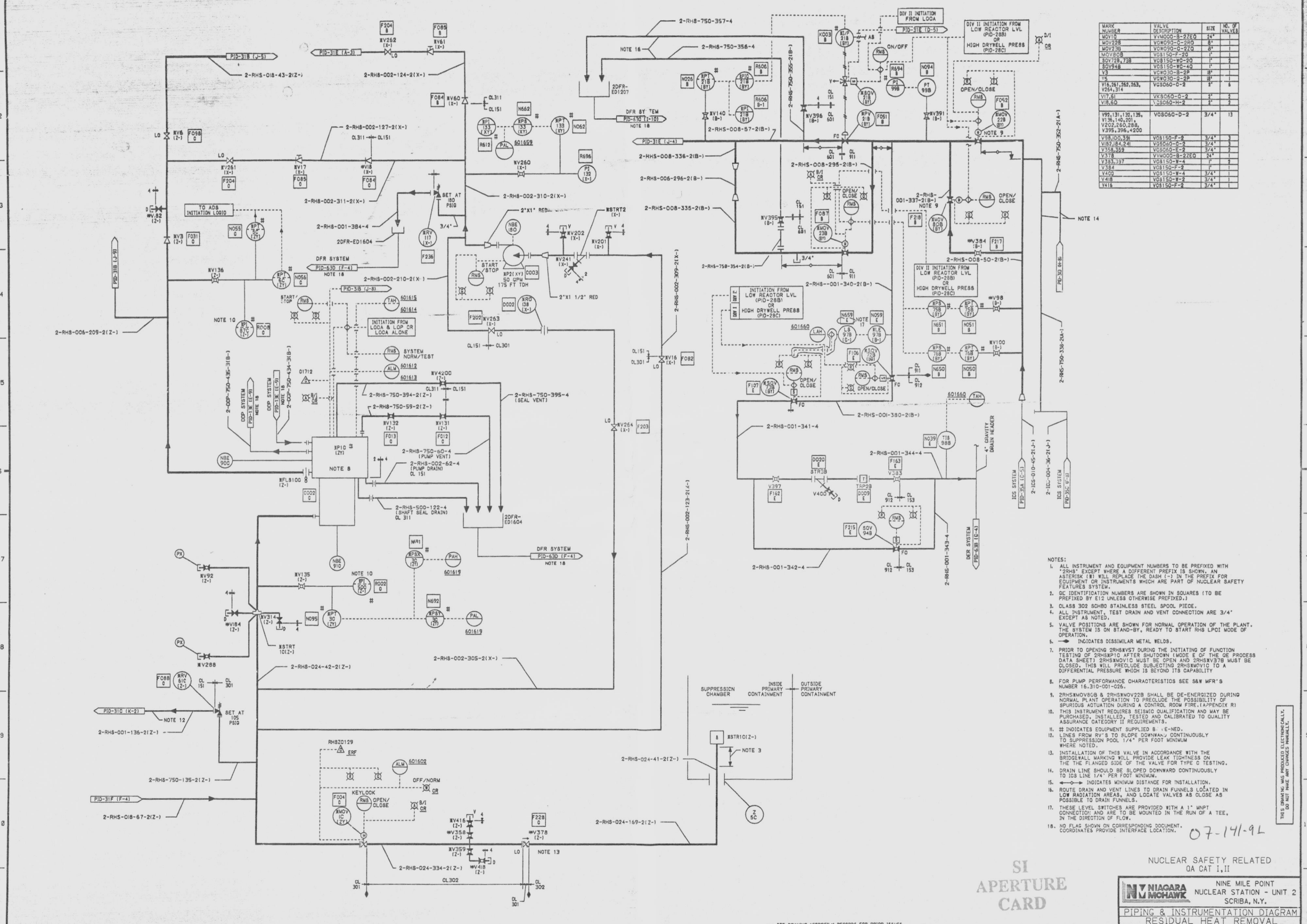


12177-PID-310-B



MARK NUMBER	VALVE DESCRIPTION	SIZE	NO. OF VALVES
W0128	VW0000-1-21E0	2 1/4"	1
W0238	VW0000-2-21E0	2 1/4"	1
W0338	VW0000-3-21E0	2 1/4"	1
W0438	VW0000-4-21E0	2 1/4"	1
W0538	VW0000-5-21E0	2 1/4"	1
W0638	VW0000-6-21E0	2 1/4"	1
W0738	VW0000-7-21E0	2 1/4"	1
W0838	VW0000-8-21E0	2 1/4"	1
W0938	VW0000-9-21E0	2 1/4"	1
W1038	VW0000-10-21E0	2 1/4"	1
V151	VW0000-11-21E0	2 1/4"	1
V161	VW0000-12-21E0	2 1/4"	1
V171	VW0000-13-21E0	2 1/4"	1
V181	VW0000-14-21E0	2 1/4"	1
V191	VW0000-15-21E0	2 1/4"	1
V201	VW0000-16-21E0	2 1/4"	1
V211	VW0000-17-21E0	2 1/4"	1
V221	VW0000-18-21E0	2 1/4"	1
V231	VW0000-19-21E0	2 1/4"	1
V241	VW0000-20-21E0	2 1/4"	1
V251	VW0000-21-21E0	2 1/4"	1
V261	VW0000-22-21E0	2 1/4"	1
V271	VW0000-23-21E0	2 1/4"	1
V281	VW0000-24-21E0	2 1/4"	1
V291	VW0000-25-21E0	2 1/4"	1
V301	VW0000-26-21E0	2 1/4"	1
V311	VW0000-27-21E0	2 1/4"	1
V321	VW0000-28-21E0	2 1/4"	1
V331	VW0000-29-21E0	2 1/4"	1
V341	VW0000-30-21E0	2 1/4"	1
V351	VW0000-31-21E0	2 1/4"	1
V361	VW0000-32-21E0	2 1/4"	1
V371	VW0000-33-21E0	2 1/4"	1
V381	VW0000-34-21E0	2 1/4"	1
V391	VW0000-35-21E0	2 1/4"	1
V401	VW0000-36-21E0	2 1/4"	1
V411	VW0000-37-21E0	2 1/4"	1
V421	VW0000-38-21E0	2 1/4"	1
V431	VW0000-39-21E0	2 1/4"	1
V441	VW0000-40-21E0	2 1/4"	1
V451	VW0000-41-21E0	2 1/4"	1
V461	VW0000-42-21E0	2 1/4"	1
V471	VW0000-43-21E0	2 1/4"	1
V481	VW0000-44-21E0	2 1/4"	1
V491	VW0000-45-21E0	2 1/4"	1
V501	VW0000-46-21E0	2 1/4"	1
V511	VW0000-47-21E0	2 1/4"	1
V521	VW0000-48-21E0	2 1/4"	1
V531	VW0000-49-21E0	2 1/4"	1
V541	VW0000-50-21E0	2 1/4"	1
V551	VW0000-51-21E0	2 1/4"	1
V561	VW0000-52-21E0	2 1/4"	1
V571	VW0000-53-21E0	2 1/4"	1
V581	VW0000-54-21E0	2 1/4"	1
V591	VW0000-55-21E0	2 1/4"	1
V601	VW0000-56-21E0	2 1/4"	1
V611	VW0000-57-21E0	2 1/4"	1
V621	VW0000-58-21E0	2 1/4"	1
V631	VW0000-59-21E0	2 1/4"	1
V641	VW0000-60-21E0	2 1/4"	1
V651	VW0000-61-21E0	2 1/4"	1
V661	VW0000-62-21E0	2 1/4"	1
V671	VW0000-63-21E0	2 1/4"	1
V681	VW0000-64-21E0	2 1/4"	1
V691	VW0000-65-21E0	2 1/4"	1
V701	VW0000-66-21E0	2 1/4"	1
V711	VW0000-67-21E0	2 1/4"	1
V721	VW0000-68-21E0	2 1/4"	1
V731	VW0000-69-21E0	2 1/4"	1
V741	VW0000-70-21E0	2 1/4"	1
V751	VW0000-71-21E0	2 1/4"	1
V761	VW0000-72-21E0	2 1/4"	1
V771	VW0000-73-21E0	2 1/4"	1
V781	VW0000-74-21E0	2 1/4"	1
V791	VW0000-75-21E0	2 1/4"	1
V801	VW0000-76-21E0	2 1/4"	1
V811	VW0000-77-21E0	2 1/4"	1
V821	VW0000-78-21E0	2 1/4"	1
V831	VW0000-79-21E0	2 1/4"	1
V841	VW0000-80-21E0	2 1/4"	1
V851	VW0000-81-21E0	2 1/4"	1
V861	VW0000-82-21E0	2 1/4"	1
V871	VW0000-83-21E0	2 1/4"	1
V881	VW0000-84-21E0	2 1/4"	1
V891	VW0000-85-21E0	2 1/4"	1
V901	VW0000-86-21E0	2 1/4"	1
V911	VW0000-87-21E0	2 1/4"	1
V921	VW0000-88-21E0	2 1/4"	1
V931	VW0000-89-21E0	2 1/4"	1
V941	VW0000-90-21E0	2 1/4"	1
V951	VW0000-91-21E0	2 1/4"	1
V961	VW0000-92-21E0	2 1/4"	1
V971	VW0000-93-21E0	2 1/4"	1
V981	VW0000-94-21E0	2 1/4"	1
V991	VW0000-95-21E0	2 1/4"	1
V1001	VW0000-96-21E0	2 1/4"	1
V1011	VW0000-97-21E0	2 1/4"	1
V1021	VW0000-98-21E0	2 1/4"	1
V1031	VW0000-99-21E0	2 1/4"	1
V1041	VW0000-100-21E0	2 1/4"	1

- NOTES:
- ALL INSTRUMENT AND EQUIPMENT NUMBERS TO BE PREFIXED WITH "2-RHS" EXCEPT WHERE A DIFFERENT PREFIX IS SHOWN. AN ASTERISK (\*) WILL REPLACE THE DASH (-) IN THE PREFIX FOR EQUIPMENT OR INSTRUMENTS WHICH ARE PART OF NUCLEAR SAFETY FEATURES SYSTEM.
  - DE IDENTIFICATION NUMBERS ARE SHOWN IN SQUARES (TO BE PREFIXED BY EIC UNLESS OTHERWISE PREFIXED).
  - CLASS 304 8000 STAINLESS STEEL SPOOL PIECE.
  - ALL INSTRUMENT, TEST DRAIN AND VENT CONNECTION ARE 3/4" EXCEPT AS NOTED.
  - VALVE POSITIONS ARE SHOWN FOR NORMAL OPERATION OF THE PLANT. THE SYSTEM IS ON STAND-BY, READY TO START RSH LPCI MODE OF OPERATION.
  - INDICATES DISSIMILAR METAL WELDS.
  - PRIOR TO OPENING 2-RHS-017 DURING THE INITIATING OF FUNCTION TESTING OF 2-RHS-017 AFTER SHUTDOWN (MODE E OF THE OR PROCESS DATA SHEET 2-RHS-017C MUST BE OPEN AND 2-RHS-017B MUST BE CLOSED, THEN WILL PRECLUDE SUBJECTING 2-RHS-017 TO A DIFFERENTIAL PRESSURE WHICH IS BEYOND ITS CAPABILITY.
  - FOR PUMP PERFORMANCE CHARACTERISTICS SEE S&W MFR'S NUMBER 18-310-001-004.
  - 2-RHS-017C AND 2-RHS-017B SHALL BE DE-ENERGIZED DURING NORMAL PLANT OPERATION TO PRECLUDE THE POSSIBILITY OF SPURIOUS ACTIVATION DURING A CONTROL ROOM FIRE (PREFIX R).
  - THIS INSTRUMENT REQUIRES REISM QUALIFICATION AND MAY BE PURCHASED, INSTALLED, TESTED AND CALIBRATED TO QUALITY ASSURANCE CATEGORY II REQUIREMENTS.
  - # INDICATES EQUIPMENT SUPPLIED B-E-NEO.
  - LINE FROM 8V4 TO SLOPE DOWNWARD CONTINUOUSLY TO SUPPRESSION POOL 1/4" PER FOOT MINIMUM WHERE NOTED.
  - INSTALLATION OF THIS VALVE IN ACCORDANCE WITH THE BRIDGES BALL MARKING WILL PROVIDE LEAK TIGHTNESS ON THE FLANGED SIDE OF THE VALVE FOR TYPE C TESTING.
  - DRAIN LINE SHOULD BE SLOPED DOWNWARD CONTINUOUSLY TO ICE LINE 1/4" PER FOOT MINIMUM.
  - INDICATES MINIMUM DISTANCE FOR INSTALLATION.
  - ROUTE DRAIN AND VENT LINES TO DRAIN FUNNELS LOCATED IN LOW RADIATION AREAS, AND LOCATE VALVES AS CLOSE AS POSSIBLE TO DRAIN FUNNELS.
  - THESE LEVEL SWITCHES ARE PROVIDED WITH A 1" NPT CONNECTION AND ARE TO BE MOUNTED IN THE RUN OF A TEE, IN THE DIRECTION OF FLOW.
  - NO FLAS SHOWN ON CORRESPONDING DOCUMENT. COORDINATES PROVIDE INTERFACE LOCATION.

07-14-94

SI APERTURE CARD

NUCLEAR SAFETY RELATED QA CAT 1, II

NIAGARA MOHAWK NINE MILE POINT NUCLEAR STATION - UNIT 2 SCRIBA, N.Y.

PIPING & INSTRUMENTATION DIAGRAM RESIDUAL HEAT REMOVAL

NO.	DATE	DESCRIPTION OF REVISION	BY	CHKD	APP'D	DATE	DESCRIPTION OF REVISION	BY	CHKD	APP'D	DATE	DESCRIPTION OF REVISION
1	12-24-90	INCORPORATES EDC NO. RSH-678. INCORPORATES NEW BOILER.	MI	MI	MI	12-24-90	INCORPORATES EDC NO. 288851	MI	MI	MI	12-24-90	INCORPORATES EDC NO. 288851

9305040176