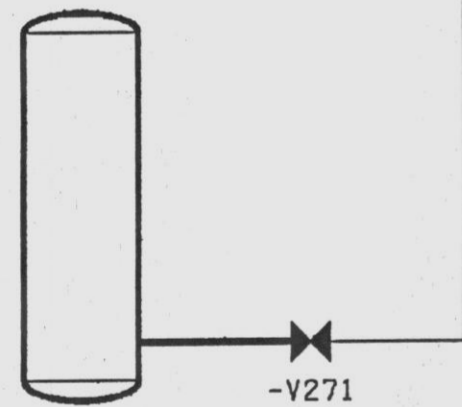
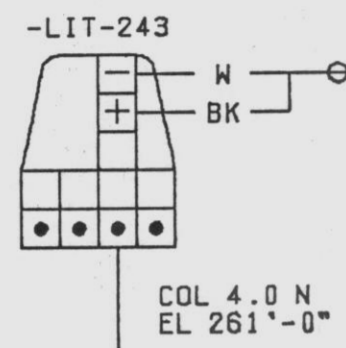
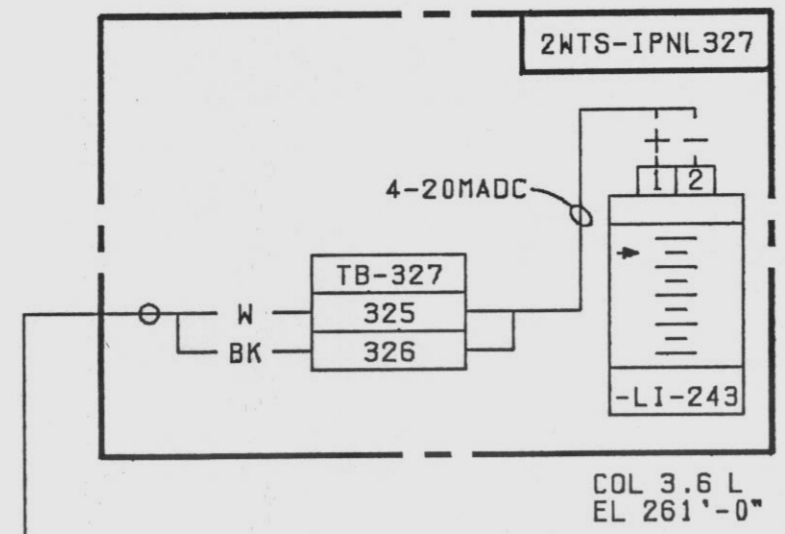
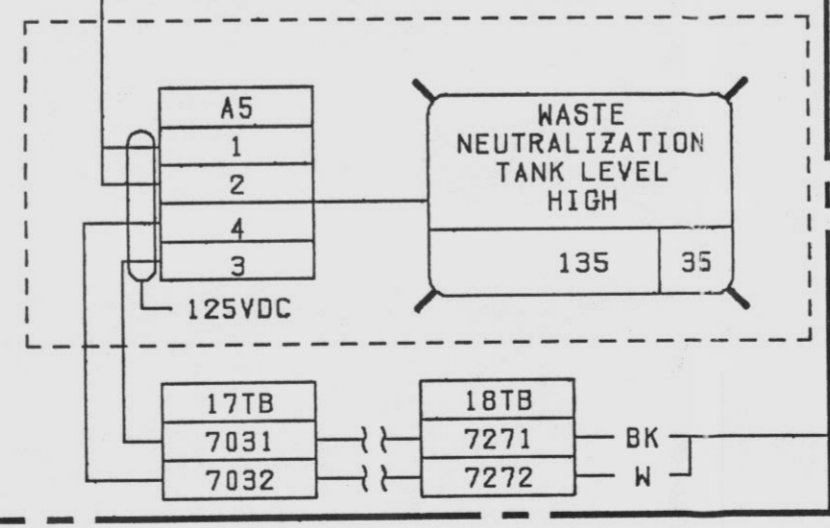
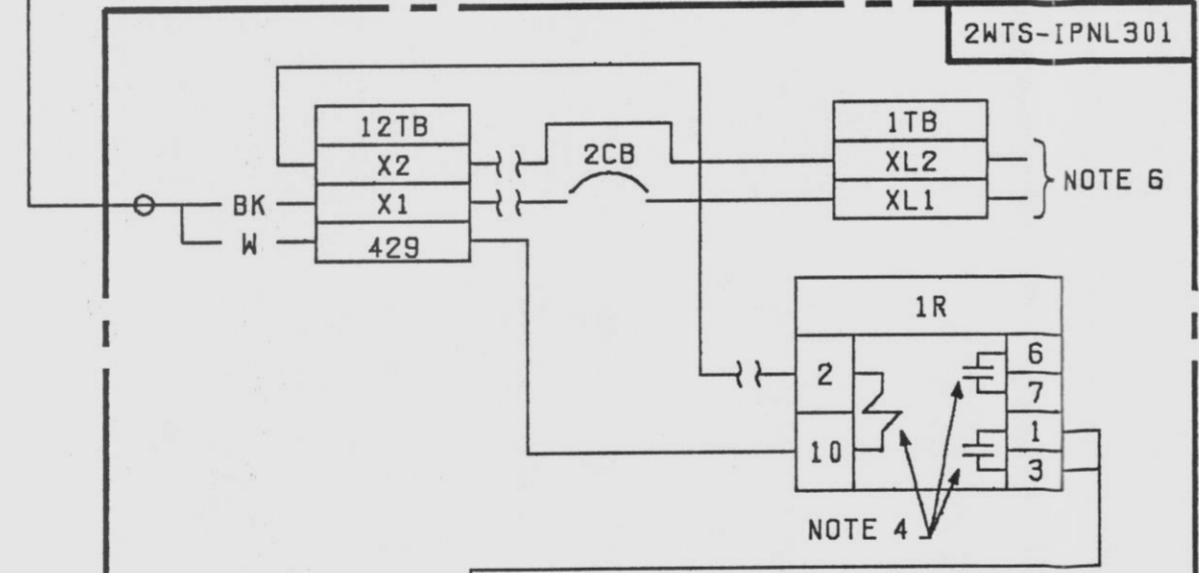
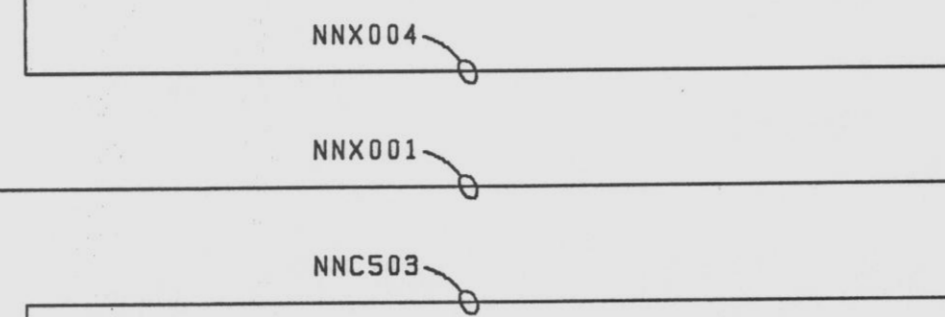


REFERENCES:

- 2WTS-243 -2
- ESK-13-1B -3
- FSK-13-1B -4
- 0007.159-451-237 -H
- 0002.530-015-045 -A
- 0002.530-015-039 -O
- 0002.530-015-184 -A
- 0002.530-015-084 -E
- EE-3BU -1
- E&DCR-C43310 -1
- E&DCR-F40381 -1
- EE-20A -1
- EE-20F -1
- EE-20B -1
- ACN-018178 -1
- EE-3RN -1

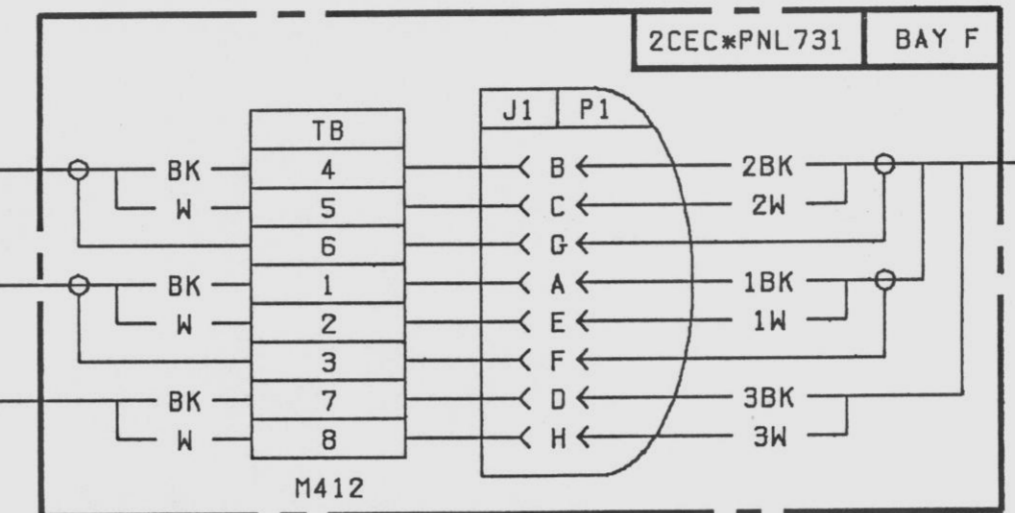


SCREENWELL BUILDING

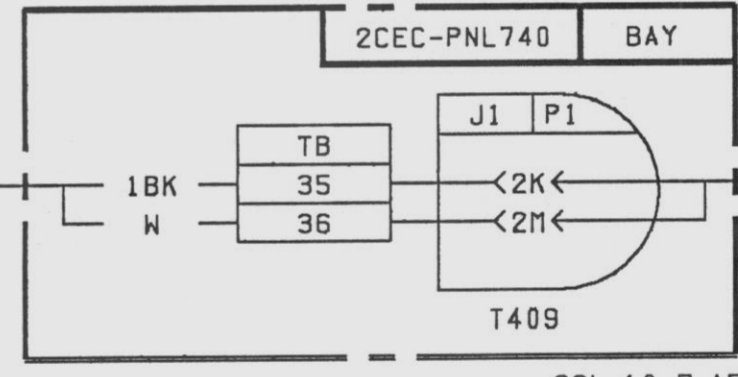
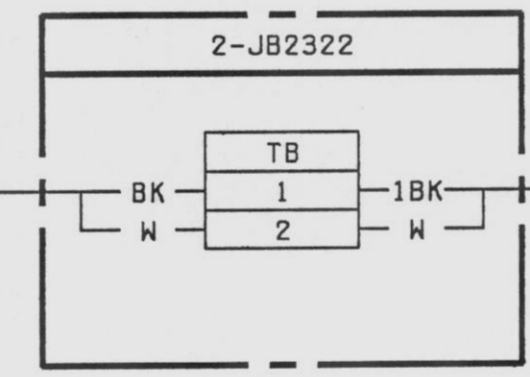


COL 3.0 M EL 261'-0"

INFORMATION ONLY



COL 13.0 AG EL 306'-0"



COL 10.7 AE EL 261'-0"

ANC737  
125VDC

CONTROL BUILDING  
**9305030329**  
QA CAT II

NOTES:

1. FOR TEST PURPOSES ONLY-NOT TO BE USED FOR CONSTRUCTION.
2. ALL INSTRUMENT AND EQUIPMENT NUMBERS ARE TO BE PREFIXED WITH "2WTS" EXCEPT WHERE A DIFFERENT PREFIX IS SHOWN.
3. LOOP ACTION: LIT-243 MONITORS MAKE-UP WASTE NEUTRALIZING TANK (TK1) LEVEL AND PROVIDES A LEVEL SIGNAL TO COMPUTER, LI-243 AND LSH-243 VIA PHRS-243. LSH-243 ACTUATES ON HIGH LEVEL TO INHIBIT THE START OF THE REGENERATION CYCLE AND ENERGIZE THE COMPUTER AND LOCAL AND REMOTE ANNUNCIATOR ALARMS.
4. 1R ENERGIZES ON HIGH LEVEL TO:  
CLOSE CONTACT 1,3 TO ENERGIZE ALARMS.  
CLOSE CONTACT 6,7 TO PROVIDE INPUT TO THE MODICON CONTROLLER (CHANNEL 1, INPUT 6), TO INHIBIT THE START OF THE REGENERATION CYCLE.
5. NORMALLY OPEN CONTACTS OPEN ON HIGH LEVEL.  
NORMALLY CLOSED CONTACTS CLOSE ON HIGH LEVEL.
6. 120VAC FROM 2SCA-PNLA103, CKT#2.

SI  
APERTURE  
CARD

TEST LOOP DIAGRAM  
WASTE NEUTRALIZING TK1 LEVEL  
2WTS-LIT-243  
NINE MILE POINT NUCLEAR STATION-UNIT 2  
NIAGARA MOHAWK POWER CORPORATION

| DATE       | DATE       | DATE       | DATE       | DATE       |
|------------|------------|------------|------------|------------|
| 4 PREPARED | 3 PREPARED | 2 PREPARED | 1 PREPARED | 0 PREPARED |
| 4 APPROVED | 3 APPROVED | 2 APPROVED | 1 APPROVED | 0 APPROVED |

STONE & WEBSTER ENGINEERING CORPORATION  
SHEET 1 OF 2  
**12177-TL2WTS-114**



9305030329

CONTINUED ON SHT-2