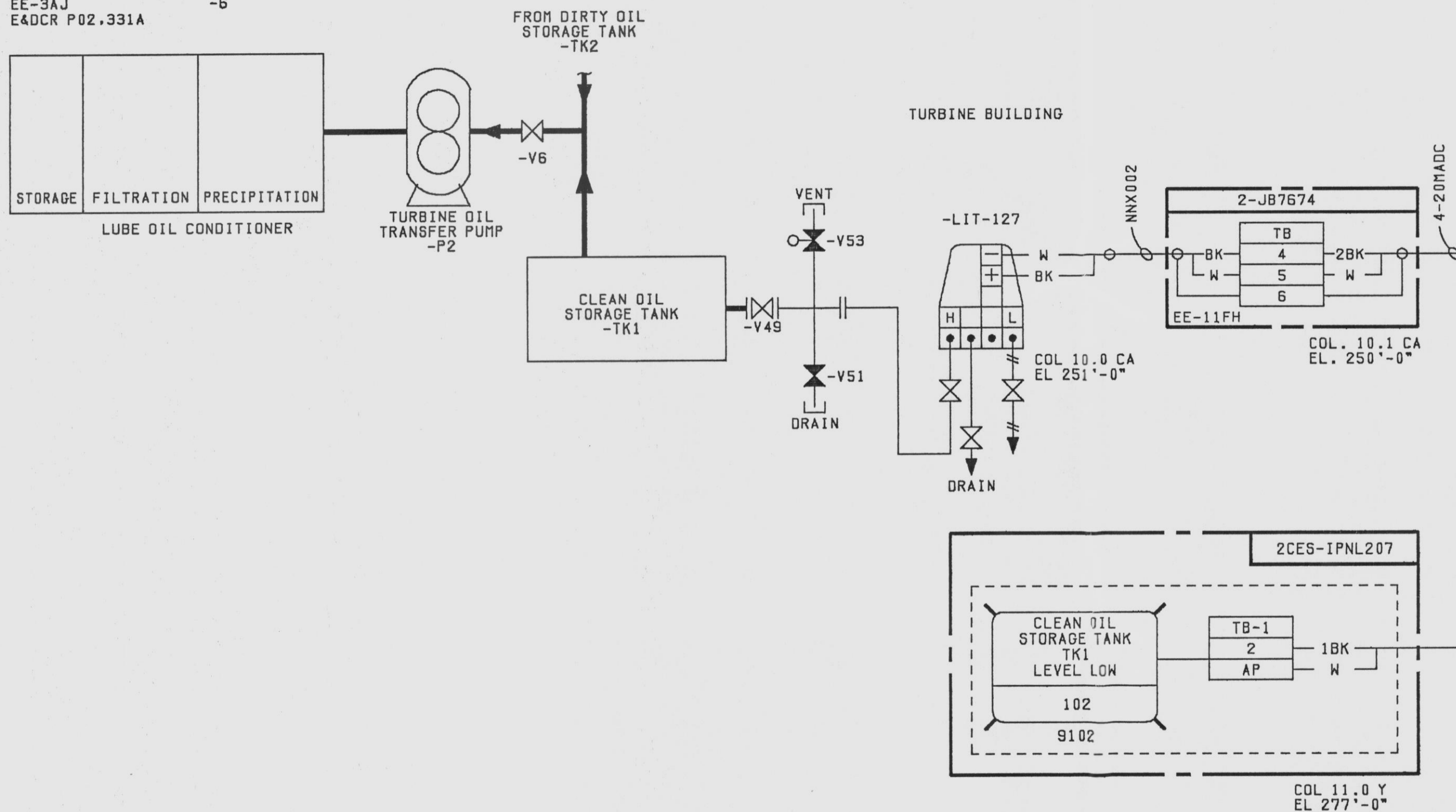


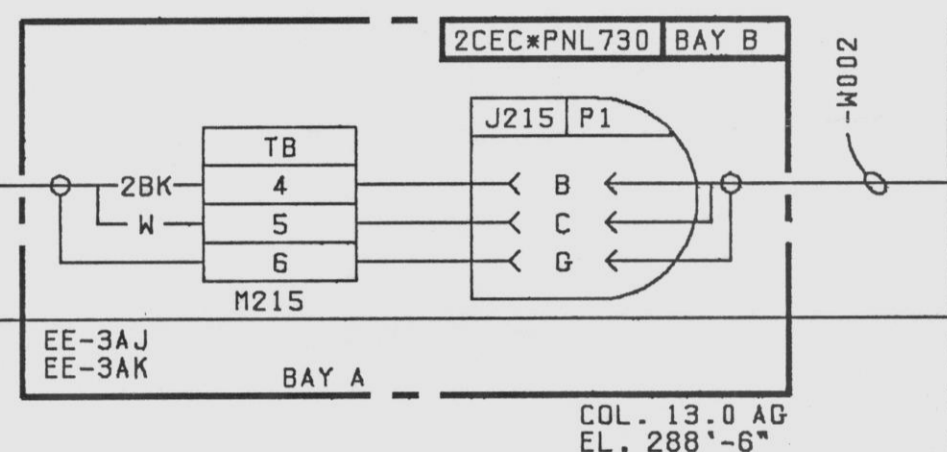
REFERENCES:

FSK-16-3A	-7
2LOS-127	-4
ESK-6LOS01	-7
LSK-16-3A	-4
ESK-10IHA424	-9
0007.159-451-187	-D (CD-87-2)
0007.159-451-512	-E (PW-87-2)
EE-48A	-3
EE-48R	-3
EE-3AK	-5
EE-3M	-3
EE-11FH	-2
EE-3AJ	-6
E&DCR P02.331A	

INFORMATION ONLY



CONTROL BUILDING



SI APERTURE CARD

9305030072
QA CAT II

NOTES:

- FOR TEST PURPOSES ONLY-NOT TO BE USED FOR CONSTRUCTION.
- ALL INSTRUMENT AND EQUIPMENT NUMBERS ARE TO BE PREFIXED WITH "2LOS" EXCEPT WHERE A DIFFERENT PREFIX IS SHOWN.
- LOOP ACTION: LIT-127 MONITORS CLEAN OIL STORAGE TANK TK1 LEVEL AND PROVIDES LEVEL SIGNALS TO LSH-127, LSL-127, LSL-127, AND THE COMPUTER VIA PWS-127. LSH-127 ACTUATES ON HIGH LEVEL ACTUATING LSHX-127 TO ENERGIZE COMPUTER AND REMOTE ANNUNCIATOR ALARMS. LSL-127 ACTUATES ON LOW/LOW LEVEL ACTUATING LSLY-127 TO ENERGIZE COMPUTER AND REMOTE ANNUNCIATOR ALARMS. LSL-127 ACTUATES ON LOW LEVEL ACTUATING LSLX-127 TO ENERGIZE THE LOCAL ANNUNCIATOR ALARM AND STOP TURBINE LUBE OIL TRANSFER PUMP P2 WHEN SWITCH 1A-2LOS01 (OIL STORAGE TANK SELECTOR) IS IN TANK 1 POSITION. SEE TL2LOS-004.
- NORMALLY OPEN (NO) CONTACTS OPEN ON HIGH LEVEL. NORMALLY CLOSED (NC) CONTACTS CLOSE ON HIGH LEVEL.
- NORMALLY OPEN (NO) CONTACTS OPEN ON LOW/LOW LEVEL. NORMALLY CLOSED (NC) CONTACTS CLOSE ON LOW/LOW LEVEL.
- NORMALLY OPEN (NO) CONTACTS OPEN ON LOW LEVEL. NORMALLY CLOSED (NC) CONTACTS CLOSE ON LOW LEVEL.
- TO PUMP P2A CONTROL CIRCUITRY. SEE TL2LOS-004.

TEST LOOP DIAGRAM
CLEAN OIL STORAGE TANK TK1 LEVEL
2LOS-LIT-127
NINE MILE POINT NUCLEAR STATION-UNIT 2
NIAGARA MOHAWK POWER CORPORATION

STONE & WEBSTER ENGINEERING CORPORATION

SHEET 1 OF 2

12177-TL2LOS-002



DATE	DATE	DATE	DATE	DATE	DATE
4	3	2	1	0	31AUG84
PREPARED	PREPARED	PREPARED	PREPARED	PREPARED	PREPARED
APPROVED	APPROVED	APPROVED	APPROVED	APPROVED	LMT/GWH
				1	APPROVED WJE

CONTINUED ON SHEET 2

Φ9-127-91

9305030072