

REGULATORY INFORMATION DISTRIBUTION SYSTEM (RIDS)

ACCESSION NBR: 8605140039 DDC DATE: 86/05/09 NOTARIZED: NO DOCKET #
 FACIL: 50-410 Nine Mile Point Nuclear Station, Unit 2, Niagara Moha 05000410
 AUTH. NAME AUTHOR AFFILIATION
 MANGAN, C. V. Niagara Mohawk Power Corp.
 RECIP. NAME RECIPIENT AFFILIATION
 ADENSAM, E. G. BWR Project Directorate 3

SUBJECT: Responds to Confirmatory Item 210, "Isolation of Circuits,"
 per 860502 telcon. Util physically disabled Points Board
 Drawing 430402-001 encl.

DISTRIBUTION CODE: B001D COPIES RECEIVED: LTR 1 ENCL 1 SIZE: 2
 TITLE: Licensing Submittal: PSAR/FSAR Amdts & Related Correspondence

NOTES:

	RECIPIENT		COPIES			RECIPIENT		COPIES	
	ID CODE/NAME		LTTR	ENCL		ID CODE/NAME		LTTR	ENCL
	BWR ADTS		1	1		BWR EB		1	1
	BWR EICSB		2	2		BWR FOB		1	1
	BWR PD3 LA		1	1		BWR PD3 PD		1	1
	HAUGHEY, M	01	2	2		BWR PSB		1	1
	BWR RSB		1	1					
INTERNAL:	ACRS	41	6	6		ADM/LFMB		1	0
	ELD/HDS3		1	0		IE FILE		1	1
	IE/DEPER/EPB	36	1	1		IE/DGAVT/QAB	21	1	1
	NRR BWR ADTS		1	0		NRR PWR-A ADTS		1	0
	NRR PWR-B ADTS		1	0		NRR ROE, M. L		1	1
	NRR/DHFT/HFIB		1	1		NRR/DHFT/MTB		1	1
	<u>REG FILE</u>	04	1	1		RGN1		3	3
	RM/DDAMI/MIB		1	0					
EXTERNAL:	24X		1	1		BNL (AMDTS ONLY)		1	1
	DMB/DSS (AMDTS)		1	1		LPDR	03	1	1
	NRC PDR	02	1	1		NSIC	05	1	1
	PNL GRUEL, R		1	1					



THE UNIVERSITY OF CHICAGO LIBRARY
540 EAST 57TH STREET
CHICAGO, ILLINOIS 60637
TEL: 773-936-3000
WWW.CHICAGO.LIBRARY.EDU

THE UNIVERSITY OF CHICAGO LIBRARY
540 EAST 57TH STREET
CHICAGO, ILLINOIS 60637
TEL: 773-936-3000
WWW.CHICAGO.LIBRARY.EDU

THE UNIVERSITY OF CHICAGO LIBRARY
540 EAST 57TH STREET
CHICAGO, ILLINOIS 60637
TEL: 773-936-3000
WWW.CHICAGO.LIBRARY.EDU

DATE	DESCRIPTION	AMOUNT	BALANCE
1/1/00	OPENING BALANCE	100.00	100.00
1/15/00	PAYROLL	50.00	150.00
1/31/00	RENT	20.00	130.00
2/15/00	UTILITIES	10.00	120.00
2/28/00	SALES	30.00	150.00
3/15/00	RENT	20.00	130.00
3/31/00	PAYROLL	50.00	180.00
4/15/00	UTILITIES	10.00	170.00
4/30/00	SALES	40.00	210.00
5/15/00	RENT	20.00	190.00
5/31/00	PAYROLL	50.00	240.00
6/15/00	UTILITIES	10.00	230.00
6/30/00	SALES	50.00	280.00
7/15/00	RENT	20.00	260.00
7/31/00	PAYROLL	50.00	310.00
8/15/00	UTILITIES	10.00	300.00
8/31/00	SALES	60.00	360.00
9/15/00	RENT	20.00	340.00
9/30/00	PAYROLL	50.00	390.00
10/15/00	UTILITIES	10.00	380.00
10/31/00	SALES	70.00	450.00
11/15/00	RENT	20.00	430.00
11/30/00	PAYROLL	50.00	480.00
12/15/00	UTILITIES	10.00	470.00
12/31/00	SALES	80.00	550.00

May 9, 1986
(NMP2L 0711)

Ms. Elinor G. Adensam, Director
BWR Project Directorate No. 3
U.S. Nuclear Regulatory Commission
7920 Norfolk Avenue
Washington, DC 20555

Dear Ms. Adensam:

Re: Nine Mile Point Unit 2
Docket No. 50-410

This letter regards a May 2, 1986 telephone conversation with your staff concerning Confirmatory Item 120 "Isolation of Circuits". As a result of that conversation, Niagara Mohawk has decided to physically disable (by removing the pins) points 1, 5, 14 and 10 as shown on Schematic Analog Isolation Board, Drawing No. 430402-001 in the output block J102 (attached). This will ensure that the 0 to 5 VDC and 0 to 10 VDC connections will not be used as a functional connection of the analog isolation module supplied by Kaman. The maximum credible fault voltage was applied to the 4 to 20 MA output point (pin 3) as described in my April 15, 1986 letter and test report. The appropriate documentation will be revised to reflect the nonusage of these other points output.

If the use of these points ever becomes necessary, the maximum credible fault voltage test as described in my April 15, 1986 letter and test report will be performed for the 0 to 5 and 0 to 10 VDC connections described above. The Nuclear Regulatory Commission will be notified of the test results prior to the use of these points.

Our response to Final Safety Analysis Report Question 421.13 will be changed to clarify this modification to the Analog Isolation Module.

Very truly yours,

C. V. Mangani
C. V. Mangani
Senior Vice President

TRL:ja
1588G

Attachment
xc: R. A. Gramm, NRC Resident Inspector
Project File (2)

8605140039 860509
PDR ADOCK 05000410
A PDR

3001
11

Dear Mr. [Name],

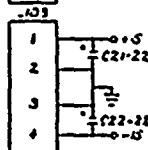
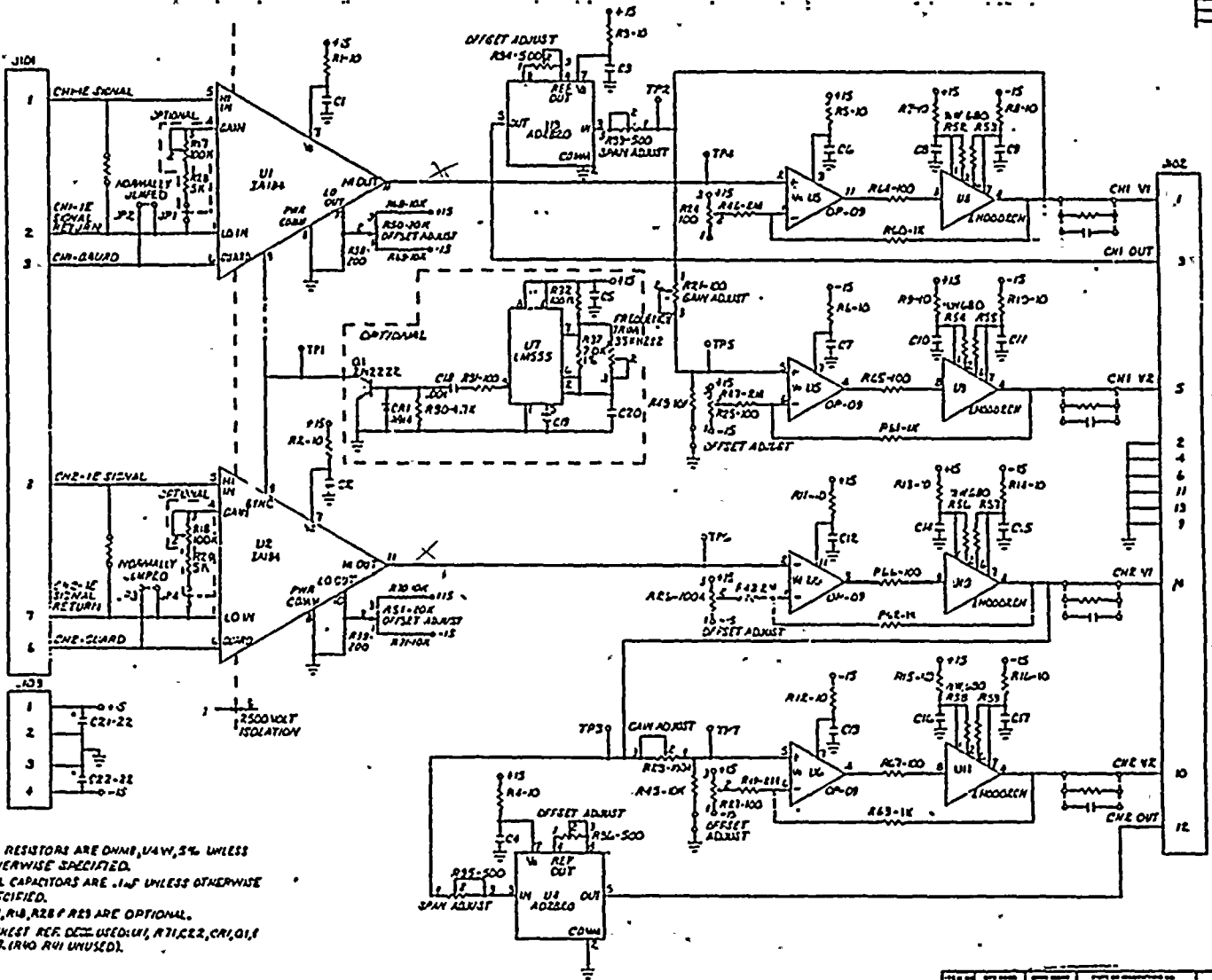
I am writing to you regarding the [subject]...

I am sure that you will find this information [useful]...

Very truly yours,

[Signature]

REV	DATE	BY	CHKD
1	10/15/64	W.A. ROSS	
2	11/2/64	W.A. ROSS	
3	11/2/64	W.A. ROSS	



NOTES:

1. ALL RESISTORS ARE 0.1% UNLESS OTHERWISE SPECIFIED.
2. ALL CAPACITORS ARE .1UF UNLESS OTHERWISE SPECIFIED.
3. R17, R18, R28 & R29 ARE OPTIONAL.
4. HIGHEST REF. DEC. USED: U1, R11, C22, C21, O1, TP2, (R10, R11 UNUS'D).

REFERENCE DOCUMENTS
 NETWORK NO. 470130
 ASSEMBLY NO. 470845

REV	DATE	BY	CHKD	DESCRIPTION
1	10/15/64	W.A. ROSS		SCHEMATIC ANALOG ISOLATION
2	11/2/64	W.A. ROSS		ANALOG ISOLATION
3	11/2/64	W.A. ROSS		ANALOG ISOLATION

THIS IS THE ORIGINAL DRAWING. ANY CHANGES TO THIS DRAWING MUST BE MADE BY THE ORIGINAL DRAWING ENGINEER OR HIS AUTHORIZED REPRESENTATIVE. ANY CHANGES MADE BY OTHERS WILL BE CONSIDERED UNAUTHORIZED.

RECEIVED
 NMPC-SYRACUSE
 APR 25 1966
 Unit 2 Nuclear Licensing

P. 11 of 14
 APP. B. 14

