

Figure F9.3-1A Sheets 1, 2, 3 & 4 of 4 intentionally  
deleted.

Refer to plant drawing 205217 in DCRMS

Figure F9.3-1B Sheets 1 & 2 of 2 intentionally deleted.

Refer to plant drawing 205317 in DCRMS

Figure F9.3-2A Sheets 1, 2 & 3 of 3 intentionally  
deleted.

Refer to plant drawing 205247 in DCRMS

Figure F9.3-2B Sheets 1, 2 & 3 of 3 intentionally  
deleted.

Refer to plant drawing 205347 in DCRMS

Figure F9.3-2C intentionally deleted.  
Refer to plant drawing 604495 in DCRMS

Figure F9.3-3A Sheets 1, 2, 3 & 4 of 4 intentionally  
deleted.

Refer to plant drawing 205244 in DCRMS

Figure F9.3-3B Sheets 1, 2, 3 & 4 of 4 intentionally  
deleted.

Refer to plant drawing 205344 in DCRMS

Figure F9.3-4A Sheets 1, 2 & 3 of 3 intentionally  
deleted.

Refer to plant drawing 205227 in DCRMS



Figure F9.3-4B Sheets 1, 2 & 3 of 3 intentionally  
deleted.

Refer to plant drawing 205327 in DCRMS

Figure F9.3-5A Sheets 1 & 2 of 2 intentionally deleted.

Refer to plant drawing 205226 in DCRMS

Figure F9.3-5B Sheets 1 & 2 of 2 intentionally deleted.

Refer to plant drawing 205326 in DCRMS

Figure F9.3-6A Sheets 1, 2 & 3 of 3 intentionally  
deleted.

Refer to plant drawing 205228 in DCRMS

Figure F9.3-6B Sheets 1, 2 & 3 of 3 intentionally  
deleted.

Refer to plant drawing 205328 in DCRMS

Figure F9.3-7A Sheets 1, 2 & 3 of 3 intentionally  
deleted.

Refer to plant drawing 205229 in DCRMS

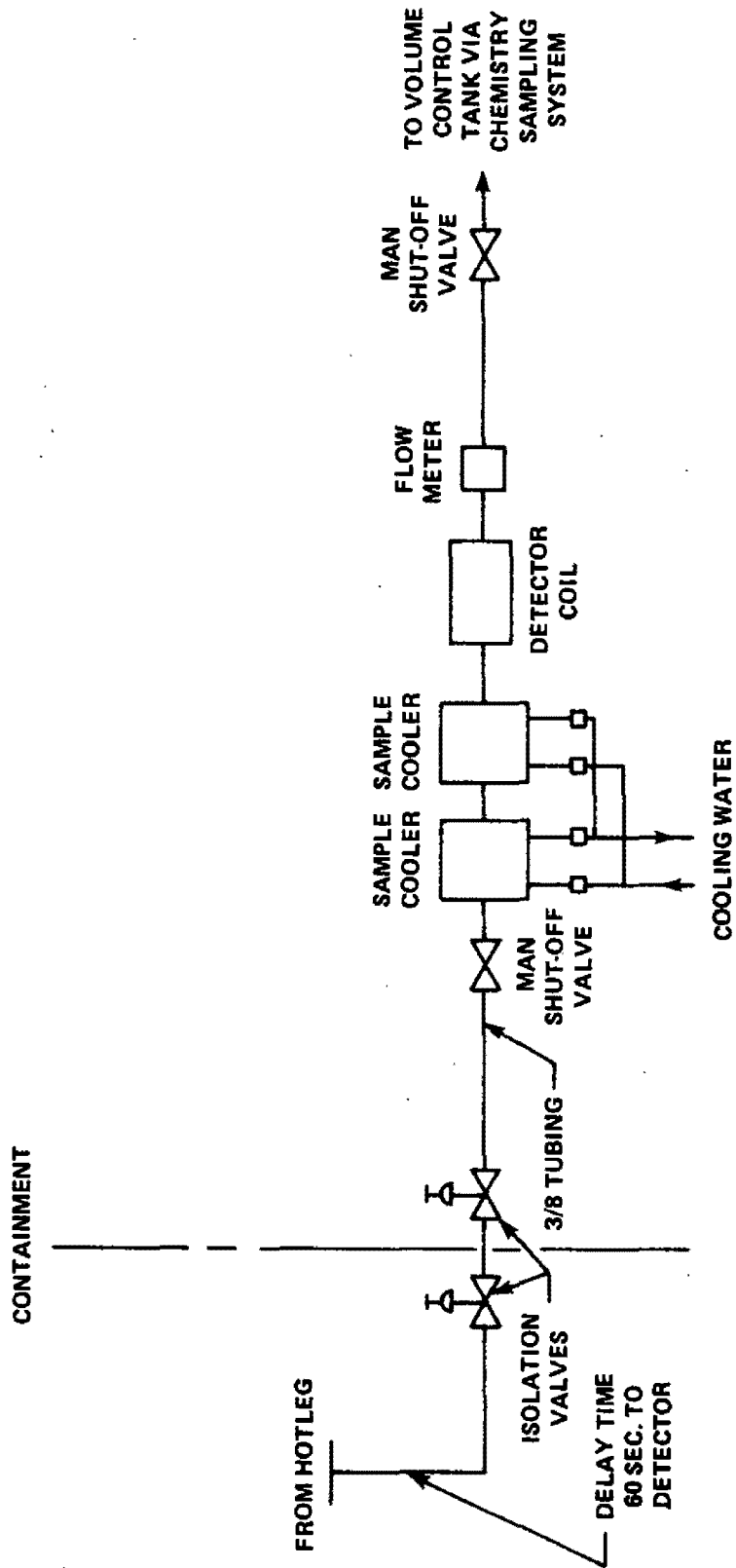
Figure F9.3-7B Sheets 1, 2 & 3 of 3 intentionally  
deleted.

Refer to plant drawing 205329 in DCRMS

Figure F9.3-8A intentionally deleted.  
Refer to plant drawing 205230 in DCRMS



Figure F9.3-8B intentionally deleted.  
Refer to plant drawing 205330 in DCRMS



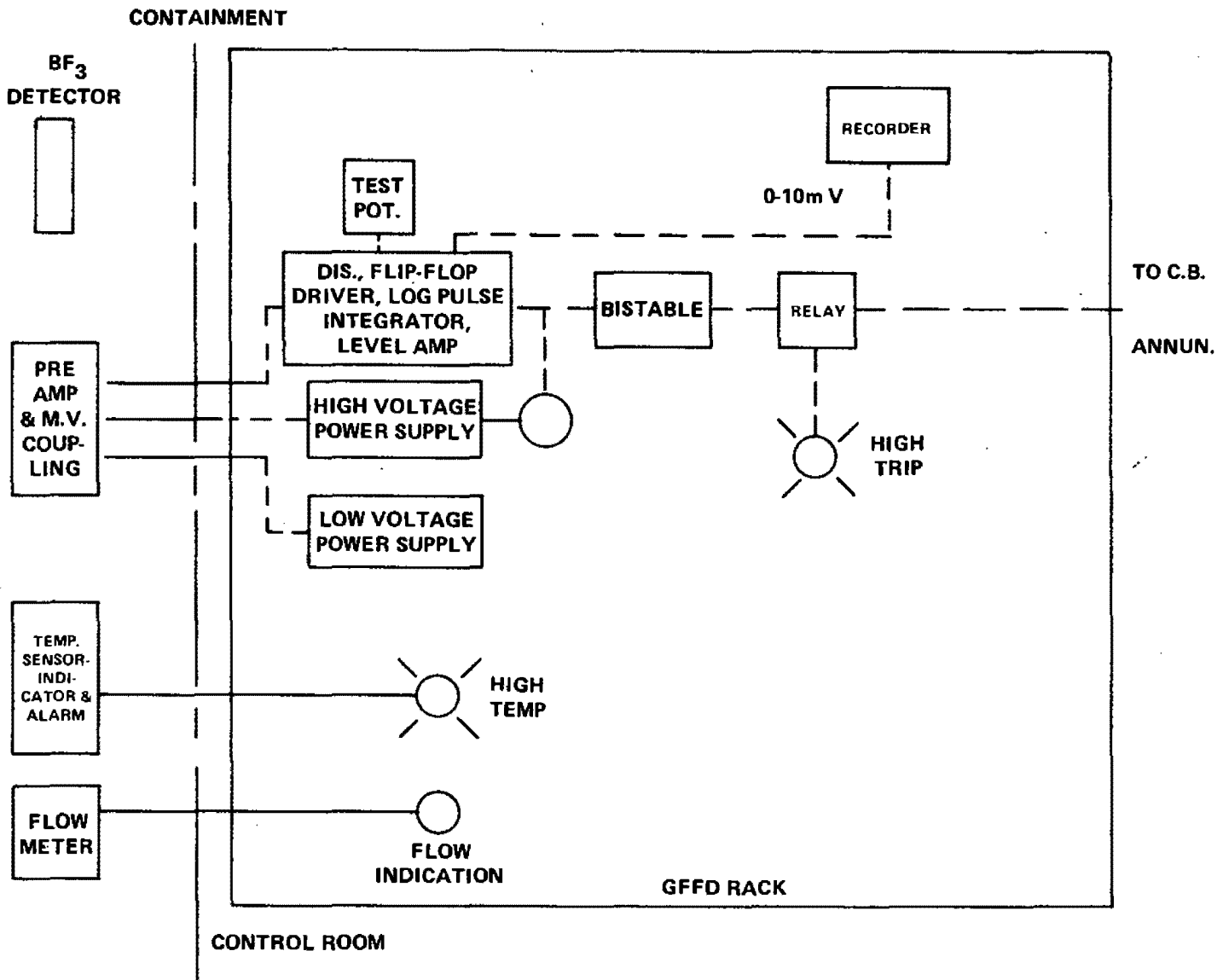
REVISION 8  
FEBRUARY 15, 1987

PUBLIC SERVICE ELECTRIC AND GAS COMPANY  
SALEM NUCLEAR GENERATING STATION

Gross Failed Fuel Detector  
Flow Diagram

Updated FSAR

Figure 9.3-9



REVISION 6  
FEBRUARY 15, 1967

PUBLIC SERVICE ELECTRIC AND GAS COMPANY  
SALEM NUCLEAR GENERATING STATION

Gross Failed Fuel Detector  
Electronics Diagram

Updated FSAR

Figure 9.3-10