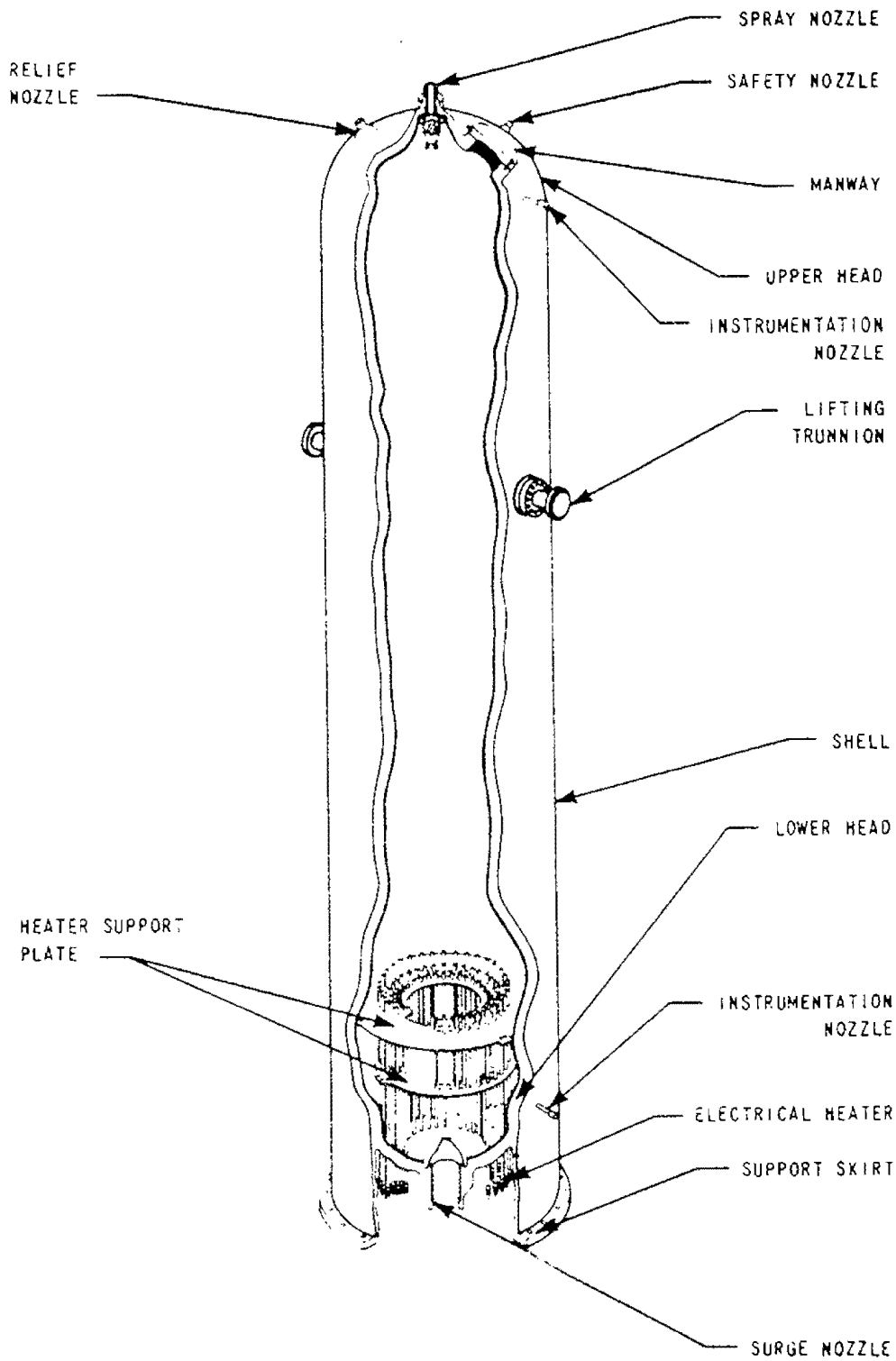


The RVCHs on Units 1 & 2 have been replaced. This replacement includes the installation of the IHAs.

Revision 22, May 5, 2006

PSEG Nuclear, LLC SALEM NUCLEAR GENERATING STATION	Salem Nuclear Generating Station REACTOR VESSEL SCHEMATIC
	Updated FSAR Figure 5.1-1



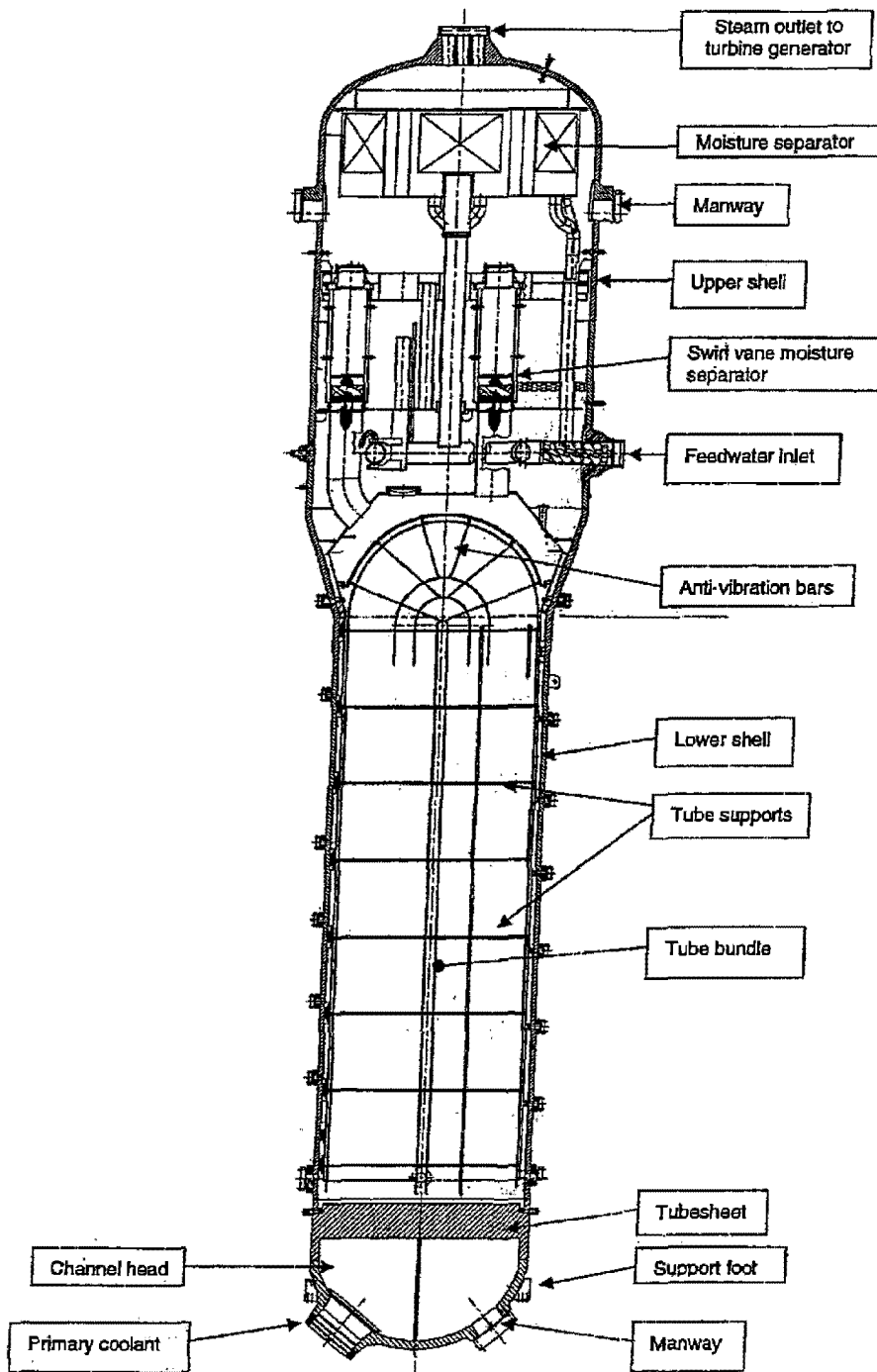
REVISION 6
FEBRUARY 15, 1987

PUBLIC SERVICE ELECTRIC AND GAS COMPANY
SALEM NUCLEAR GENERATING STATION

Cutaway View of Pressurizer

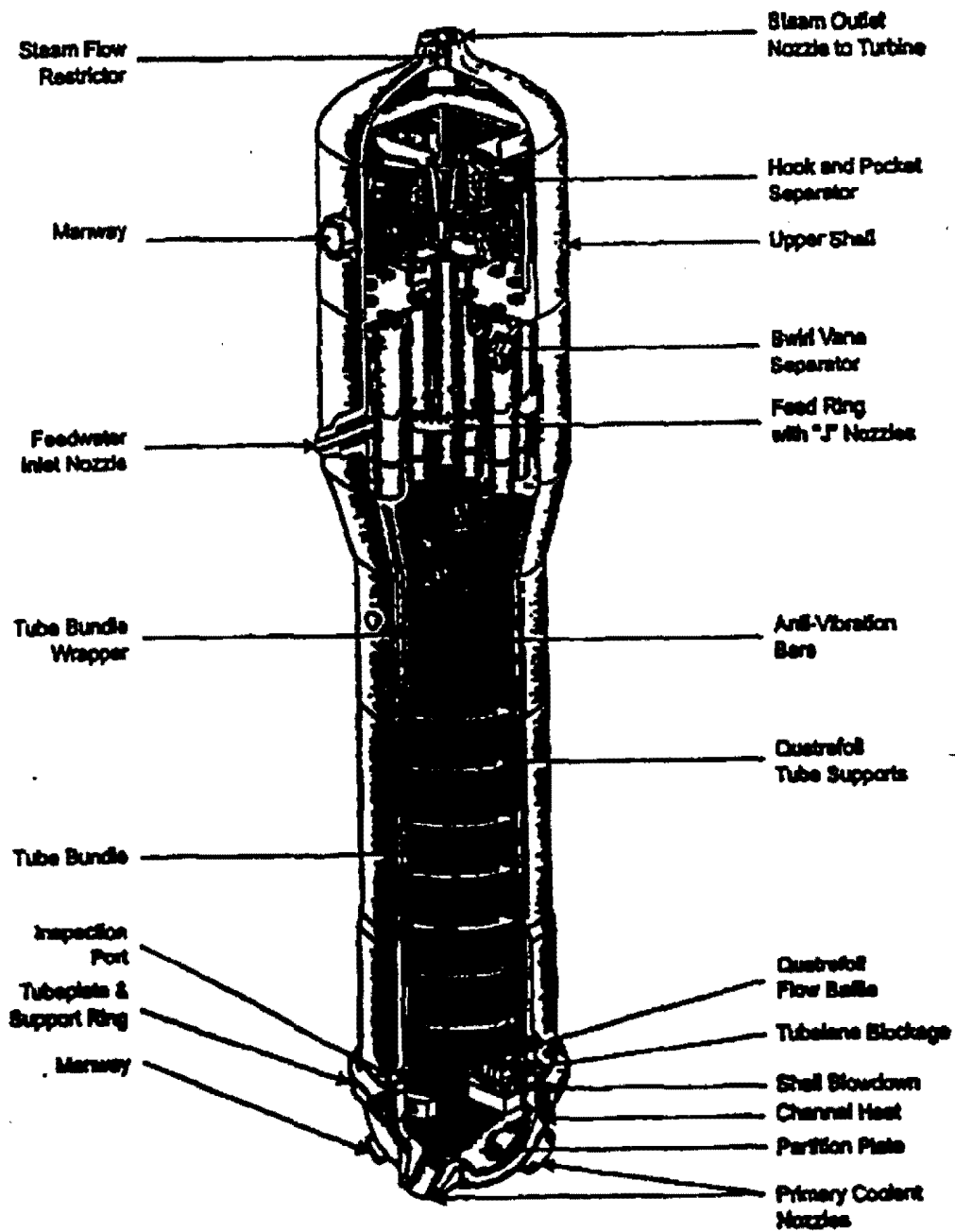
Updated FSAR

Figure 5.1-2



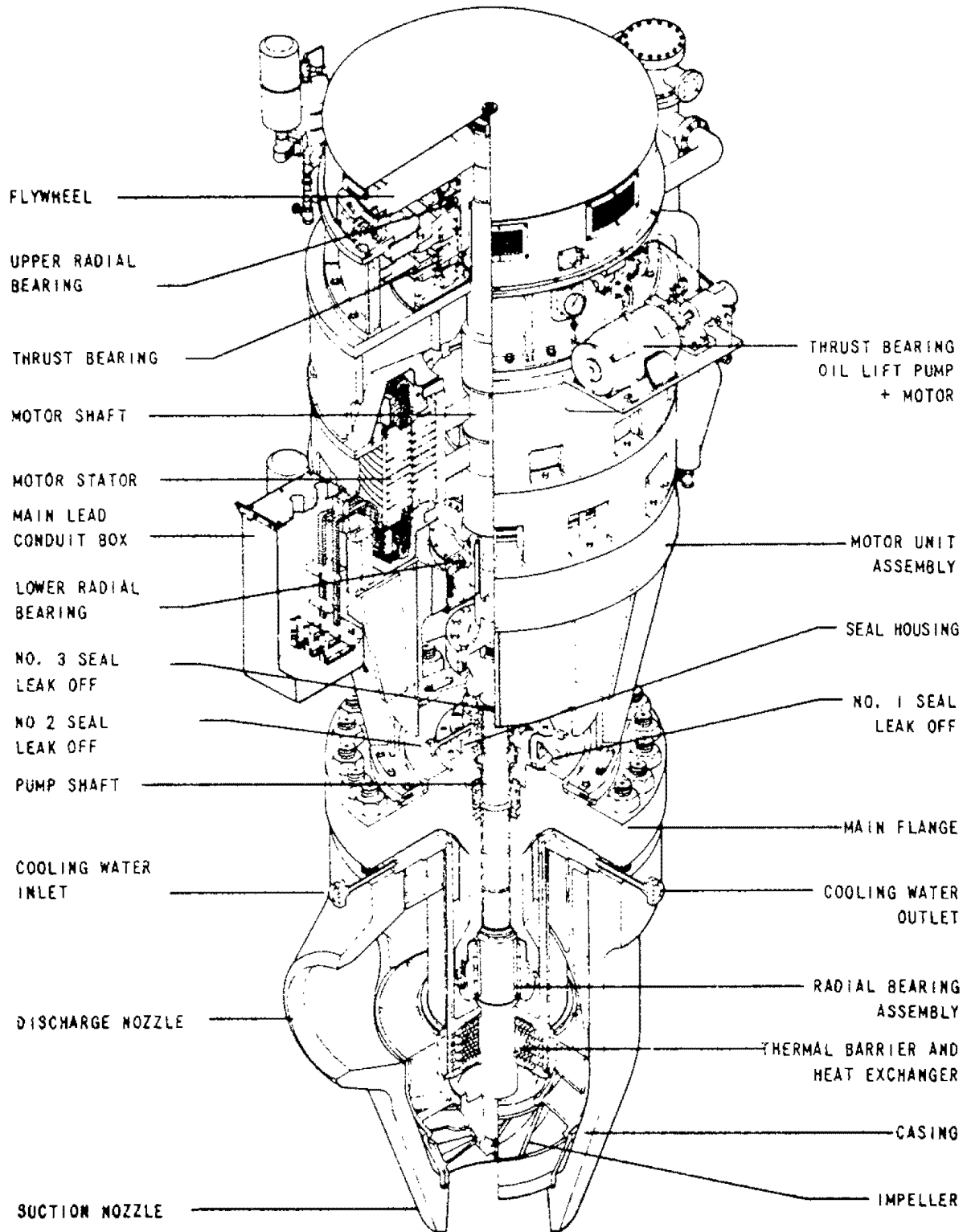
Revision 24
May 11, 2009

PSEG Nuclear, LLC SALEM NUCLEAR GENERATING STATION	Salem Nuclear Generating Station STEAM GENERATOR UNIT 2 ONLY
	Updated FSAR Figure 5.1-3



Revision 18, April 26, 2000

PSEG Nuclear, LLC SALEM NUCLEAR GENERATING STATION	Salem Nuclear Generating Station STEAM GENERATOR (UNIT 1)
	Updated FSAR Figure 5.1-3A



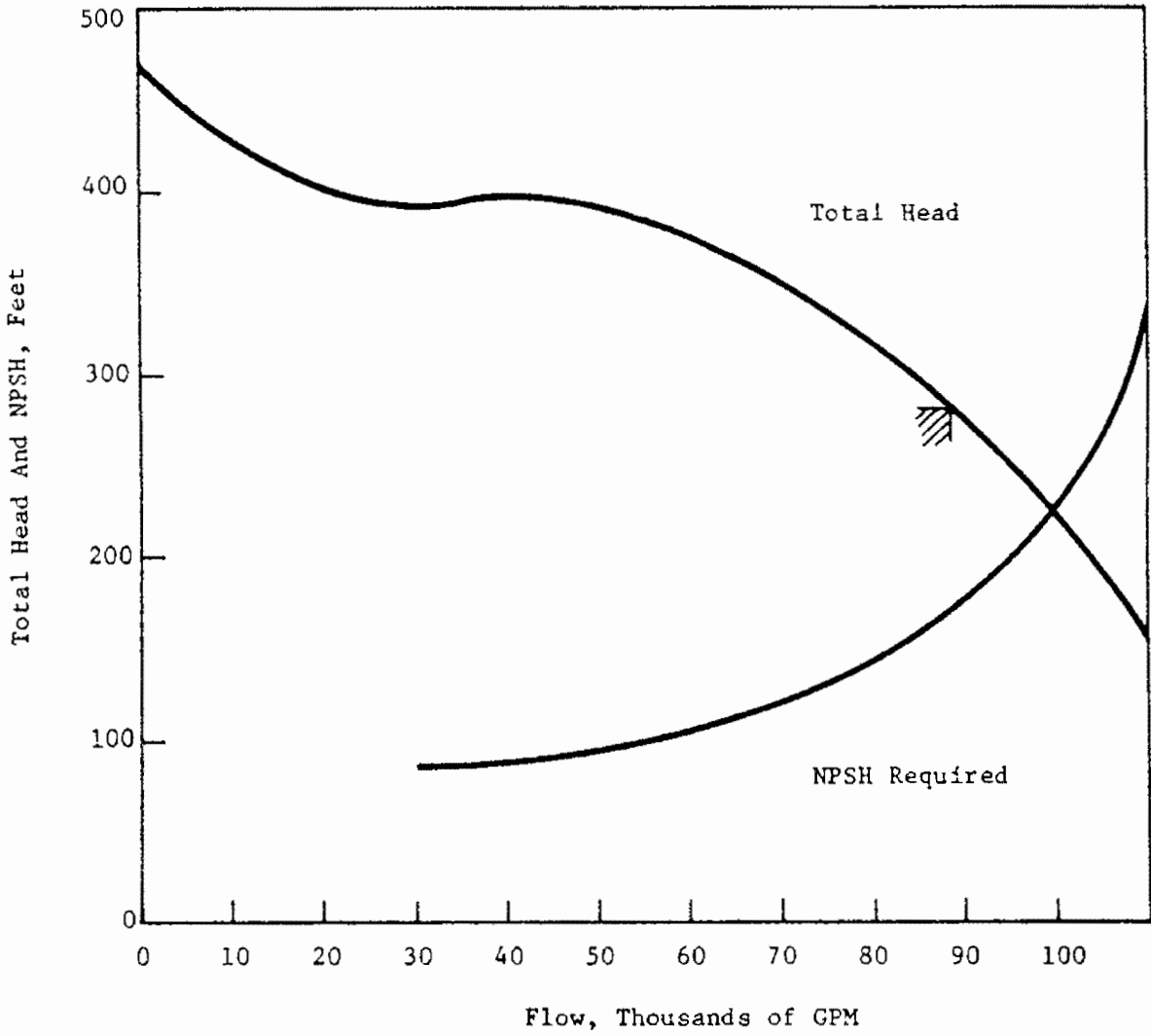
REVISION 6
FEBRUARY 15, 1987

PUBLIC SERVICE ELECTRIC AND GAS COMPANY
SALEM NUCLEAR GENERATING STATION

Cutaway View of Reactor Coolant Pump

Updated FSAR

Figure 5.1-4



REVISION 8
FEBRUARY 15, 1987

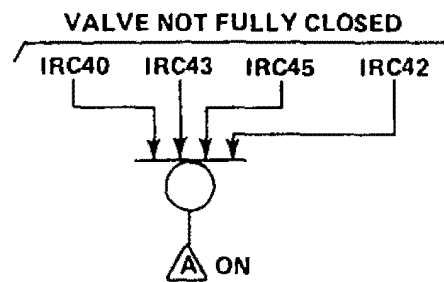
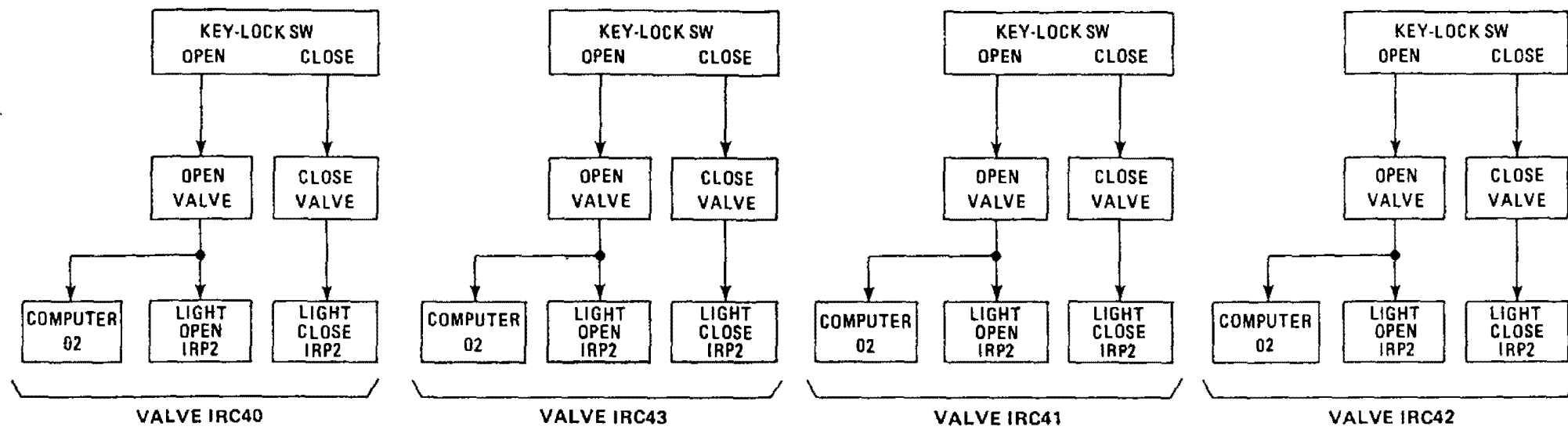
PUBLIC SERVICE ELECTRIC AND GAS COMPANY SALEM NUCLEAR GENERATING STATION	Reactor Coolant Pump Performance Characteristics	
	Updated FSAR	Figure 5.1-5

Figure F5.1-6A Sheets 1, 2 & 3 of 3 intentionally deleted.

Refer to plant drawing 205201 in DCRMS

Figure F5.1-6B Sheets 1, 2 & 3 of 3 intentionally deleted.

Refer to plant drawing 205301 in DCRMS



REVISION 6
FEBRUARY 15, 1987

Ref. Dwg. N/A

PUBLIC SERVICE ELECTRIC AND GAS COMPANY SALEM NUCLEAR GENERATING STATION	LOGIC DIAGRAM, HEAD VENT SYSTEM UNIT 1 & 2
	Updated FSAR Fig 5.1-6C

Figure F5.1-7 intentionally deleted.
Refer to plant drawing 204803 in DCRMS

Figure F5.1-8 intentionally deleted.
Refer to plant drawing 204804 in DCRMS

Figure F5.1-9 intentionally deleted.
Refer to plant drawing 204805 in DCRMS

Figure F5.1-10 intentionally deleted.
Refer to plant drawing 204806 in DCRMS

Figure F5.1-11 intentionally deleted.
Refer to plant drawing 204807 in DCRMS

SECURITY-RELATED
INFORMATION-WITHHELD
UNDER 10 CFR 2.390

REVISION 6, FEBUARY 15, 1987

PSEG NUCLEAR, L.L.C.
SALEM NUCLEAR GENERATING STATION

AUXILIARY BUILDING AND REACTOR
CONTAINMENT ELEVATION

Updated FSAR

Figure 5.1-12

Figure F5.1-13 intentionally deleted.
Refer to plant drawing 204808 in DCRMS