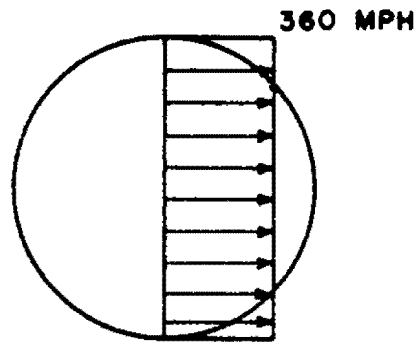
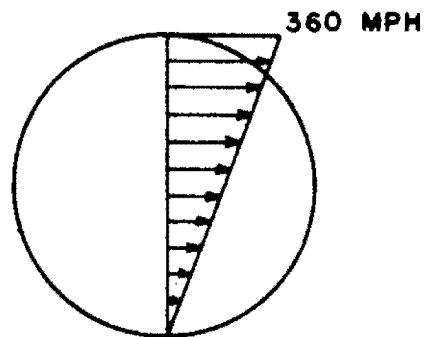


CASE I

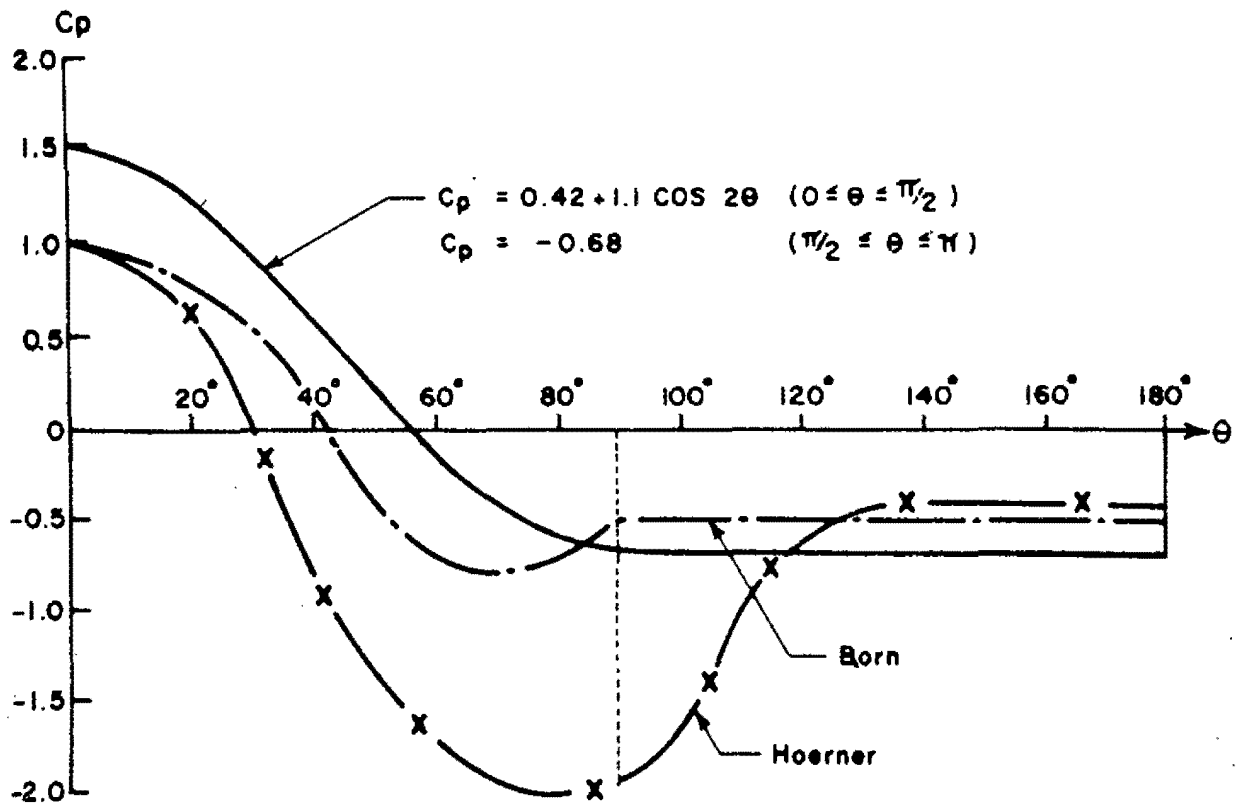


CASE II

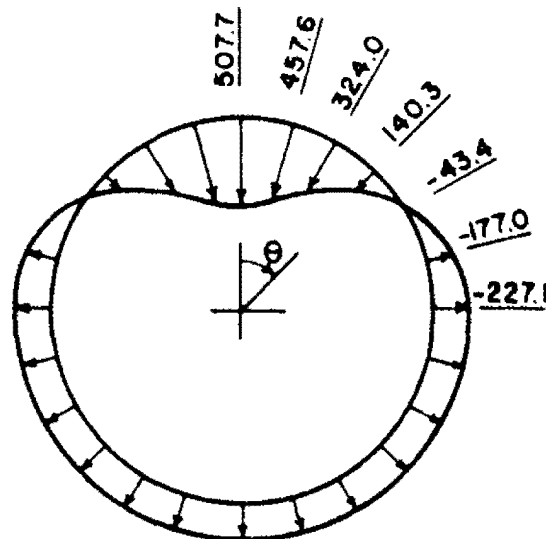


CASE III

REVISION 6
FEBRUARY 15, 1987



PRESSURE DISTRIBUTION AROUND CIRCULAR CYLINDERS



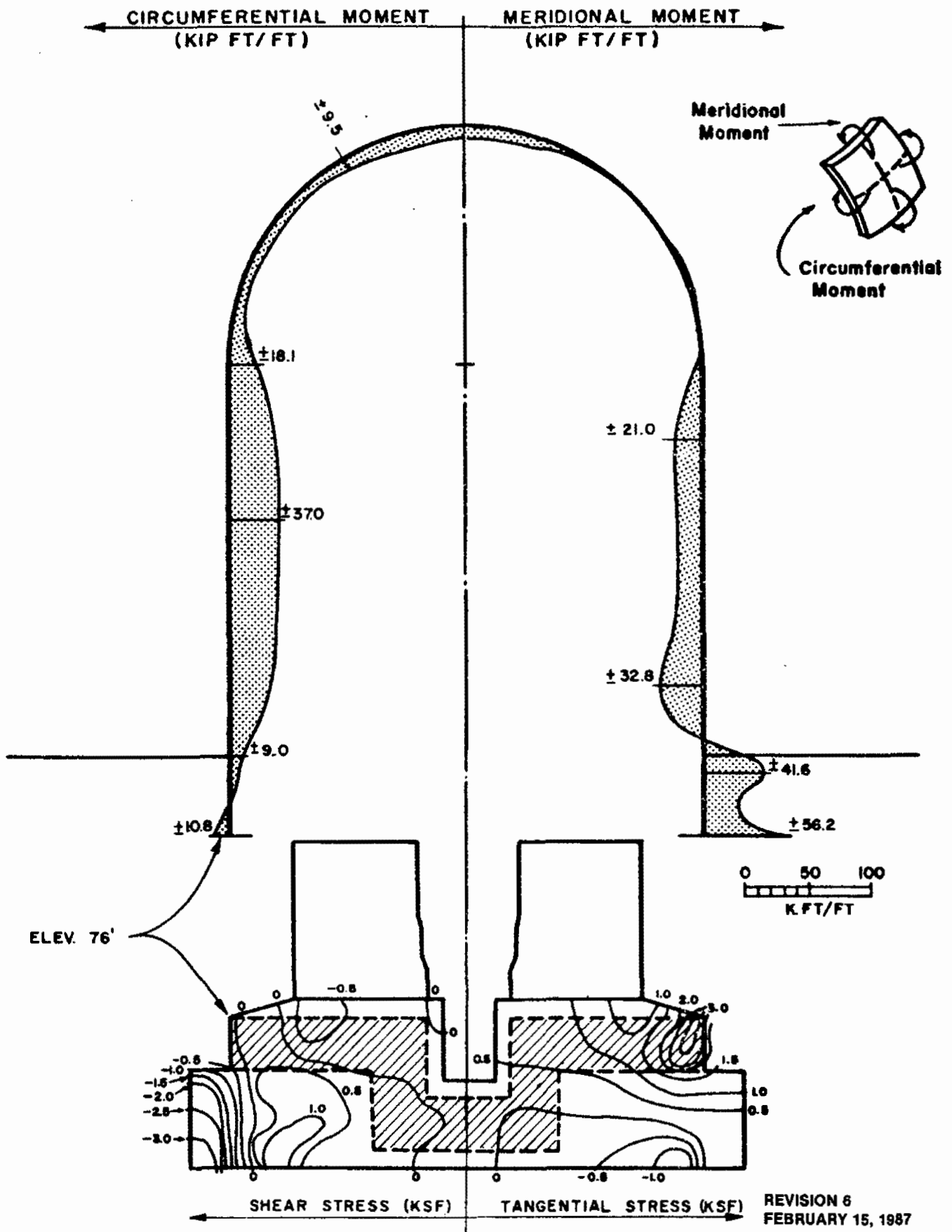
Values are in units of psf

PRESSURE DISTRIBUTION APPLIED IN
TORNADO ANALYSIS OF CONTAINMENT VESSEL

REVISION 6
FEBRUARY 15, 1987

PUBLIC SERVICE ELECTRIC AND GAS COMPANY SALEM NUCLEAR GENERATING STATION	Wind Velocity Distributions for Tornado Conditions
	Updated FSAR

FIG. 3.3-2

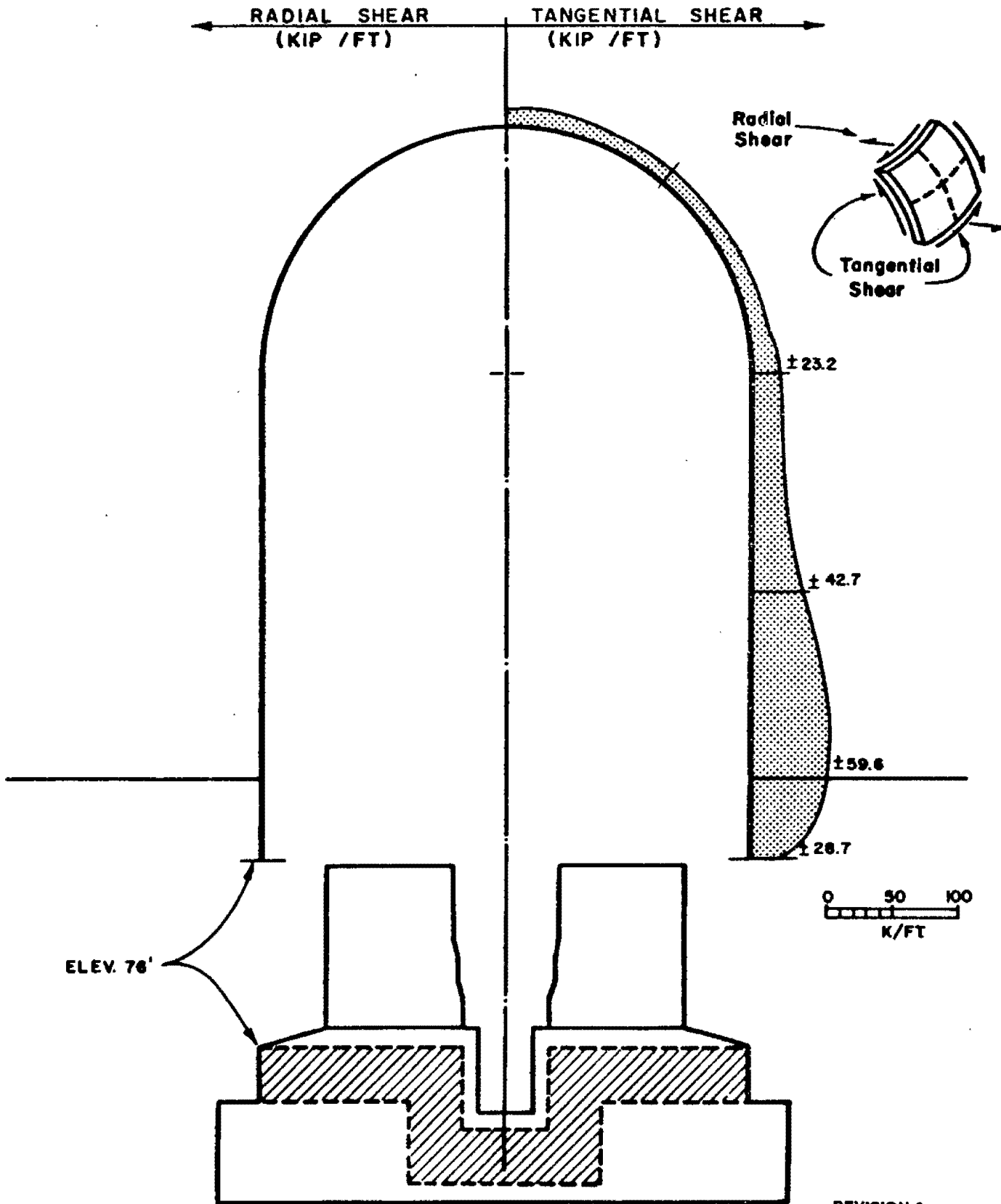


PUBLIC SERVICE ELECTRIC AND GAS COMPANY
SALEM NUCLEAR GENERATING STATION

Forces in Containment Vessel due to Tornado Wind Loads

Updated FSAR

Figure 3.3-4



REVISION 8
 FEBRUARY 15, 1987

PUBLIC SERVICE ELECTRIC AND GAS COMPANY SALEM NUCLEAR GENERATING STATION	Forces in Containment Vessel due to Tornado Wind Loads Updated FSAR
Figure 3.3-5	