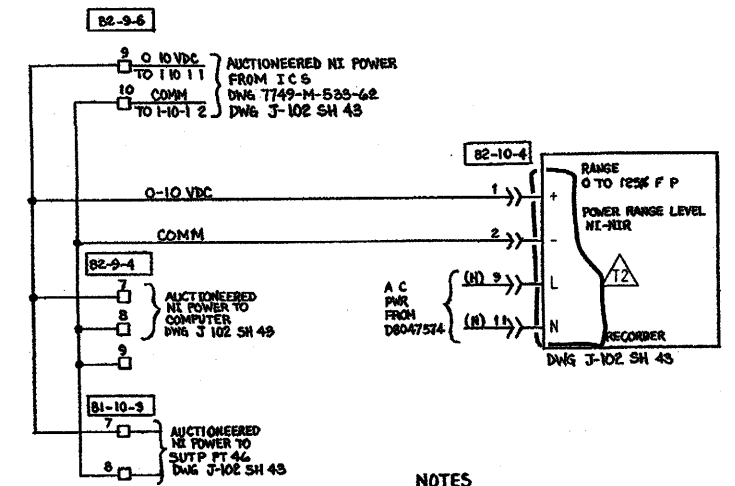
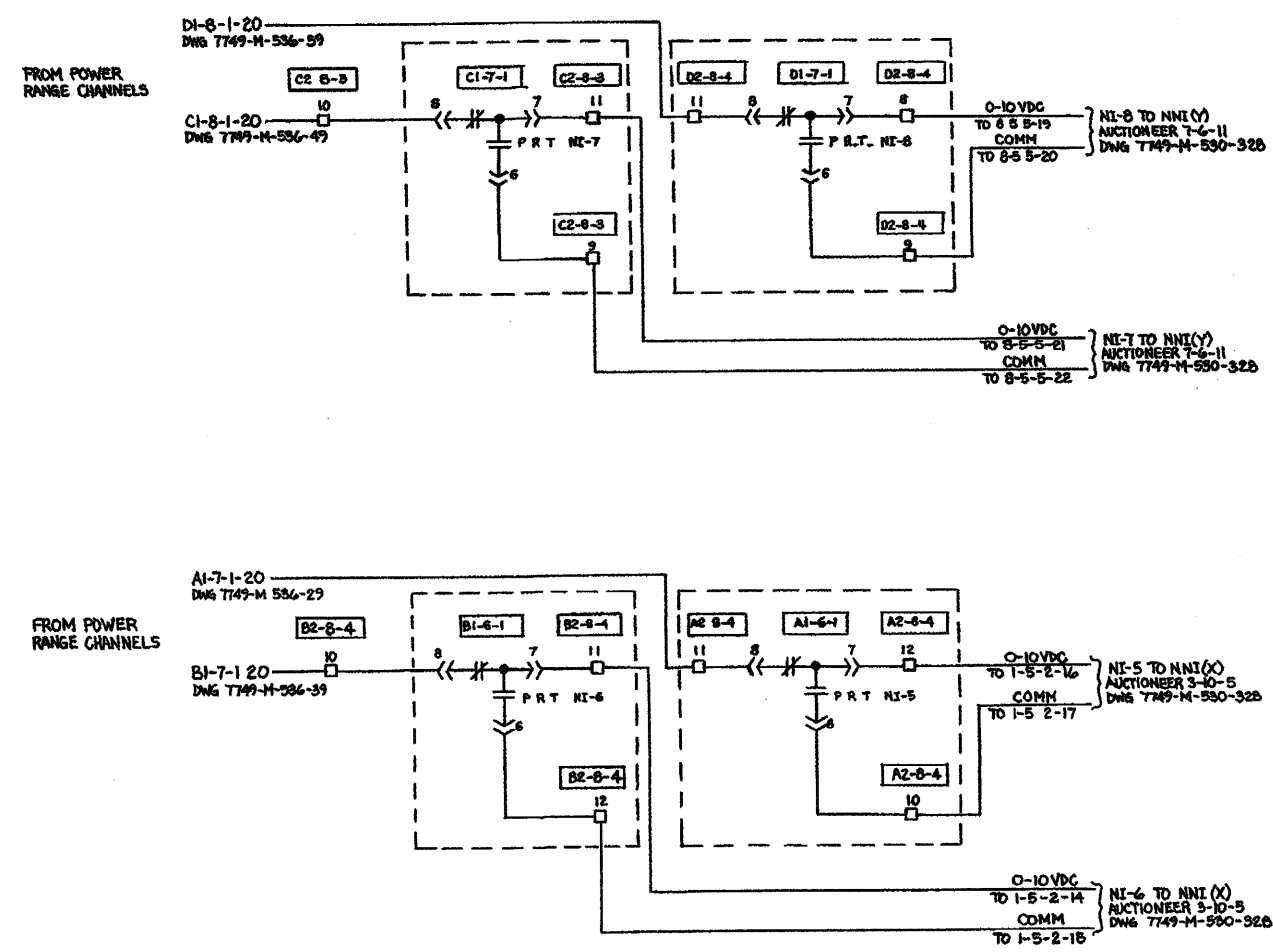


8 7 6 5 4 3 2 1

D
C
B
A



NOTES

- 1. DELETE WIRES LANDED ON B2-8-4-10 AND A2-8-4-10 AFTER REMOVAL OF NI POWER AVERAGE AND AUCTIONEER MODULES AS PART OF FCR 86-123

REFERENCE DWG'S.:

- D8047555 LEGEND & DRAWING REF.
- D8047538 EXTERNAL
- D8047542 EXTERNAL
- D8047544 EXTERNAL

7749-M-536-70-X-8

THIS DRAWING WAS REDRAWN/SCANNED ON CAD AND SUPERSEDES SUBMITTAL 3.

THE TOLEDO EDISON CO TO, EOO OHIO POWER ENGINEERING		DWG NO 26263 REV T2
Schematic Diagram AUCTIONEERED AVERAGE POWER		
DESIGNED BY D.A. [Signature]	DATE	JOB ORDER SCALE
DRAWN BY [Signature]	DATE	
CHECKED BY [Signature]	DATE	NOT TO SCALE
APPROVALS		

NO	DATE	REVISIONS	BY	CHK	ENGR	GEN	SUPV
1	01/19/06	INC. DCN M-536-70-6 PER ECR 05-0192-02 REV. 0 (REDRAWN)	SAS	[Signature]	[Signature]		
2	03/28/06	AS-BUILT FOR FCR 86-123, INC. VDCN M-536-70-4 AND FCR 86-123 SUPP 2, INC. VDCN M-536-70-5	[Signature]	[Signature]	[Signature]		

BARCOCK & MILLER DWG NO 02 10601810 00
 THIS DRAWING PREPARED BY BARCOCK & MILLER UNDER TASK AGREEMENT 74 ON MSC 582-7151
 REFERENCE DWG D8047599 C
 OTHER 7749-M-536-70-5
 REFERENCES BBW-1102 & 1103 BBW-1110 & 1113
 BBW/BECHTEL TELECON 328 80.6-4-2006