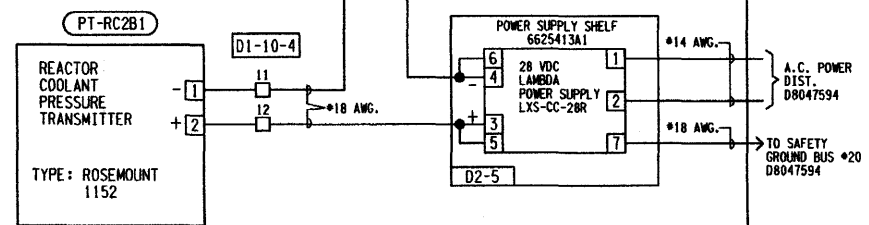
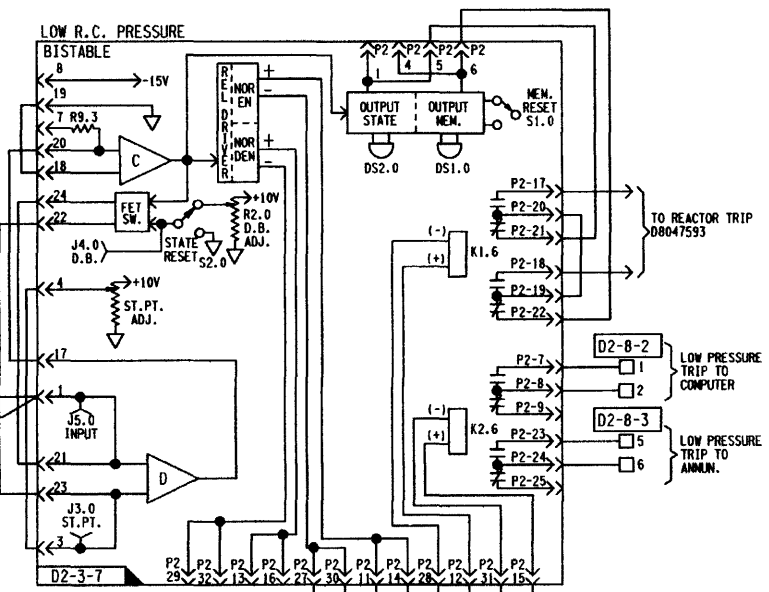
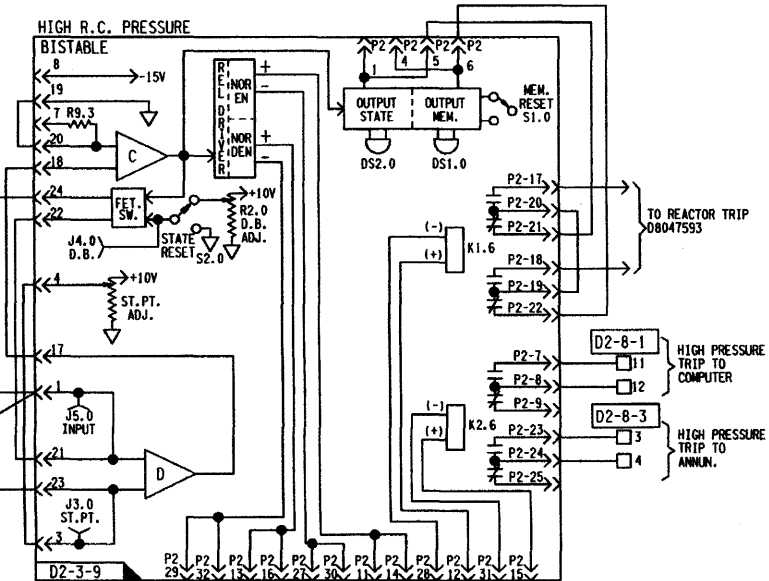
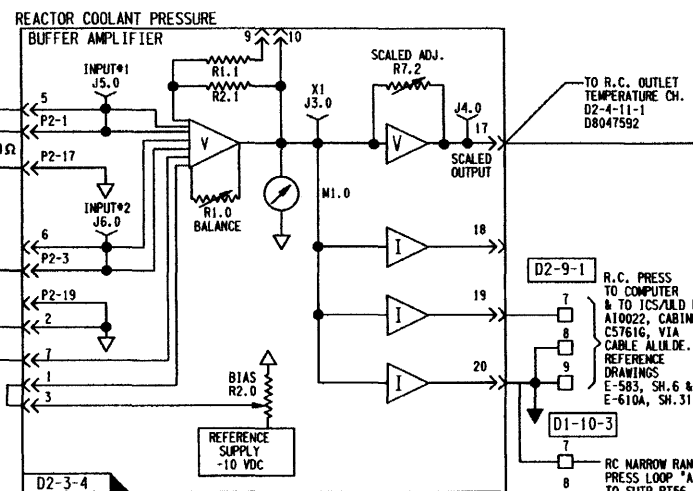
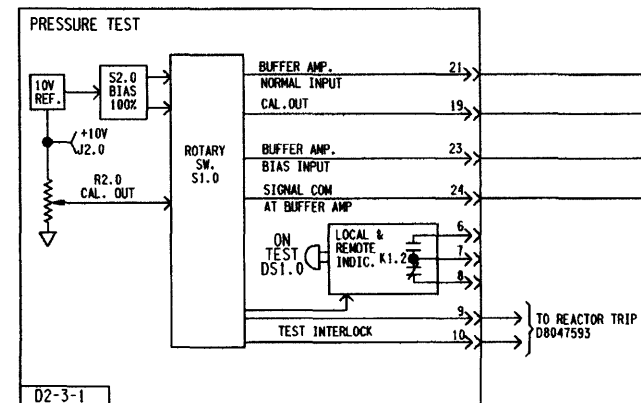


NOTE:  
ROSEMOUNT TRANSMITTERS  
SUPPLIED BY B & W - NPGD

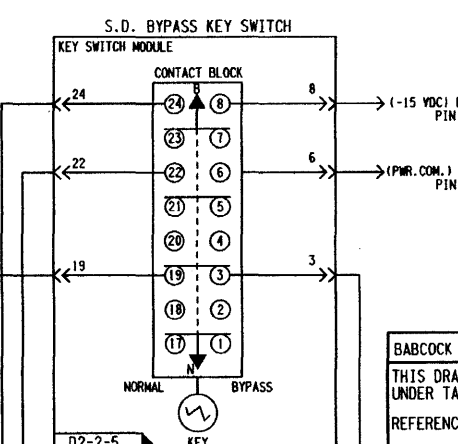
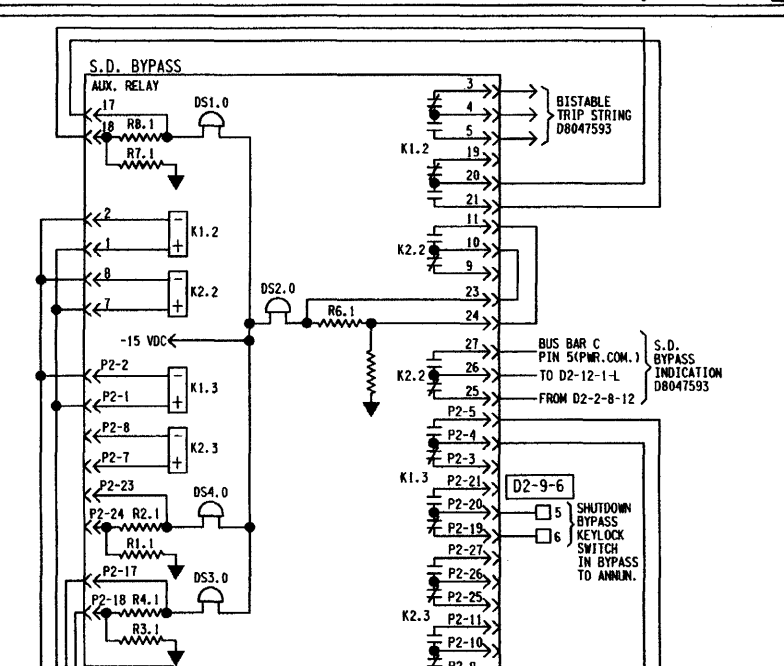
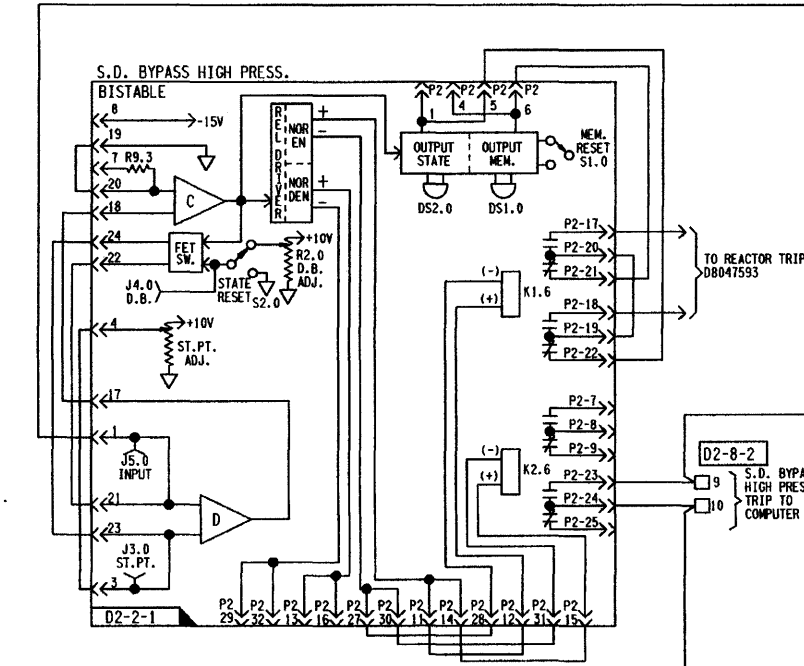


EXTERNAL WIRING  
(REACTOR BUILDING PENETRATION)



GENERAL NOTE:  
THIS DRAWING AT REVISION T1 WAS ISSUED  
AT SUBMITTAL 11 (SKIP SUBMITTAL 10). REFER TO  
NOTIF. 600709547 FOR HISTORY (1982)  
REASON. IT WAS FOR VT-285 AND VT-312, OLD  
VENDOR TRANSMITTERS AND NOTE IN COMMENTS  
IN FILENET "ISSUE NEXT SUBMITTAL AT 11".

REFERENCE DWG.'S  
D8047555 LEGEND & DRAWING REF.  
D8047545 EXTERNAL  
D8047546 EXTERNAL



BABCOCK & WILCOX DWG. NO. D2 1060178 D 00  
THIS DRAWING PREPARED BY BABCOCK & WILCOX  
UNDER TASK AGREEMENT 74 ON MSC 582-7151  
REFERENCE DWG. D8047591D  
OTHER 7749-M-536-64-7  
REFERENCES  
BBW-1102 & 1103 BBW-1110 & 1113  
B & W/BECHTEL TELECON 3-28-80 & 6-4-80  
FC\*32E

7749-M-536-64-X-12

THIS DRAWING WAS REDRAWN ON CAD AND SUPERSEDES SUBMITTAL 9.

T2	10/29/11	INC. DUN 11-0062-001-061 REV.00	SBW	JRC
T1	10/29/11	INC. DUN 02-0540-02-138 REV.00 & GEN. UPDATE ADD GENERAL NOTE FOR REF. WHY DWG. SUBMITTAL WAS SKIPPED (REF. NOTIF. 600709547) (REDRAWN)	INITIALS ON FILE	
NO.	DATE	REVISIONS	BY	CHK'D
SCALE NONE	DESIGNED	DRAWN SAC	DATE 07-14-11	
<b>DAVIS-BESSE NUCLEAR POWER STATION UNIT NO. 1</b>				
<b>SCHEMATIC DIAGRAM REACTOR COOLANT PRESSURE CHANNEL SUBASSEMBLY "D"</b>				
BABCOCK & WILCOX DRAWING NO.		SHEET NO.		REV.
26260 REV.01		N/A		T2