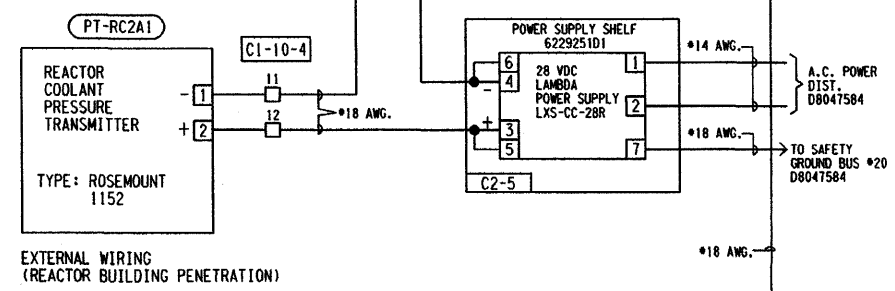
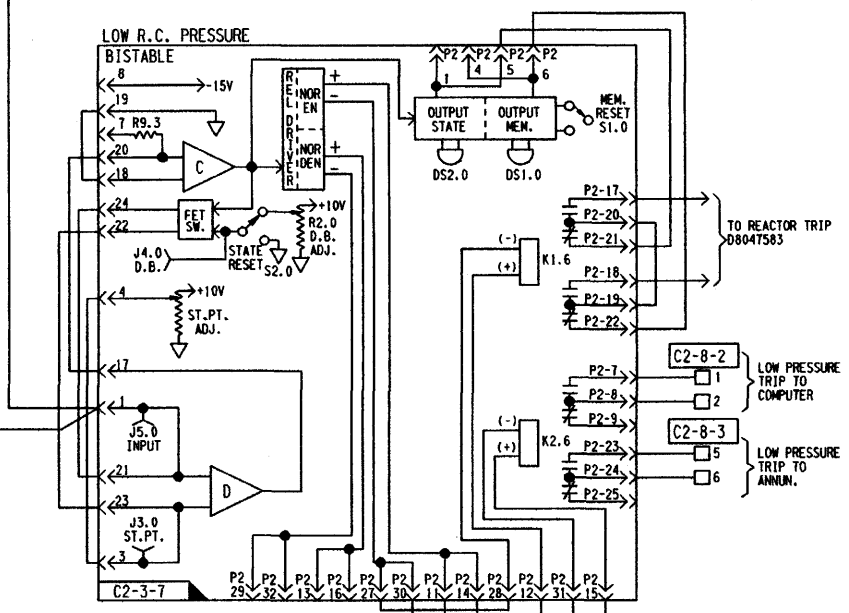
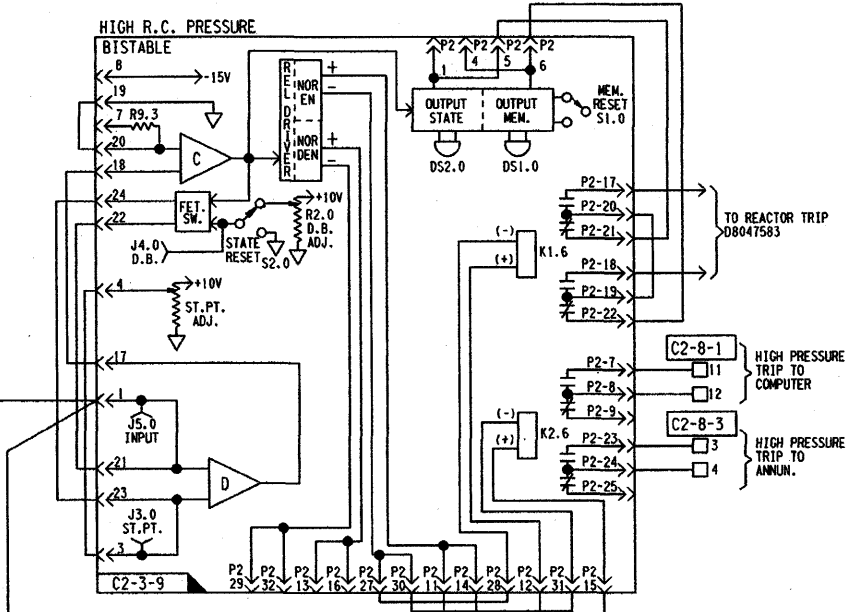
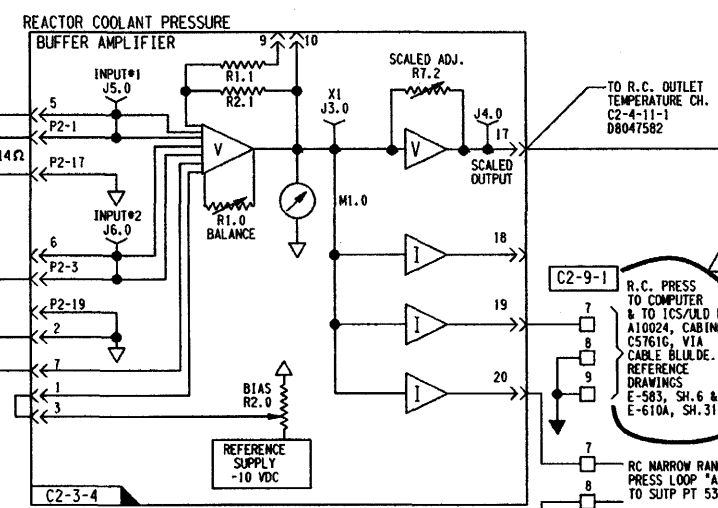
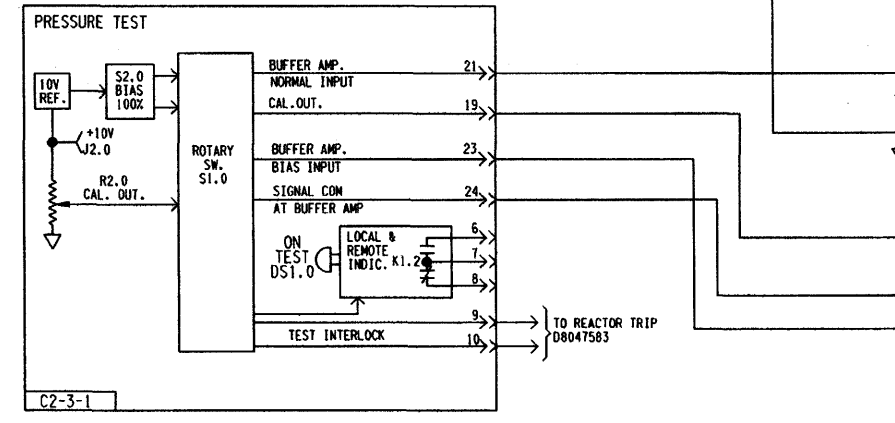


NOTE:
ROSEMOUNT TRANSMITTERS
SUPPLIED BY B & W, NPGD

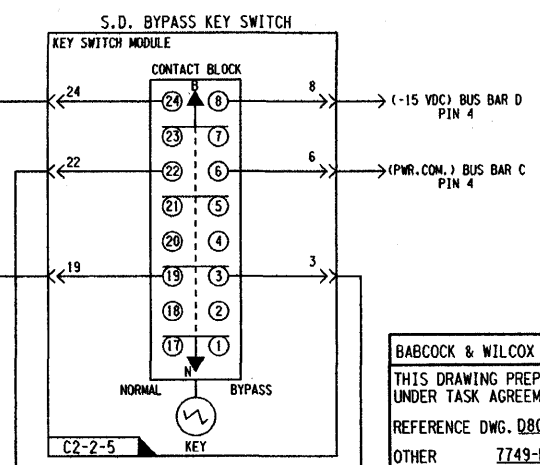
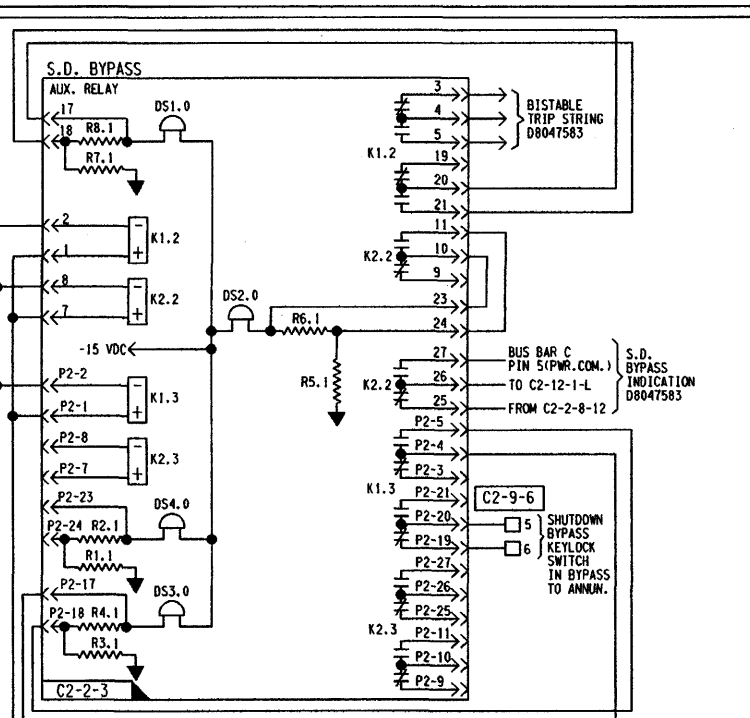
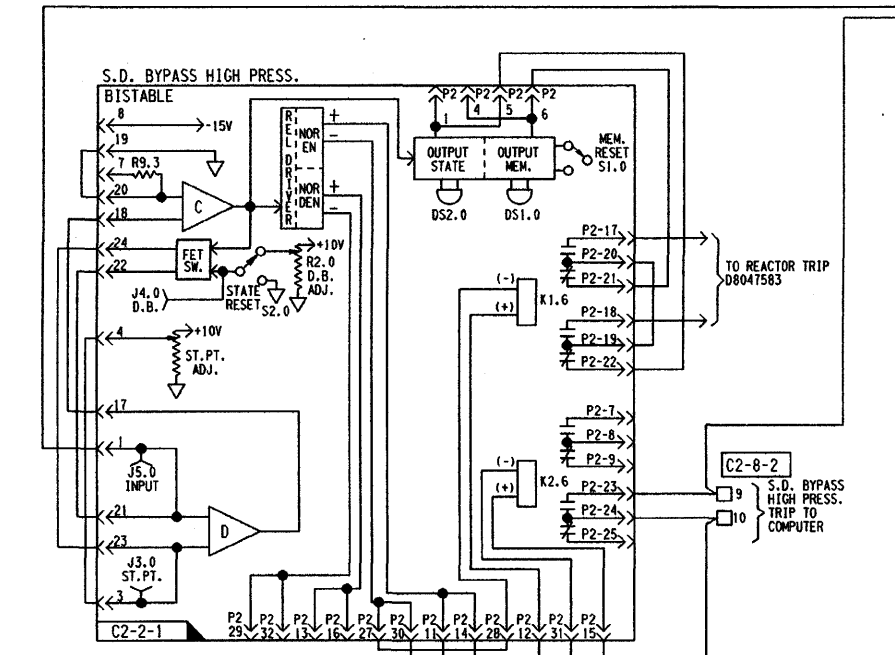


EXTERNAL WIRING
(REACTOR BUILDING PENETRATION)



GENERAL NOTE:
THIS DRAWING AT REVISION T1 WAS ISSUED AT SUBMITTAL 11 (SKIP SUBMITTAL 10). REFER TO NOTIF. 600709547 FOR HISTORY (1982) REASON. IT WAS FOR VT-285 AND VT-312, OLD VENDOR TRANSMITTAL'S AND NOTE IN COMMENTS IN FILENET "ISSUE NEXT SUBMITTAL AT 11".

REFERENCE DWG.'S
DB047555 LEGEND & DRAWING REF.
DB047543 EXTERNAL
DB047544 EXTERNAL



BABCOCK & WILCOX DWG. NO. 02 1060170 D 00
THIS DRAWING PREPARED BY BABCOCK & WILCOX UNDER TASK AGREEMENT 74 ON MSC 582-7151
REFERENCE DWG. DB047581D
OTHER 7749-M-536-54-7
REFERENCES
BBW-1102 & 1103 BBW-1110 & 1113
FC#32
B & W/BECHTEL TELECON 3-28-80 & 6-4-80

7749-M-536-54-11

THIS DRAWING WAS REDRAWN ON CAD AND SUPERSEDES SUBMITTAL 9.

| NO. | DATE | REVISIONS | BY | CHK | ENGR. | ENGR. SUPV. |
|-----|---------|------------------------------------------------------------------------------------------------------------------------------------------|-----|-----|-------|-------------|
| T1 | 10/6/11 | INC. DUN 02-0540-02-137 REV. 00 & GEN. UPDATE ADD GENERAL NOTE FOR REF. WHY DWG. SUBMITTAL WAS SKIPPED (REF. NOTIF. 600709547) (REDRAWN) | SBW | | | |

SCALE NONE DESIGNED DRAWN SAC DATE 07-13-11

**DAVIS-BESSE NUCLEAR POWER STATION
UNIT NO. 1**

**SCHEMATIC DIAGRAM
REACTOR COOLANT PRESSURE CHANNEL
SUBASSEMBLY "C"**

| BABCOCK & WILCOX DRAWING NO. | SHEET NO. | REV. |
|---------------------------------|--------------|------|
| 26253 | N/A | T1 |