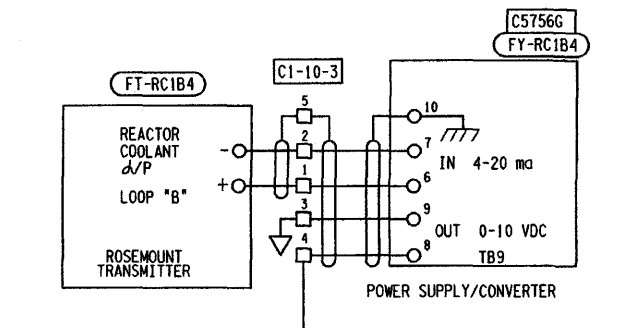
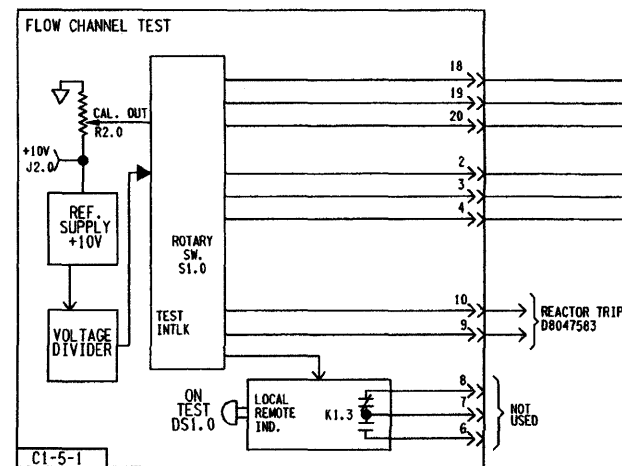
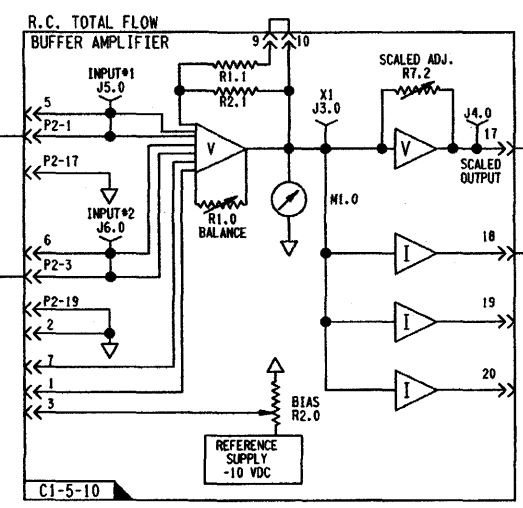
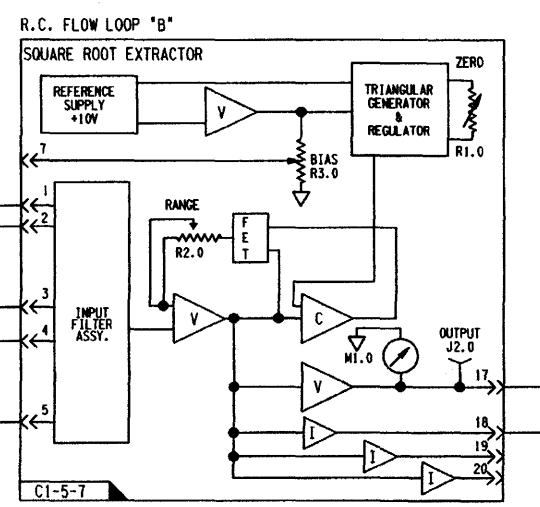
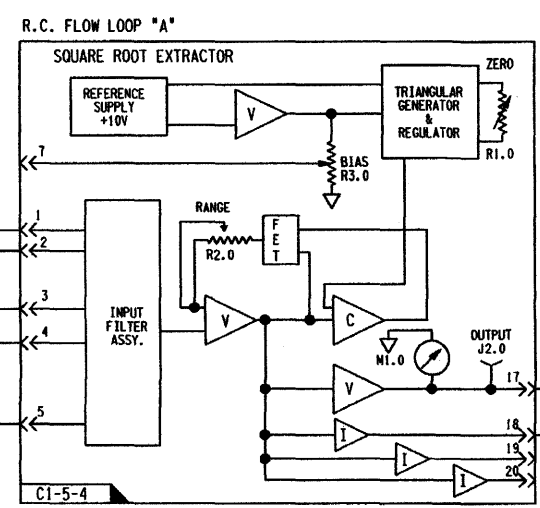


EXTERNAL WIRING  
REACTOR BUILDING  
PENETRATION



EXTERNAL WIRING  
REACTOR BUILDING  
PENETRATION



R.C. LOOP "A"  
FLOW TO COMPUTER  
& TO ICS/ULD PT.  
A10050, CABINET  
C57616, VIA CABLE  
BLUDD. REF. DWG'S.  
E-583, SH.6 &  
E-610A, SH.31.

TO FUNCTION  
GENERATOR  
POWER RANGE  
CHANNEL  
D8047577

R.C. TOTAL FLOW TO  
COMPUTER AND TO ICS/ULD  
PT. A10028, CABINET C57616,  
VIA CABLE BLUDD.  
REFERENCE DWG'S E-583, SH.6  
& E-610A, SH.31.

BABCOCK & WILCOX  
DRAWING NUMBER  
620-0014  
23 02 426 02

7749-M-536-53-X-7

THIS DRAWING WAS REDRAWN ON CAD AND SUPERSEDES SUBMITTAL 5.

T3	09/15/11	GENERAL UPDATE: ADD PROPRIETARY NOTE REFERENCE BACK (NOT CARRIED FORWARD AT T2 UPDATE) PER REVIEW OF HISTORY RECORD FOR PREVIOUS SUBMITTAL. (REF. CR 2012-08589).	SAC				
T2		INC. DUN 02-0540-02-73 REV. 01 & GEN. UPDATE REVISE "C57566" TO "C57566" PER REVIEW OF HISTORY DOCUMENTS AND RELATED DWG. J-114, SH. 4A, AND ENG. CONCURRENCE. DFT. ERROR MADE AT REV. T1, SUBMITTAL 5. NOTIF. 600695912 (REDRAWN)					INITIALS ON FILE
NO.	DATE	REVISIONS	BY	CHK'G	ENGR.	ENGR. SUPP.	
SCALE NONE		DESIGNED	DRAWN SAC		DATE 6-21-11		
<b>DAVIS-BESSE NUCLEAR POWER STATION UNIT NO. 1</b>							
<b>SCHEMATIC DIAGRAM REACTOR COOLANT FLOW CHANNEL SUBASSEMBLY "C"</b>							
REFERENCE DWG.'S D8047555 LEGEND & DRAWING REF. D8047543 EXTERNAL D8047544 EXTERNAL						CUSTOMER: TOLEDO EDISON COMPANY PLANT: DAVIS-BESSE NUCLEAR, UNIT #1 CONTRACTING ENG.: BECHTEL B.N.CO. JOB NO.: 1220M	
THIS DRAWING IS THE PROPERTY OF BAILEY METER COMPANY NEITHER THE DRAWING, NOR REPRODUCTION OF IT, NOR INFORMATION DERIVED FROM IT IS TO BE GIVEN TO OTHERS. NO USE IS TO BE MADE OF IT WHICH IS OR MAY BE INJURIOUS TO BAILEY METER COMPANY.			BAILEY METER COMPANY DRAWING NO. <b>D8047580C</b>		SHEET NO. N/A	REV. T3	020592LJ CUST. ORDER NO.: 620-0014