

- B2-2-5 SHUTDOWN BYPASS KEYLOCK SWITCH
- B2-2-3 SHUTDOWN BYPASS AUX. RELAY
- B2-2-1 SHUTDOWN BYPASS HIGH PRESS. BISTABLE
- B2-3-9 HIGH PRESSURE BISTABLE
- B2-3-4 PRESSURE BUFFER AMP.
- B2-4-4 LINEAR BRIDGE
- B2-4-6 SIGNAL CONVERTER
- B2-4-9 HIGH R.C. OUTLET TEMPERATURE BISTABLE
- B2-4-11 PRESSURE/TEMPERATURE BISTABLE
- B2-3-7 LOW PRESSURE BISTABLE
- B1-7-10 OVERPOWER BISTABLE
- B1-7-7 FUNCTION GENERATOR
- B1-7-4 DELTA R.P. AMPLIFIER NI-6
- B1-7-1 TOTAL POWER SUMMER NI-6
- B1-6-1 POWER RANGE TEST MODULE NI-6
- B1-6-4 LINEAR AMP. TOP NI-6
- B1-6-7 LINEAR AMP. BOTTOM NI-6
- B1-6-13 POWER RANGE DETECTOR P.S. NI-6
- B1-4-10 TOTAL FLOW SUMMER
- B1-4-7 LOOP B SQUARE ROOT EXTRACTOR
- B1-4-4 LOOP A SQUARE ROOT EXTRACTOR
- B1-4-13 POWER/IMBALANCE/FLOW BISTABLE
- B1-5-14 REACTOR BUILDING HIGH PRESS. CONTACT BUFFER
- B1-3-13 CONTACT MONITOR AUXILIARY POWER SUPPLY
- B1-3-7 POWER/PUMPS BISTABLE
- B1-3-4 CONTACT MONITOR

SHEET 1 NOTES:
 1. THIS IS A "FUNCTIONAL" SCHEMATIC FOR USE WITH THE BAILEY 880 REACTOR TRIP MODULE. THEREFORE, SOME DETAIL IS NOT SHOWN (EXAMPLE: RELAY COIL DIODE SUPPRESSION). AN EQUIVALENT SCHEMATIC FOR THE FRAMATOME REACTOR TRIP MODULE IS SHOWN ON SHEET 2. ADDITIONAL INTERNAL DETAIL IS AVAILABLE FROM THE BAILEY DOCUMENTATION IN VENDOR MANUAL M-536-101.
 2. THIS SHEET 1 IS IDENTICAL TO SHEET 2 WITH THE EXCEPTION OF THE REACTOR TRIP MODULE INTERNALS. DETAILS EXTERNAL TO THE REACTOR TRIP MODULE ITSELF SHALL BE MAINTAINED IDENTICAL FOR BOTH SHEET 1 AND 2.

THIS SHEET IS FOR USE WITH THE BAILEY 880 REACTOR TRIP MODULE ONLY. USE SHEET 2 WHEN USING THE FRAMATOME MANUFACTURED MODULE.

REFERENCE DWGS.:
 D8047555 LEGEND & DRAWING REF.
 D8047541 EXTERNAL
 D8047542 EXTERNAL
 D8047538 EXTERNAL

7749-M-536-46-X-X-7
 SHEET 1 OF 2

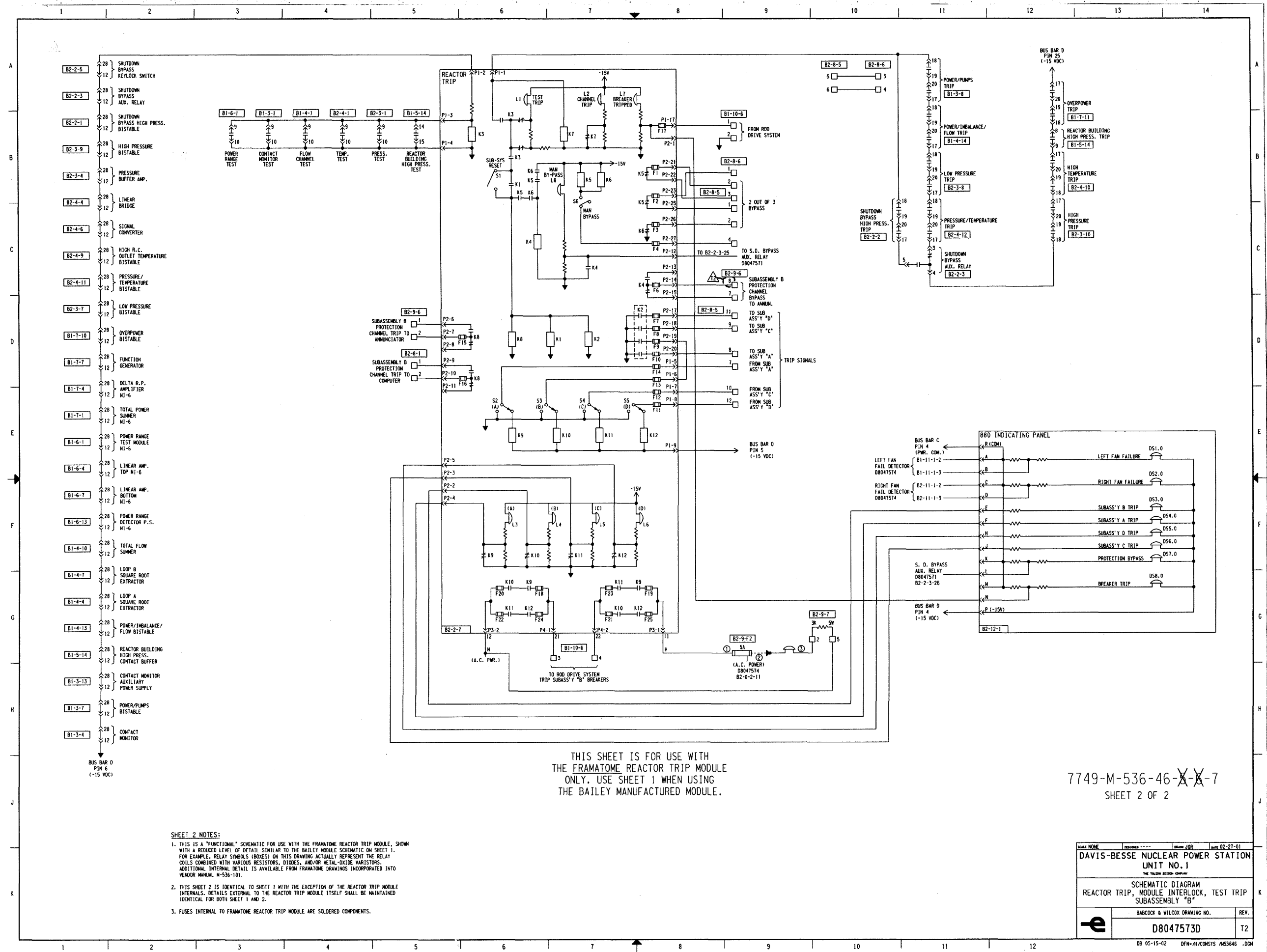
THIS DWG. WAS REDRAWN ON CADD AND SUPERSEDES SUBMITTAL 5

NO.	DATE	REVISIONS	BY	CHK'D	APP'D
1					

DAVIS-BESSE NUCLEAR POWER STATION
 UNIT NO. 1
 SCHEMATIC DIAGRAM
 REACTOR TRIP, MODULE INTERLOCK, TEST TRIP
 SUBASSEMBLY "B"

BABCOCK & WILCOX DRAWING NO. REV.
D8047573D T2

B. N. CO. JOB NO. 1220M
 CUST. ORDER NO. 020592LJ, 620-0014



SHEET 2 NOTES:

1. THIS IS A "FUNCTIONAL" SCHEMATIC FOR USE WITH THE FRAMATOME REACTOR TRIP MODULE, SHOWN WITH A REDUCED LEVEL OF DETAIL SIMILAR TO THE BAILEY MODULE SCHEMATIC ON SHEET 1. FOR EXAMPLE, RELAY SYMBOLS (BOXES) ON THIS DRAWING ACTUALLY REPRESENT THE RELAY COILS COMBINED WITH VARIOUS RESISTORS, DIODES, AND/OR METAL-OXIDE VARISTORS. ADDITIONAL INTERNAL DETAIL IS AVAILABLE FROM FRAMATOME DRAWINGS INCORPORATED INTO VENDOR MANUAL N-536-101.
2. THIS SHEET 2 IS IDENTICAL TO SHEET 1 WITH THE EXCEPTION OF THE REACTOR TRIP MODULE INTERNALS. DETAILS EXTERNAL TO THE REACTOR TRIP MODULE ITSELF SHALL BE MAINTAINED IDENTICAL FOR BOTH SHEET 1 AND 2.
3. FUSES INTERNAL TO FRAMATOME REACTOR TRIP MODULE ARE SOLDERED COMPONENTS.

7749-M-536-46-~~X-X~~-7
SHEET 2 OF 2

DATE NONE	DESIGNED	DRAWN JDR	DATE 02-27-81
DAVIS-BESSE NUCLEAR POWER STATION UNIT NO. 1			
<small>THE YELLOW CORP. COMPANY</small>			
SCHEMATIC DIAGRAM REACTOR TRIP, MODULE INTERLOCK, TEST TRIP SUBASSEMBLY "B"			
BARCOCK & WILCOX DRAWING NO.		REV.	
D8047573D		T2	
<small>DB 05-15-02 DFN-AI/CONSTS AKS546 .DGN</small>			