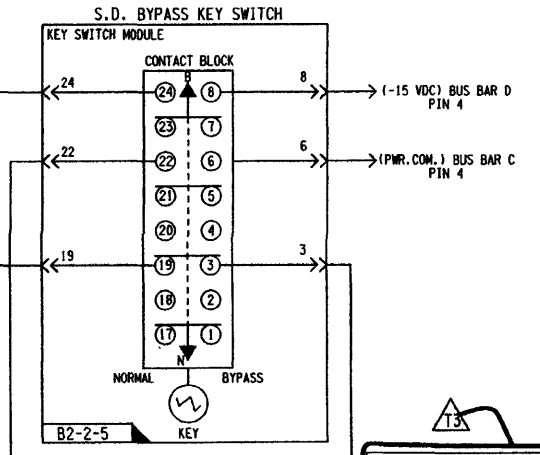
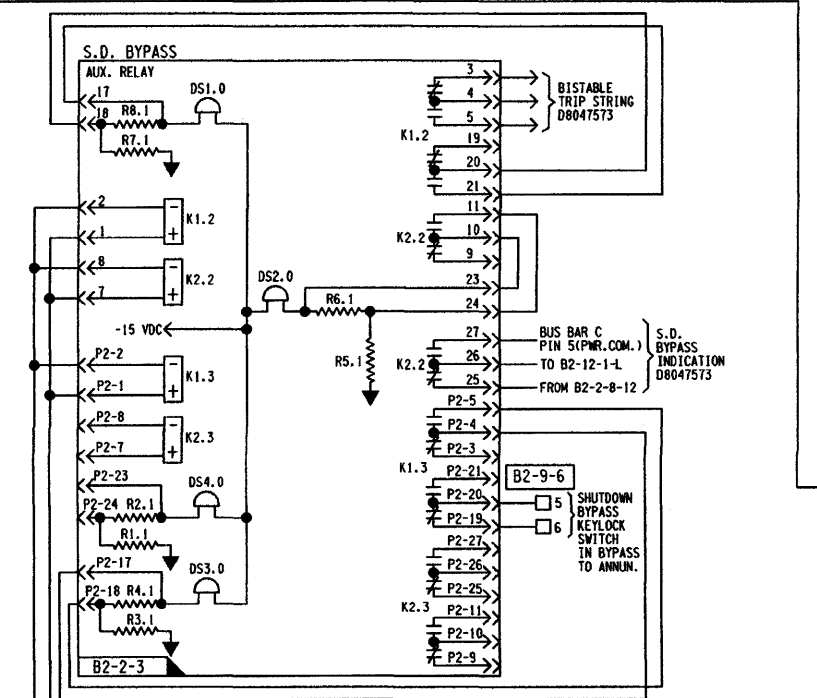
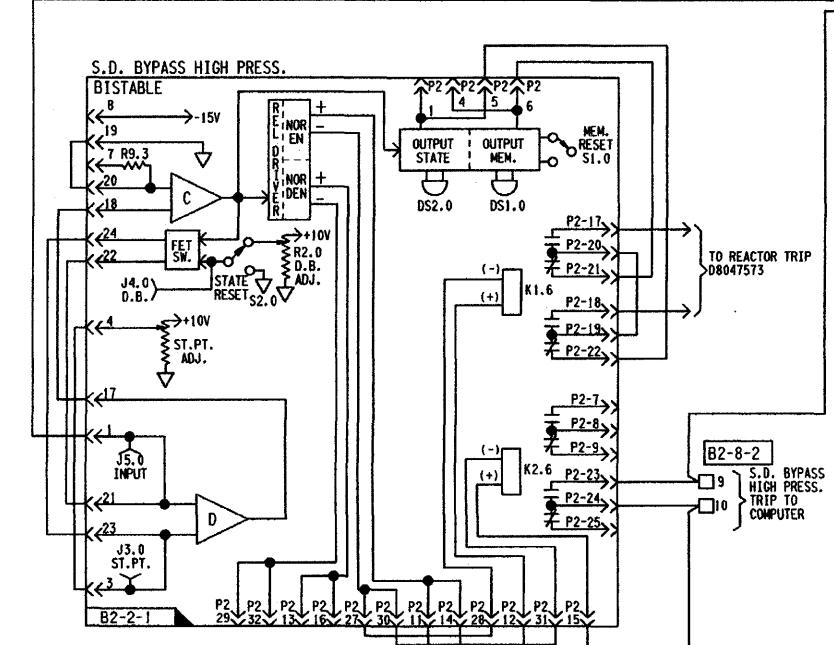


B & W DOCUMENT NUMBER
23 02 417 03

REFERENCE DWG.'S
D8047555 LEGEND & DRAWING REF.
D8047541 EXTERNAL
D8047542 EXTERNAL



7749-M-536-44-10-11

THIS DRAWING WAS REDRAWN ON CAD AND SUPERSEDES SUBMITTAL 9.

GENERAL UPDATE: ADD PROPRIETARY NOTE REFERENCE BACK (NOT CARRIED FORWARD AT T2 UPDATE) PER REVIEW OF HISTORY RECORD FOR PREVIOUS SUBMITTAL. (REF. CR 2012-085891).		SAC	INITIALS ON FILE
NO.	DATE	REVISIONS	BY CH'K ENDR. ENGR. SUPP.
SCALE NONE	DESIGNED	DRAWN SAC	DATE 07-13-11
DAVIS-BESSE NUCLEAR POWER STATION UNIT NO. 1			
SCHEMATIC DIAGRAM REACTOR COOLANT PRESSURE CHANNEL SUBASSEMBLY "B"			
CUSTOMER: TOLEDO EDISON COMPANY PLANT: DAVIS-BESSE NUCLEAR, UNIT #1 CONTRACTING ENG.: BECHTEL S.M. CO. JOB NO.: 1220M		CUST. ORDER NO.: 620-0014	020592L1
BAILEY METER COMPANY DRAWING NO.		SHEET NO.	REV.
D8047571 E		N/A	T3

THIS DRAWING IS THE PROPERTY OF BAILEY METER COMPANY NEITHER THE DRAWING, NOR REPRODUCTION OF IT, NOR INFORMATION DERIVED FROM IT IS TO BE GIVEN TO OTHERS. NO USE IS TO BE MADE OF IT WHICH IS OR MAY BE INJURIOUS TO BAILEY METER COMPANY.