

- A2-2-5 SHUTDOWN BYPASS KEYLOCK SWITCH
- A2-2-3 SHUTDOWN BYPASS AUX. RELAY
- A2-2-1 SHUTDOWN BYPASS HIGH PRESS. BISTABLE
- A2-3-9 HIGH PRESSURE BISTABLE
- A2-3-4 PRESSURE BUFFER AMP.
- A2-4-4 LINEAR BRIDGE
- A2-4-6 SIGNAL CONVERTER
- A2-4-9 HIGH R.C. OUTLET TEMPERATURE BISTABLE
- A2-4-11 PRESSURE/TEMPERATURE BISTABLE
- A2-3-7 LOW PRESSURE BISTABLE
- A1-7-10 OVERPOWER BISTABLE
- A1-7-7 FUNCTION GENERATOR
- A1-7-4 DELTA R.P. AMPLIFIER NI-5
- A1-7-1 TOTAL POWER SUMMER NI-5
- A1-6-1 POWER RANGE TEST MODULE NI-5
- A1-6-4 LINEAR AMP. TOP NI-5
- A1-6-7 LINEAR AMP. BOTTOM NI-5
- A1-6-13 POWER RANGE DETECTOR P.S. NI-5
- A1-4-10 TOTAL FLOW SUMMER
- A1-4-7 LOOP B SQUARE ROOT EXTRACTOR
- A1-4-4 LOOP A SQUARE ROOT EXTRACTOR
- A1-4-13 POWER/IMBALANCE/FLOW BISTABLE
- A1-5-14 REACTOR BUILDING HIGH PRESS. CONTACT BUFFER
- A1-3-13 CONTACT MONITOR AUXILIARY POWER SUPPLY
- A1-3-7 POWER/PUMPS BISTABLE
- A1-3-4 CONTACT MONITOR

SHEET 1 NOTES:

- THIS IS A "FUNCTIONAL" SCHEMATIC FOR USE WITH THE BAILEY 880 REACTOR TRIP MODULE. THEREFORE, SOME DETAIL IS NOT SHOWN (EXAMPLE: RELAY COIL DIODE SUPPRESSION). AN EQUIVALENT SCHEMATIC FOR THE FRAMATOME REACTOR TRIP MODULE IS SHOWN ON SHEET 2. ADDITIONAL INTERNAL DETAIL IS AVAILABLE FROM THE BAILEY DOCUMENTATION IN VENDOR MANUAL N-536-101.
- THIS SHEET 1 IS IDENTICAL TO SHEET 2 WITH THE EXCEPTION OF THE REACTOR TRIP MODULE INTERNALS. DETAILS EXTERNAL TO THE REACTOR TRIP MODULE ITSELF SHALL BE MAINTAINED IDENTICAL FOR BOTH SHEET 1 AND 2.

THIS SHEET IS FOR USE WITH THE BAILEY 880 REACTOR TRIP MODULE ONLY. USE SHEET 2 WHEN USING THE FRAMATOME MANUFACTURED MODULE.

REFERENCE DWGS.:
 D8047555 LEGEND & DRAWING REF.
 D8047530 EXTERNAL
 D8047533 EXTERNAL
 D8047540 EXTERNAL

7749-M-536-36-X-5
 SHEET 1 OF 2

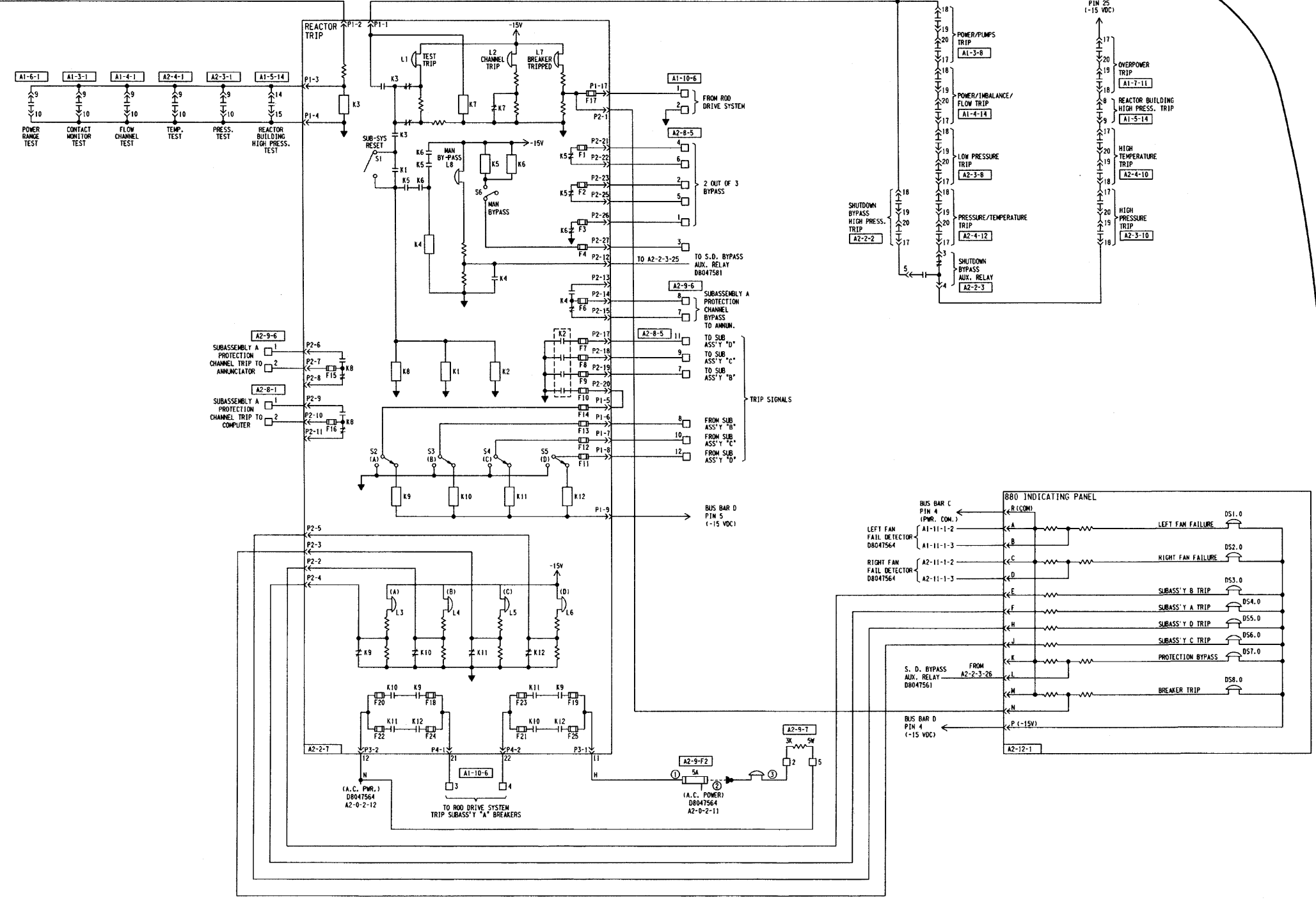
THIS DWG. WAS REDRAWN ON CADD AND SUPERSEDES SUBMITTAL 4.			
NO.	DATE	REVISION	BY
DAVIS-BESSE NUCLEAR POWER STATION UNIT NO. 1			
THE TRUSSARDI COMPANY			
SCHEMATIC DIAGRAM REACTOR TRIP, MODULE INTERLOCK, TEST TRIP SUBASSEMBLY "A"			
BACOCK & WILCOX DRAWING NO.			REV.
D8047563D			T1

B.M. CO. JOB NO. 1222M
 CUST. ORDER NO. 020592J, 620-0014

1 2 3 4 5 6 7 8 9 10 11 12 13 14

A
B
C
D
E
F
G
H
J
K

- A2-2-5 SHUTDOWN BYPASS KEYLOCK SWITCH
- A2-2-3 SHUTDOWN BYPASS AUX. RELAY
- A2-2-1 SHUTDOWN BYPASS HIGH PRESS. BISTABLE
- A2-3-9 HIGH PRESSURE BISTABLE
- A2-3-4 PRESSURE BUFFER AMP.
- A2-4-4 LINEAR BRIDGE
- A2-4-6 SIGNAL CONVERTER
- A2-4-9 HIGH R.C. OUTLET TEMPERATURE BISTABLE
- A2-4-11 PRESSURE/TEMPERATURE BISTABLE
- A2-3-7 LOW PRESSURE BISTABLE
- A1-7-10 OVERPOWER BISTABLE
- A1-7-7 FUNCTION GENERATOR
- A1-7-4 DELTA R.P. AMPLIFIER W1-5
- A1-7-1 TOTAL POWER SUMMER W1-5
- A1-6-1 POWER RANGE TEST MODULE W1-5
- A1-6-4 LINEAR AMP. TOP W1-5
- A1-6-7 LINEAR AMP. BOTTOM W1-5
- A1-6-13 POWER RANGE DETECTOR P.S. W1-5
- A1-4-10 TOTAL FLOW SUMMER
- A1-4-7 LOOP B SQUARE ROOT EXTRACTOR
- A1-4-4 LOOP A SQUARE ROOT EXTRACTOR
- A1-4-13 POWER/IMBALANCE/FLOW BISTABLE
- A1-5-14 REACTOR BUILDING HIGH PRESS. CONTACT BUFFER
- A1-5-13 CONTACT MONITOR AUXILIARY POWER SUPPLY
- A1-3-7 POWER/PUMPS BISTABLE
- A1-3-4 CONTACT MONITOR



THIS SHEET IS FOR USE WITH THE FRAMATOME REACTOR TRIP MODULE ONLY. USE SHEET 1 WHEN USING THE BAILEY MANUFACTURED MODULE.

7749-M-536-36-5
SHEET 2 OF 2

SHEET 2 NOTES:

1. THIS IS A "FUNCTIONAL" SCHEMATIC FOR USE WITH THE FRAMATOME REACTOR TRIP MODULE, SHOWN WITH A REDUCED LEVEL OF DETAIL SIMILAR TO THE BAILEY MODULE SCHEMATIC ON SHEET 1. FOR EXAMPLE, RELAY SYMBOLS (BOXES) ON THIS DRAWING ACTUALLY REPRESENT THE RELAY COILS COMBINED WITH VARIOUS RESISTORS, DIODES, AND/OR METAL-OXIDE VARISTORS. ADDITIONAL INTERNAL DETAIL IS AVAILABLE FROM FRAMATOME DRAWINGS INCORPORATED INTO VENDOR MANUAL M-536-101.
2. THIS SHEET 2 IS IDENTICAL TO SHEET 1 WITH THE EXCEPTION OF THE REACTOR TRIP MODULE INTERNALS. DETAILS EXTERNAL TO THE REACTOR TRIP MODULE ITSELF SHALL BE MAINTAINED IDENTICAL FOR BOTH SHEET 1 AND 2.
3. FUSES INTERNAL TO FRAMATOME REACTOR TRIP MODULE ARE SOLDERED COMPONENTS.

DAVIS-BESSE NUCLEAR POWER STATION UNIT NO. 1	
SCHEMATIC DIAGRAM REACTOR TRIP, MODULE INTERLOCK, TEST TRIP SUBASSEMBLY "A"	
BABCOCK & WILCOX DRAWING NO.	REV.
D8047563D	T1