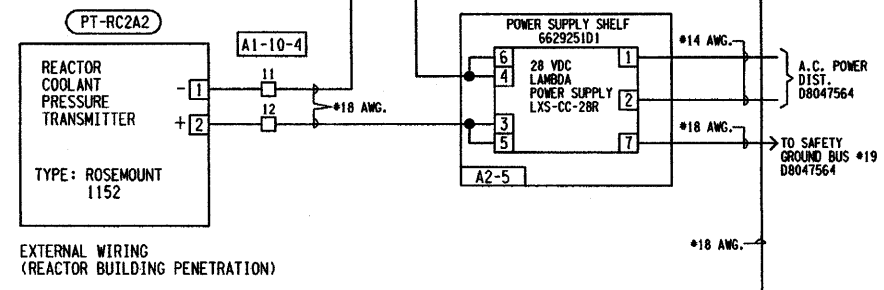
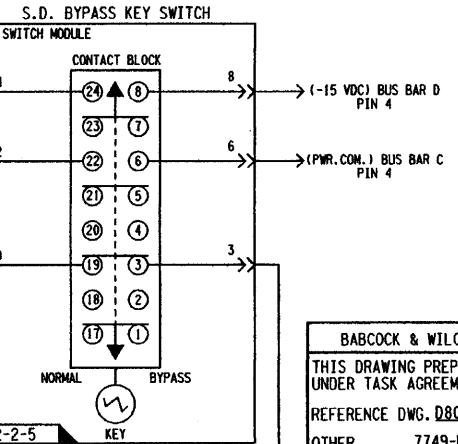
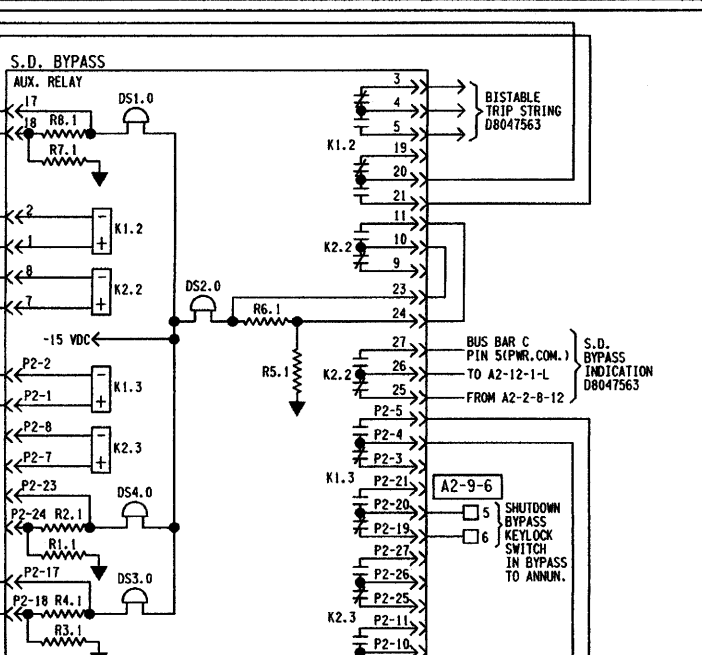
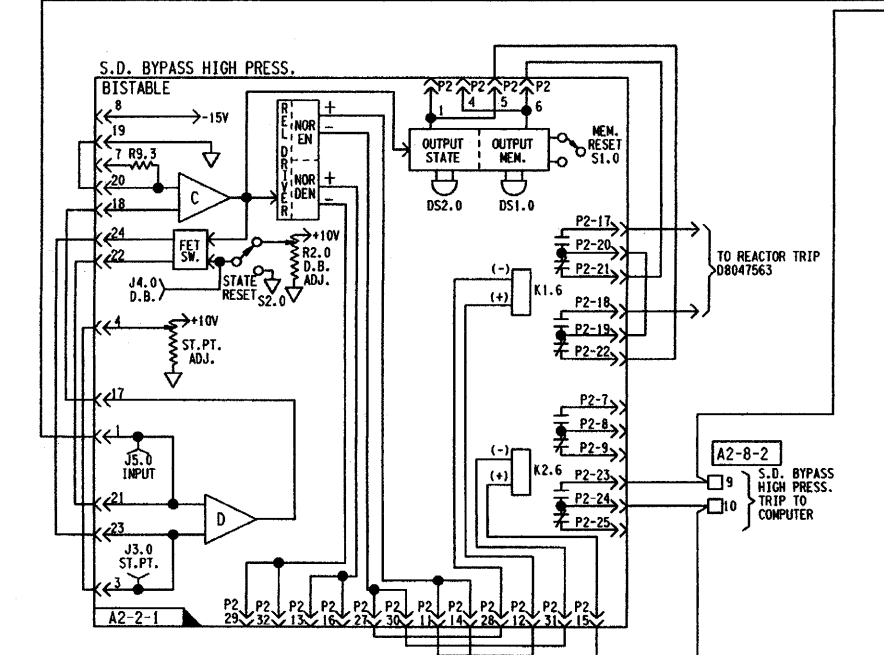
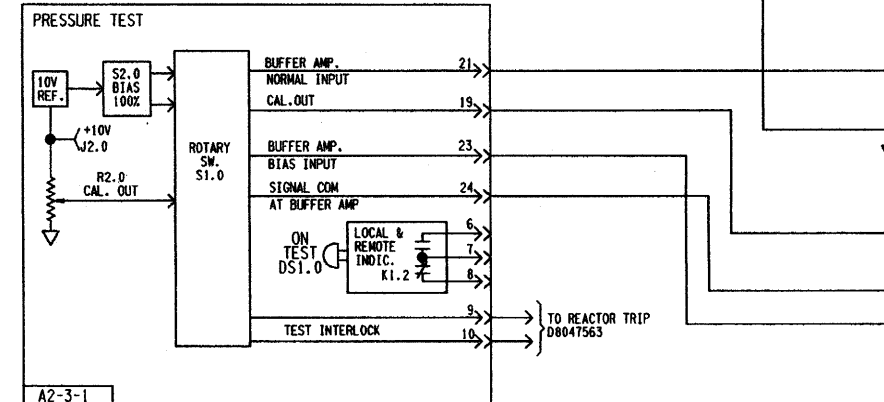
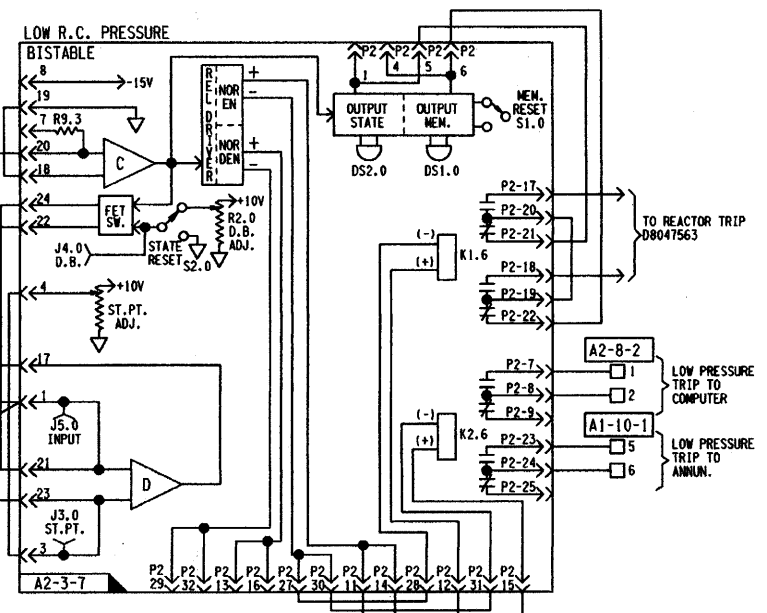
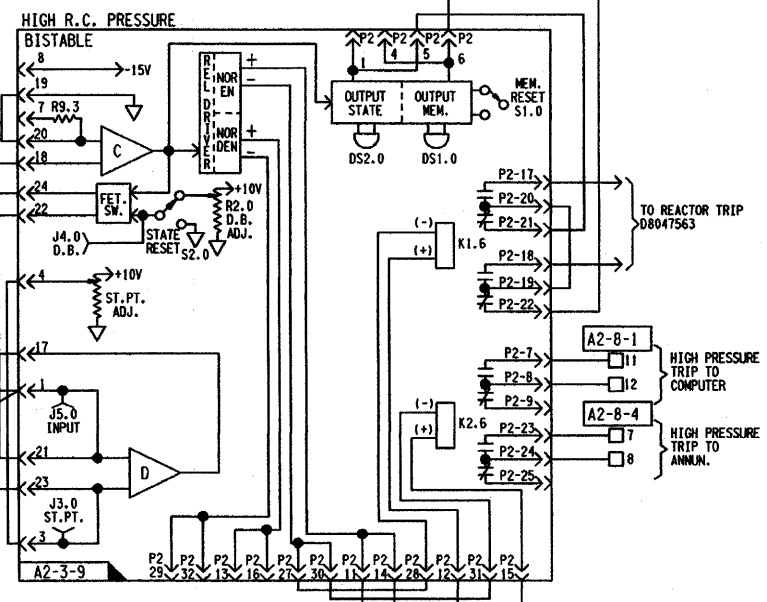
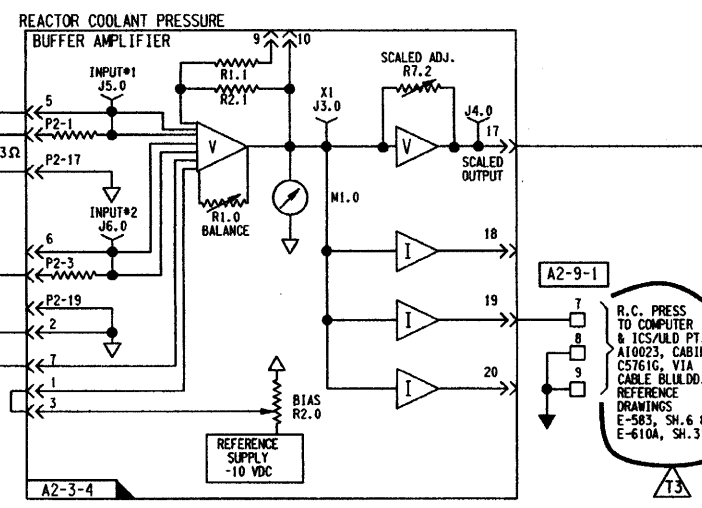
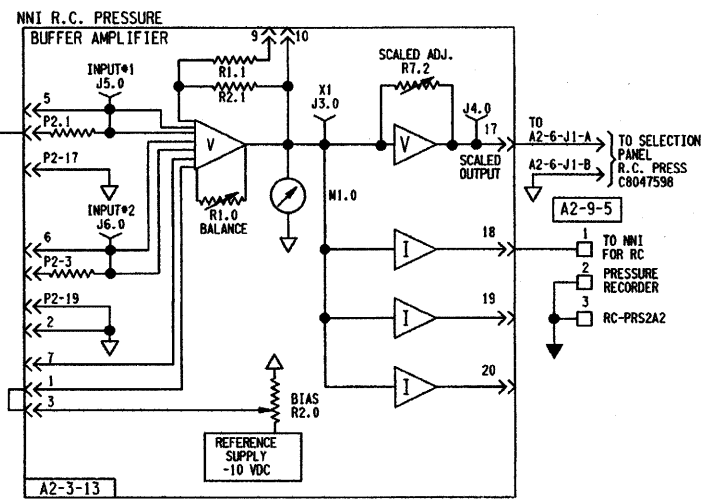


NOTE:
ROSEMOUNT TRANSMITTERS
SUPPLIED BY B & W, NPGD



EXTERNAL WIRING
(REACTOR BUILDING PENETRATION)



REFERENCE DWG.'S
D8047555 LEGEND & DRAWING REF.
D8047539 EXTERNAL
D8047540 EXTERNAL

7749-M-536-34-M-12

THIS DRAWING WAS REDRAWN ON CAD AND SUPERSEDES SUBMITTAL 11.

T3	9/14/11	INC. DUN 02-0540-02-69 REV.00 (REDRAWN)	SAC		
NO.	DATE	REVISIONS	BY	CHK' ENGR.	ENGR. SUPP.
SCALE NONE	DESIGNED	DRAWN SAC	DATE 6-28-11		
DAVIS-BESSE NUCLEAR POWER STATION UNIT NO. 1					
SCHEMATIC DIAGRAM REACTOR COOLANT PRESSURE CHANNEL SUBASSEMBLY "A"					
BARCOCK & WILCOX DWG. NO. 021060164 D 00 THIS DRAWING PREPARED BY BARCOCK & WILCOX UNDER TASK AGREEMENT 74 ON MSC 582-7151 REFERENCE DWG. D80475610 OTHER 7749-M-536-34-B-W-00-11 REFERENCES BBW-1102 & 1103 BBW-1110 & 1113 FC*328 B & W/BECHTEL TELECON 3-28-80 & 6-4-80			BAILEY METER COMPANY DRAWING NO. SHEET NO. REV. 26246 REV.01 N/A 73		