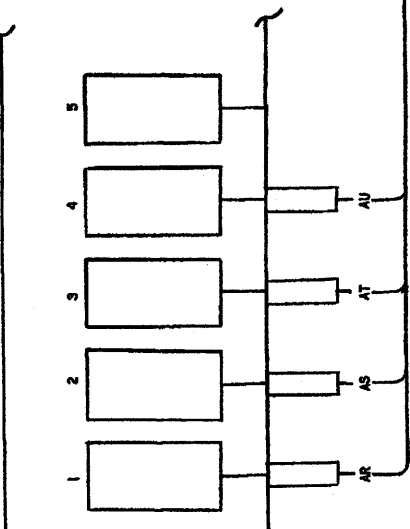
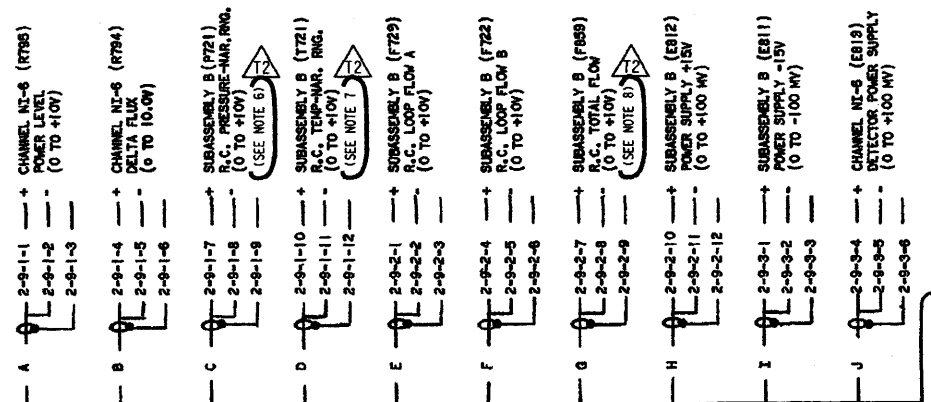


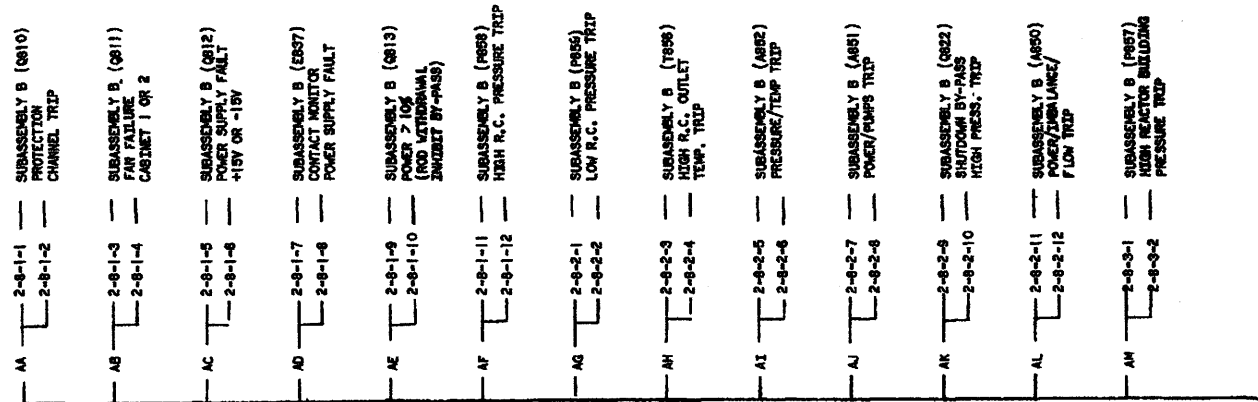
SUBASSEMBLY B CABINET 2 ROW 10



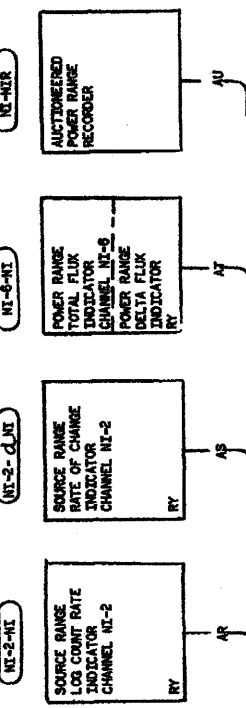
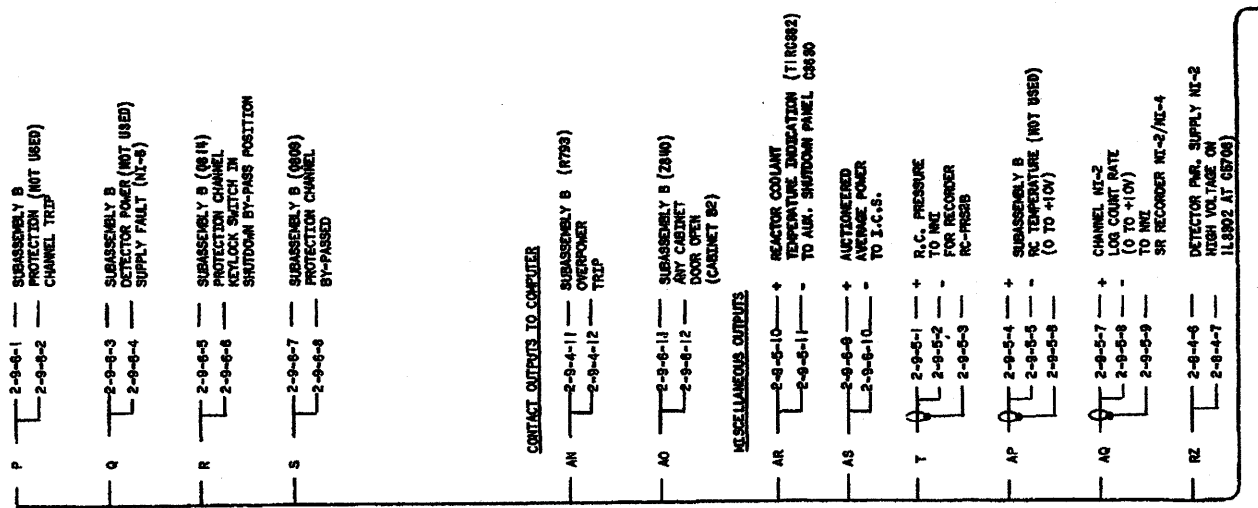
ANALOG OUTPUTS TO COMPUTER



CONTACT OUTPUTS TO COMPUTER



CONTACT OUTPUTS TO ANNUNCIATOR



7749-M-536-27-8-9

BARDECK & WILSON JOB NO. 02 1060151/D 00

THIS DRAWING WAS REDRAWN/SCANNED ON CAD AND SUPERSEDES SUBMITTAL 7.

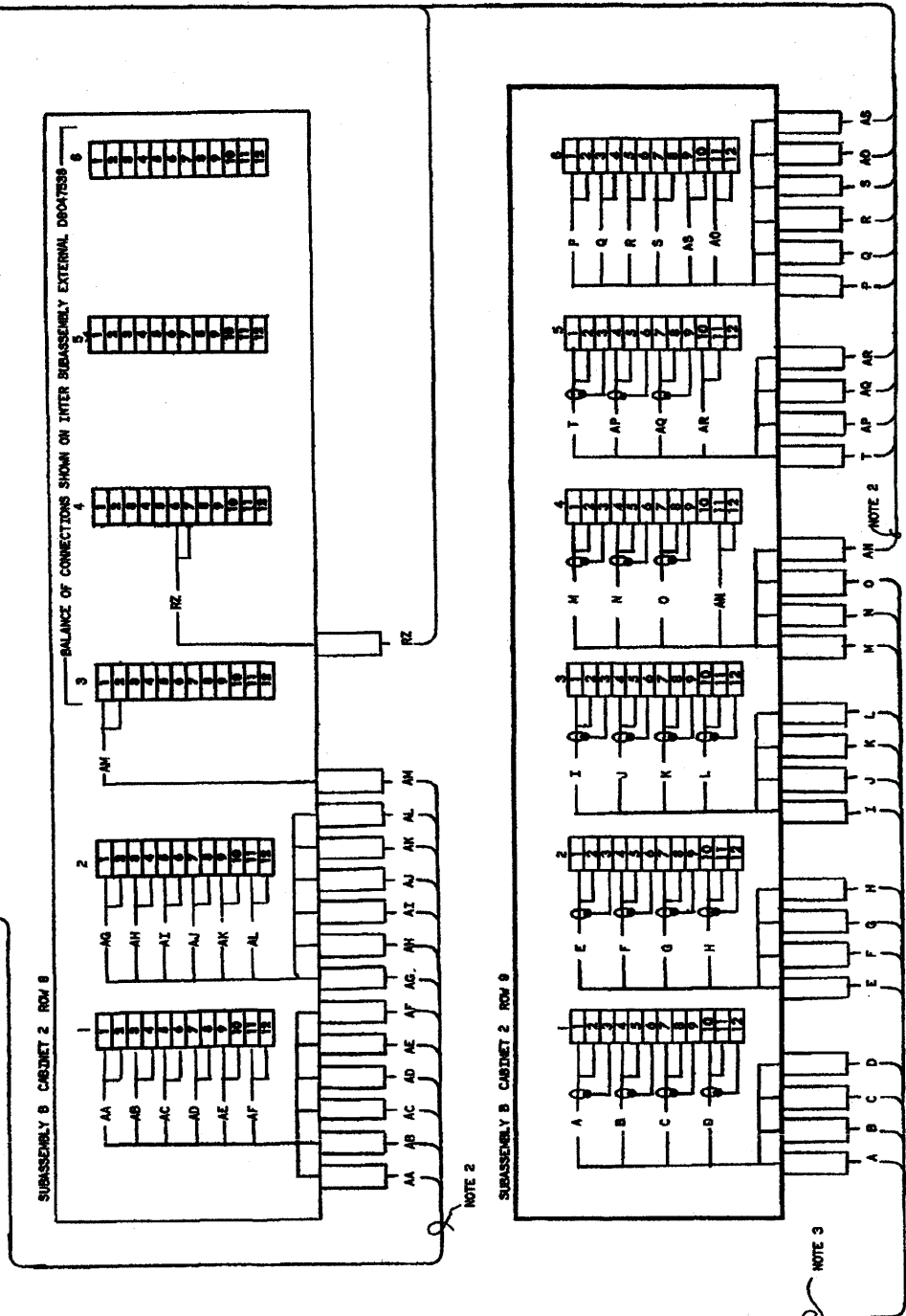
| NO. | DATE | REVISIONS | BY | CHK'D | ENGR. | ENGR. SUPV. | GEN. SUPV. |
|-----|----------|---|-----|-------|-------|-------------|------------|
| T2 | 7-14-79 | INC. DUN 02-0540-02-67 REV.00 | SAR | | | | |
| T1 | 06/13/78 | INC. DCN M-536-27-5 PER ECR 05-0192-02, REV.0 (REDRAWN) | | | | | |

INITIALS ON FILE

THE TOLEDO EDISON CO.
TOLEDO, OHIO
POWER ENGINEERING

EXTERNAL CONNECTION DIAGRAM
SUBASSEMBLY B CABINET 2
NUCLEAR INSTRUMENTATION AND PROTECTIONS SYSTEM
DAVIS-BESSE NUCLEAR POWER STATION-UNIT 1

DWG NO. 26233 Rev 00



- NOTES:
- 1) REFERENCE 800 NUCLEAR INSTRUMENTATION WIRING REQUIREMENTS DWG. A8012290.
 - 2) ALL DIGITAL OUTPUTS TO THE COMPUTER TO BE TWISTED PAIRS. IF SHIELDED, GROUND SHIELD IN THE COMPUTER CABINETS.
 - 3) ALL ANALOG OUTPUTS TO THE COMPUTER TO BE SHIELDED TWISTED PAIRS. GROUND SHIELD IN THIS CABINET.
 - 4) CABLES PRE-CUT AND WERED TO PLUG-IN CONNECTORS AT BOTH ENDS.
 - 5) ALL DIGITAL OUTPUTS TO COMPUTER AND ANNUNCIATOR ARE NORMALLY CLOSED FOR NON-ALARM STATE AND OPEN FOR ALARM STATE INDICATED.
 - 6) THIS OUTPUT ALSO GOES TO ICS/OLD PT. A10021, CABINET C5761G, VIA CABLE ALILOD. REFERENCE DWG 5, E-583, SH.6 & E-610A SH.31.
 - 7) THIS OUTPUT ALSO GOES TO ICS/OLD PT. A10031, CABINET C5761G, VIA CABLE ALILOD. REFERENCE DWG 5, E-583, SH.6 & E-610A SH.31.
 - 8) THIS OUTPUT ALSO GOES TO ICS/OLD PT. A1005, CABINET C5761G, VIA CABLE ALILOD. REFERENCE DWG 5, E-583, SH.6 & E-610A SH.31.