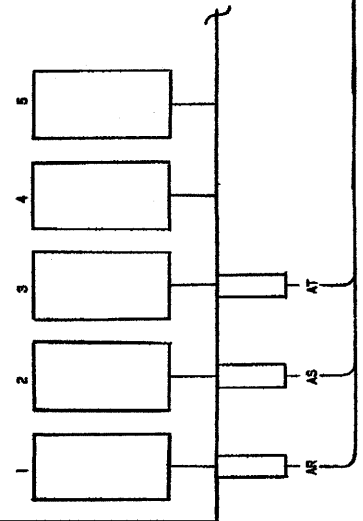
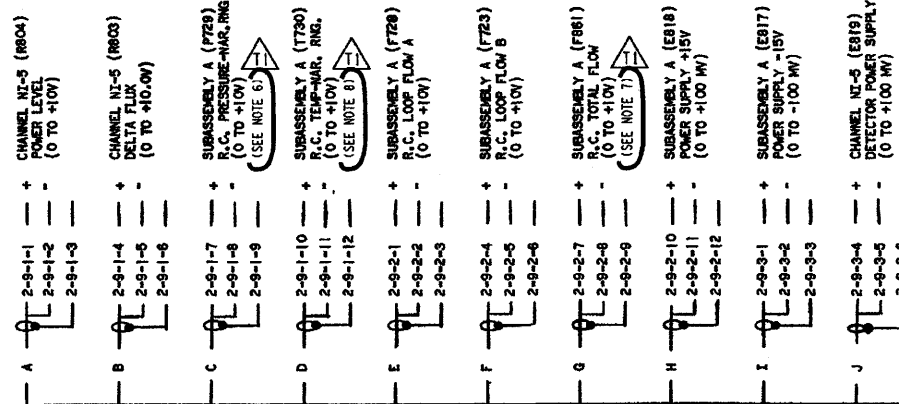


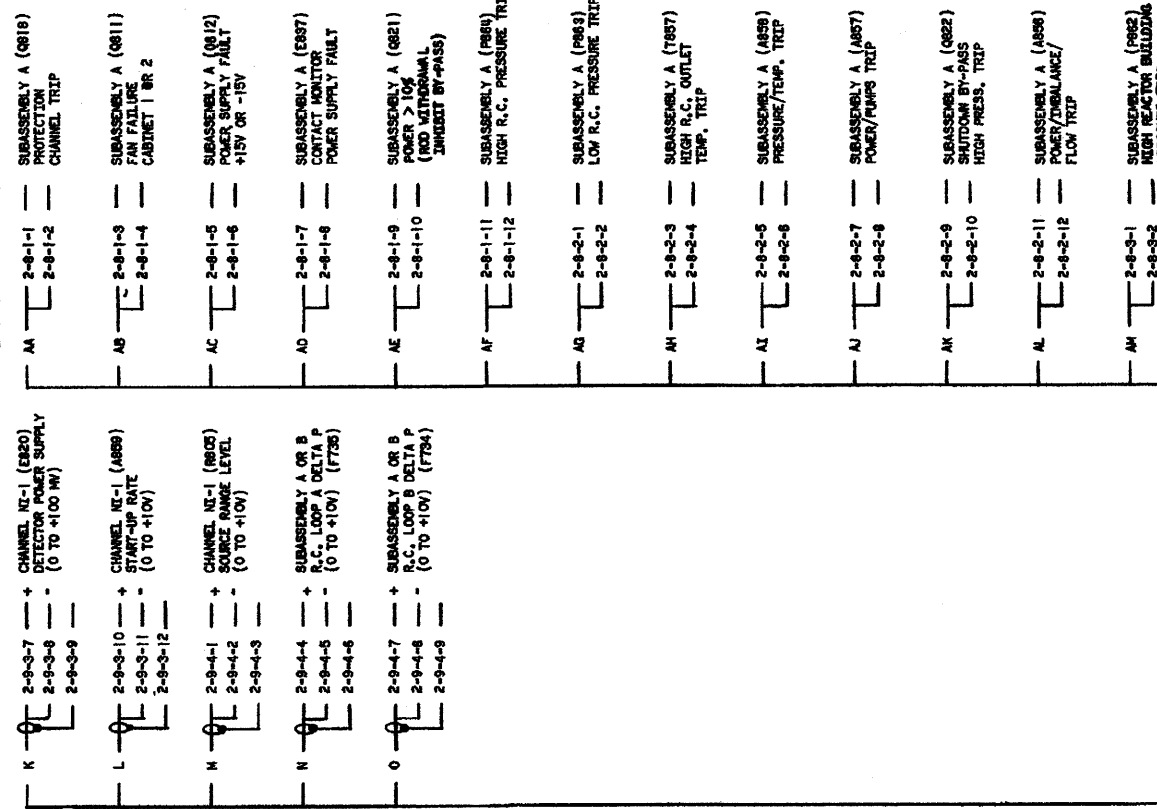
SUBASSEMBLY A, CABINET 2, ROW 10



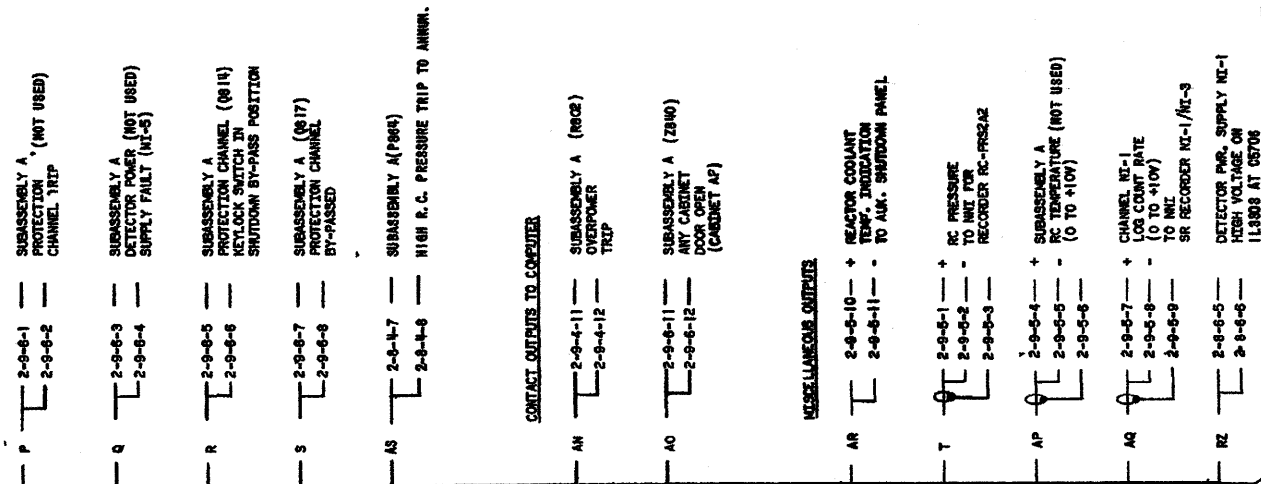
ANALOG OUTPUTS TO COMPUTER



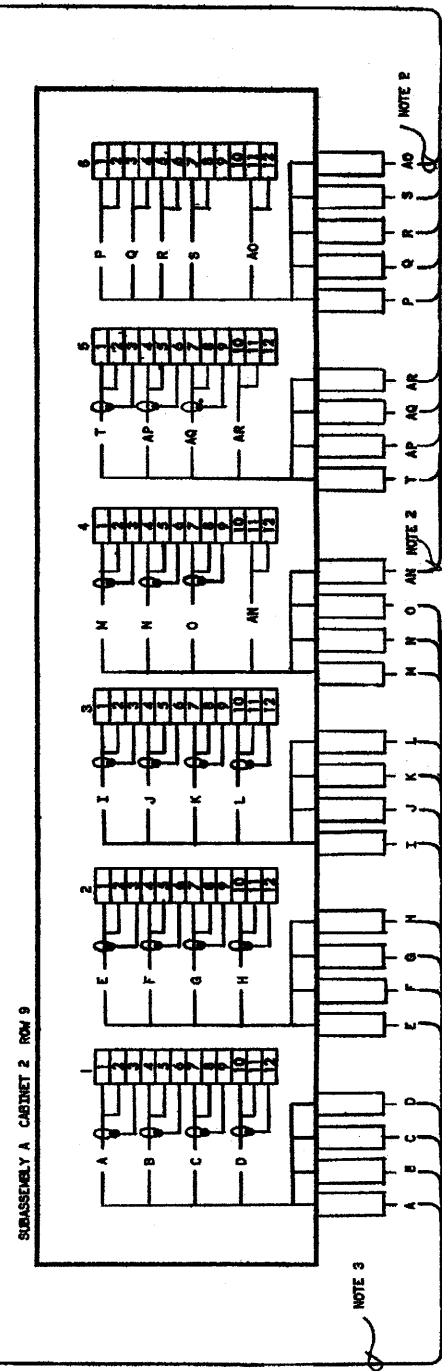
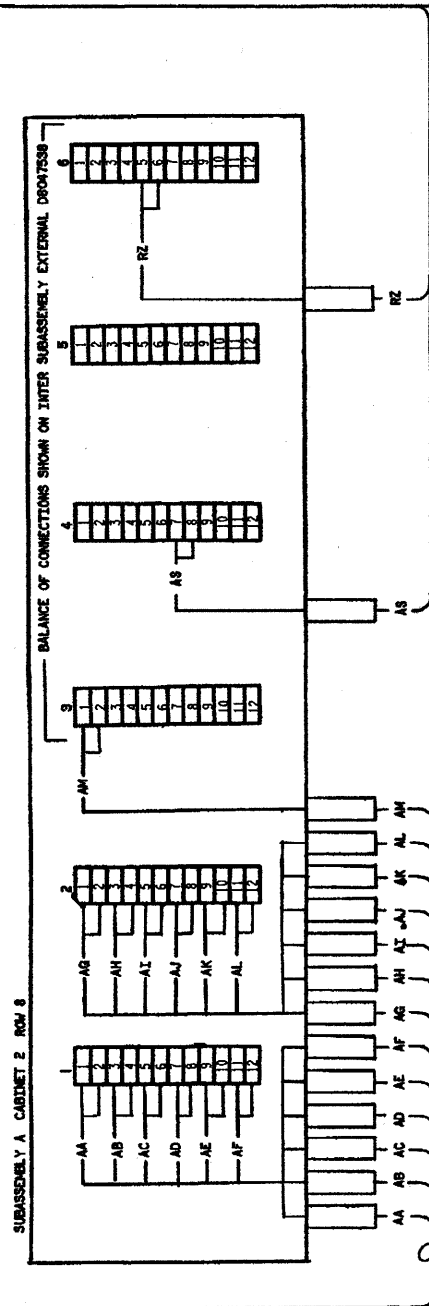
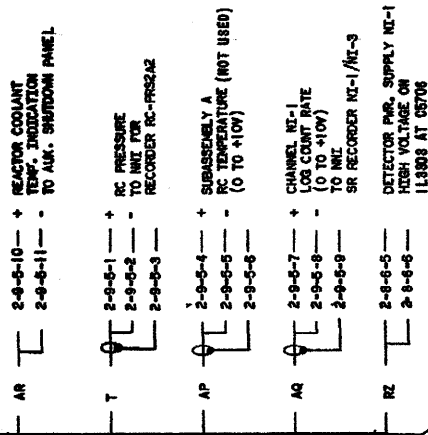
CONTACT OUTPUTS TO COMPUTER



CONTACT OUTPUTS TO ANNUNCIATOR



MISCELLANEOUS OUTPUTS



- NOTES:
- REFERENCE 880 NUCLEAR INSTRUMENTATION WIRING REQUIREMENTS, DWG. A801230
  - TERMINAL NO. TERMINAL BLOCK NO. WIRING CABINET NO.
  - ALL DIGITAL OUTPUTS TO THE COMPUTER TO BE SHIELDED. IF SHIELDED, ALL ANALOG OUTPUTS TO THE COMPUTER TO BE SHIELDED TWISTED PAIRS. IF SHIELDED, GROUND SHIELD IN THIS CABINET.
  - CABLES PRE-OUT AND WIED TO PLUG-IN CONNECTORS AT BOTH ENDS.

- 5) ALL DIGITAL OUTPUTS TO COMPUTER AND ANNUNCIATOR ARE NORMALLY CLOSED FOR NON-ALARM STATE AND OPEN FOR ALARM STATE INDICATED.
- 6) THIS OUTPUT ALSO GOES TO ICS/OLD PT. A10023, CABINET C57616, VIA CABLE BLOOD. REFERENCE DWG S. E-585, SH.6 & E-610A SH.31.
- 7) THIS OUTPUT ALSO GOES TO ICS/OLD PT. A10027, CABINET C57616, VIA CABLE BLOOD. REFERENCE DWG S. E-585, SH.6 & E-610A SH.31.
- 8) THIS OUTPUT ALSO GOES TO ICS/OLD PT. A10035, CABINET C57616, VIA CABLE BLOOD. REFERENCE DWG S. E-585, SH.6 & E-610A SH.31.

7749-M-536-13-X-9

BABCOCK & WILCOX DWG. NO. 021060149 D 00  
 THIS DRAWING PREPARED BY BABCOCK & WILCOX UNDER TASK AGREEMENT 74 ON MSC 582-7151  
 REFERENCE DWG. D8047540E  
 OTHER 7749-M-536-13-7  
 REFERENCES BBW-1102 & 1103 BBW-1110 & 1113  
 B & W/BECHTEL TELECON 3-28-80 & 6-4-80

|   |      |           |              |
|---|------|-----------|--------------|
| THIS DWG. WAS REDRAWN/SCANNED ON CAD AND SUPERSEDES SUBMITTAL 8.  |      |           |              |
| NO.   | DATE | REVISIONS | BY           |
| 1   |      |           |              |
| SCALE NONE  |      | DESIGNED  | DATE 6-20-11 |
| DAVIS-BESSE NUCLEAR POWER STATION UNIT NO. 1  |      |           |              |
| EXTERNAL CONNECTION DIAGRAM<br>SUBASSEMBLY A CABINET 2<br>NUCLEAR INSTRUMENTATION AND PROTECTION SYSTEM |      |           |              |
| BABCOCK & WILCOX<br>DRAWING NO.   |      | SHEET NO. | REV.         |
| 26231   |      | REV. 00   | N/A T1       |