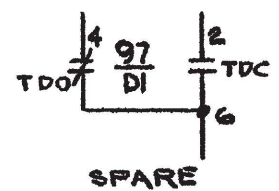


SCHEME NO GD203 CHANNEL 2
START UP SYSTEM NO 024

CONTACTS	FUNCTION	DWG REF
1-12	SPARE	
3-4	SPARE	
5-6	DIESEL GEN LOADING ITRLK	SH2A
7-8	SPARE	
9-10	SFAS SEQUENCER AUX RELAY CH. 2	SH.18
11-12	SFAS SEQUENCER AUX RELAY CH. 4	SH.18



- NOTES
1. FOR GENERAL NOTES & LOCATION DESIGNATIONS, SEE DWG. INDEX E-64B.
 2. WIRE JUMPERS TO BE ADDED OR REMOVED BY CONTRACTOR AS INDICATED ON THIS DWG.
 3. RELAY 97 DI WAS ORIGINALLY MODEL TO12PC. ANY FUTURE REPLACEMENT IS TO BE MODEL E-7012PC. REF. NRC INFO, NOTICE B7-66.

CONTACTS	FUNCTION	DWG REF
1-12	SPARE	
3-4	PART OF [3399] (SSL-6232)	E-64B SH.2
5-6	PART OF [3399] (ANNUN.)	E-64B SH.2
7-8	SPARE	
9-10	BRKR AD103 CLOSING CRKT	E-64B SH.2
11-12	BRKR AD108 CLOSING CRKT	E-64B SH.2

- EQUIPMENT NUMBERS
- C1 - C3616
 - A1 - AD101
 - A2 - AACD1
 - C2 - C3618
 - A10 - AD110
 - A13 - AD103
 - SA2 - C5755D
 - SA4 - C5756C

CONTACTS	FUNCTION	DWG REF
1-12	SPARE	
3-4	SPARE	
5-6	(AD101-SFAS TRIP ITRLK RLY)	THIS SH.
7-8	SPARE	
9-10	SFAS SEQUENCER LOGIC RESET CH.2	E762
11-12	27Z -1,2,3 CRKT	THIS SH.

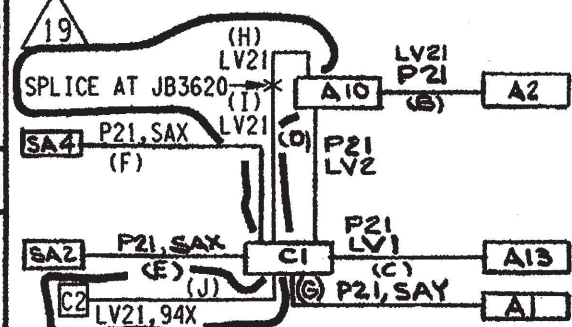
CONTACTS	FUNCTION	DWG REF
1-12	SPARE	
3-4	SPARE	
5-6	SPARE	
7-8	SPARE	
9-10	SFAS SEQUENCER LOGIC RESET CH.4	E762
11-12	SPARE	

CONTACTS	FUNCTION	DWG REF
1-12	DSL GEN 1-2 START CRKT	SH 2E
3-4	BUS DI AUTO XFER TO DSL GEN 1-2	SH 4
5-6	SPARE	
7-8	SPARE	
9-10	SPARE	
11-12	SPARE	

CONTACTS	FUNCTION	DWG. REF.
1-2	BRKR AD101 TRIP INTERLOCK	SH. 2A
3-4	SPARE	
5-6	SPARE	
7-8	SPARE	
9-10	SPARE	
11-12	SPARE	

CONTACTS	FUNCTION	DWG. REF.
1-2	SFAS SEQUENCER CH.2	SH. 17
3-4	SPARE	
5-6	SPARE	
7-8	SPARE	
9-10	BREAKER AD105 TRIP INTERLOCK	E-49B SH. 1B
11-12	27Z-1,2,3 HOLD CRKT ITRLK	THIS SH.

CONTACTS	FUNCTION	DWG. REF.
1-2	SFAS SEQUENCER CH.4	SH. 17
3-4	SPARE	
5-6	SPARE	
7-8	BRKR AD101 RPM TRIP ITRLK	SH. 2A
9-10	SPARE	
11-12	SPARE	



BLOCK DIAGRAM
SCHEME NO GD203

THIS DWG. WAS REDRAWN/SCANNED ON CAD AND SUPERSEDES REVISION 17.

DAVIS-BESSE NUCLEAR POWER STATION
THE TOLEDO EDISON COMPANY
THE CLEVELAND ELECTRIC ILLUMINATING COMPANY

ELEMENTARY WIRING DIAGRAMS
EMER DSL GENS
DSL GEN 1-2 MISC AUX RELAYS

BECHTEL COMPANY	JOB NO. 7749	DRAWING NO. E-64B SH 2E	REV. 19
-----------------	------------------------	-----------------------------------	-------------------

DB 05-07-10

DFN: F/SCHEME/E64BSH2E.DGN/TIF

19 INC. DUN'S 01-0261-004-012, 02-0738-002-003 & -002-019 ALL REV. 00
 17 INC. DCN E-64B-450 PER ECR 05-0003-00 (CROS-08391)
 0 ISSUED FOR CONSTRUCTION

G-431-0