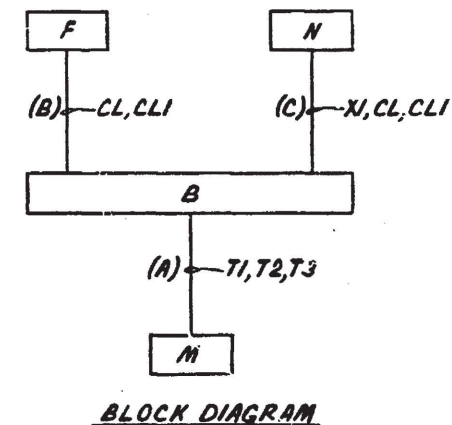
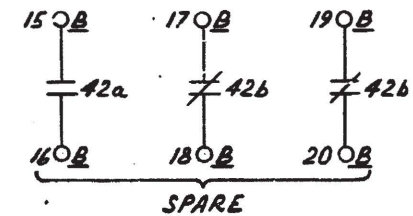
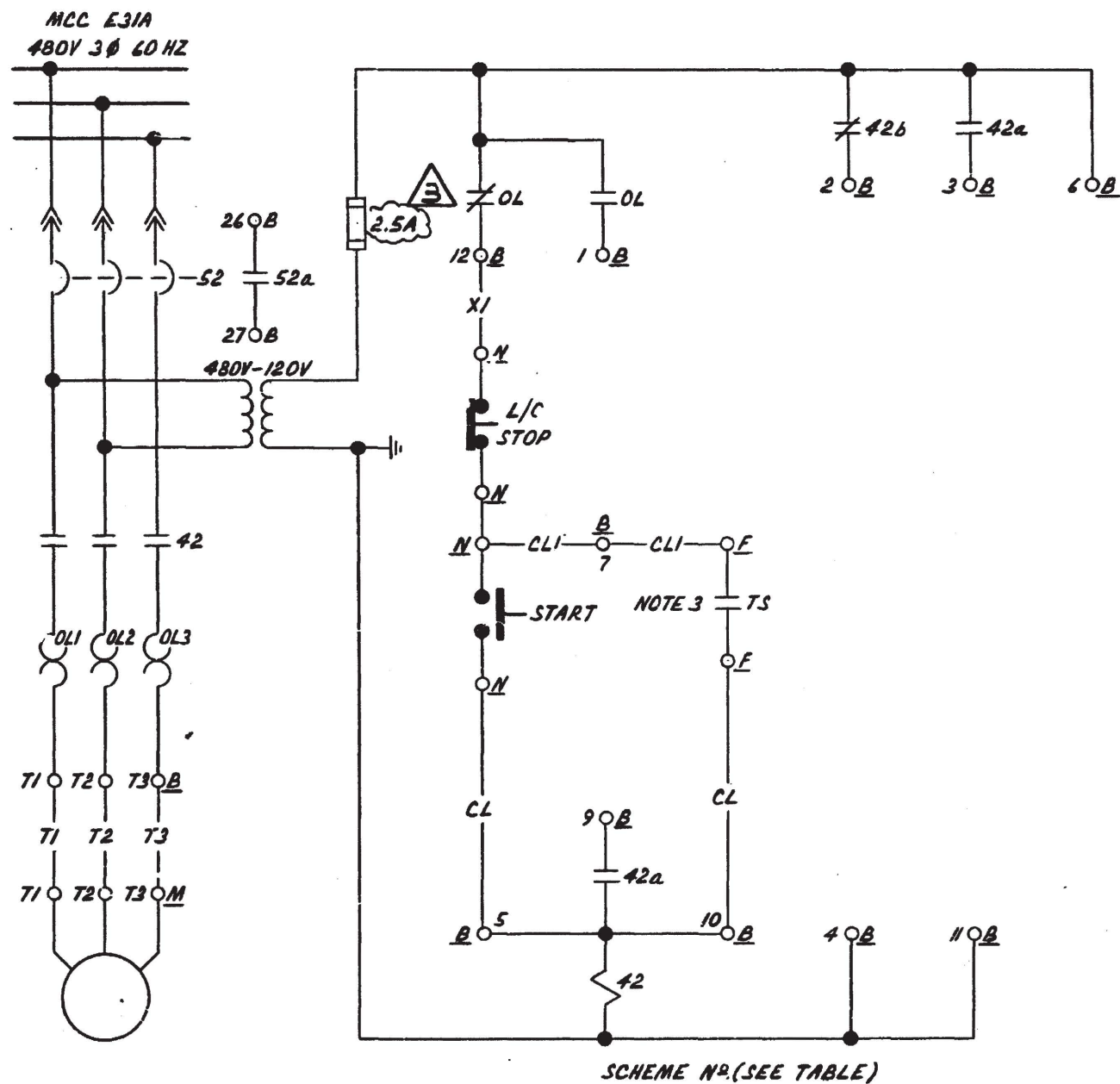


G-231-D	REV.	0	ISSUED FOR CONSTRUCTION (INC. SCR. 91E)
	REV.	3	INC. DCH E-60B-29, FOR 77-217, AS BUILT
	REV.	2	REVISED AS NOTED
	DATE	4-30-76	R.W.S.
DATE	4-14-76	R.W.S.	
DATE	12-7-76	R.W.S.	
DR			
CHK			
SUPV			
CHIEF			
PROJ			
OWNER			



- NOTES:**
- FOR GENERAL NOTES SEE DWG. INDEX E-60B.
 - FOR LOCAL PUSHBUTTON DETAIL, SEE DWG. E.30B, SH.7, TYPE 2.
 - TS CLOSES ON LOW ROOM TEMPERATURE.

SCHEME N ^o .	MCC	S.U. N ^o .	CHANNEL	EQUIPMENT				DESCRIPTION
				B	F	N	M	
BE3135	E31A	33	A	BE3135	FTS4887	NE1240	ME1240	TURBINE BLDG. UNIT HTR. FAN

DAVIS-BESSE NUCLEAR POWER STATION

THE TOLEDO EDISON COMPANY
THE CLEVELAND ELECTRIC ILLUMINATING COMPANY

ELEMENTARY WIRING DIAGRAM
STA HTG VENTL & CLNG SYS
TURBINE BLDG UNIT HTR FAN

BECHTEL COMPANY	JOB NO.	DRAWING NO.	REV.
	7749	E 60B SH.33	3