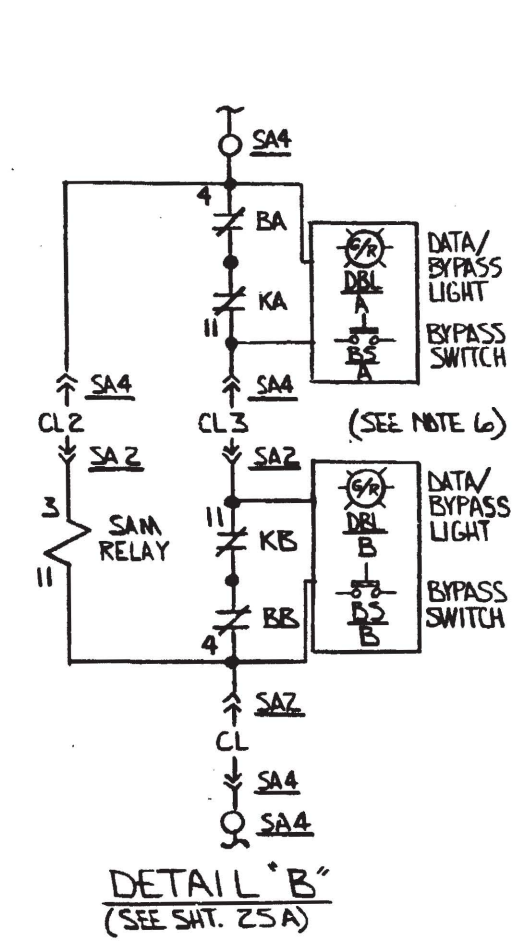
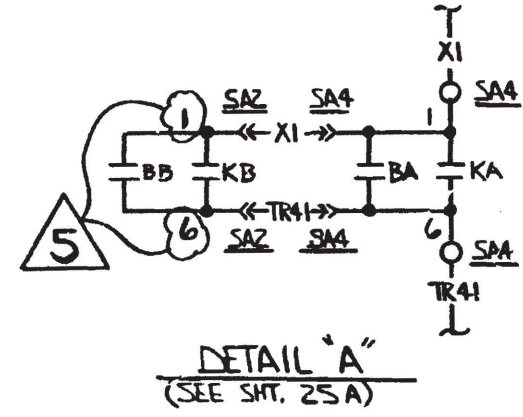
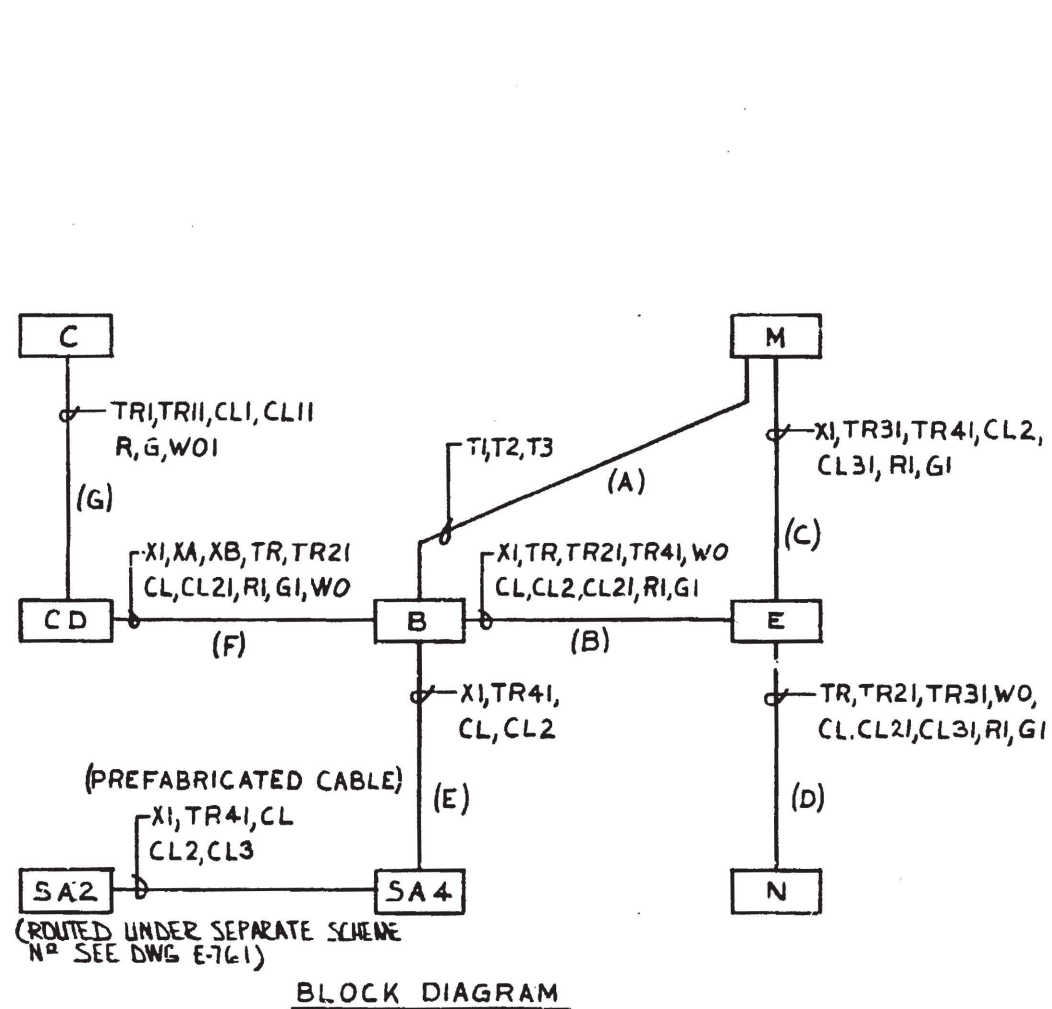


5	INC. DCN E-56B-247 PER MOD 90-0006 SUPO	DATE	DR	CHK	SHPV	CHIEF	PROJ	OWNER
	ISSUED FOR CONSTRUCTION	4/1/92	DR	DR	DR	DR	DR	DR
	DESCRIPTION	6-24-73	DR	DR	DR	DR	DR	DR
	REV.							

**LEGEND**

SCHEME NO.	MCC	S.U. NO.	CHANNEL NO.	WIRE PREFIX AT MAIN CTRL. BD.	C.S.	EQUIPMENT						SA OUTPUT RELAY		DESCRIPTION		
						C	CD	B	E	M	N	SA2	SA4		KA	KB
BF1138	F11B	20	2	NSB	HIS2012B	C5717	CDF11B	BF1138	EY2012B	MV2012B	NV2012B	C5753D	C5756C	K271C	K271C	CTMT NORMAL SUMP ISO. VALVE, 2012 B



**DAVIS-BESSE NUCLEAR POWER STATION**  
 THE TOLEDO EDISON COMPANY  
 THE CLEVELAND ELECTRIC ILLUMINATING COMPANY

**ELEMENTARY WIRING DIAGRAMS**  
**RADIOACTIVE WASTE SYSTEM**  
**CTMT NORMAL SUMP ISO VLV(OUTSIDE CTMT)**

BECHTEL COMPANY	JOB NO.	DRAWING NO.	REV.
	<b>7749</b>	E-56B SH.25B	<b>5</b>