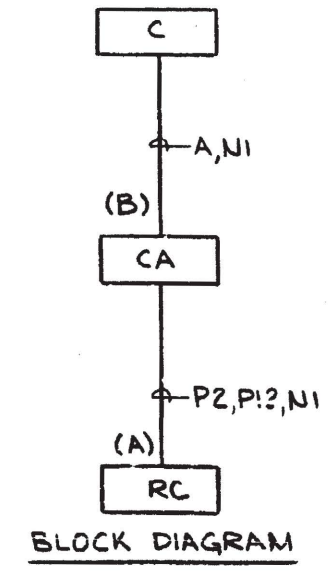
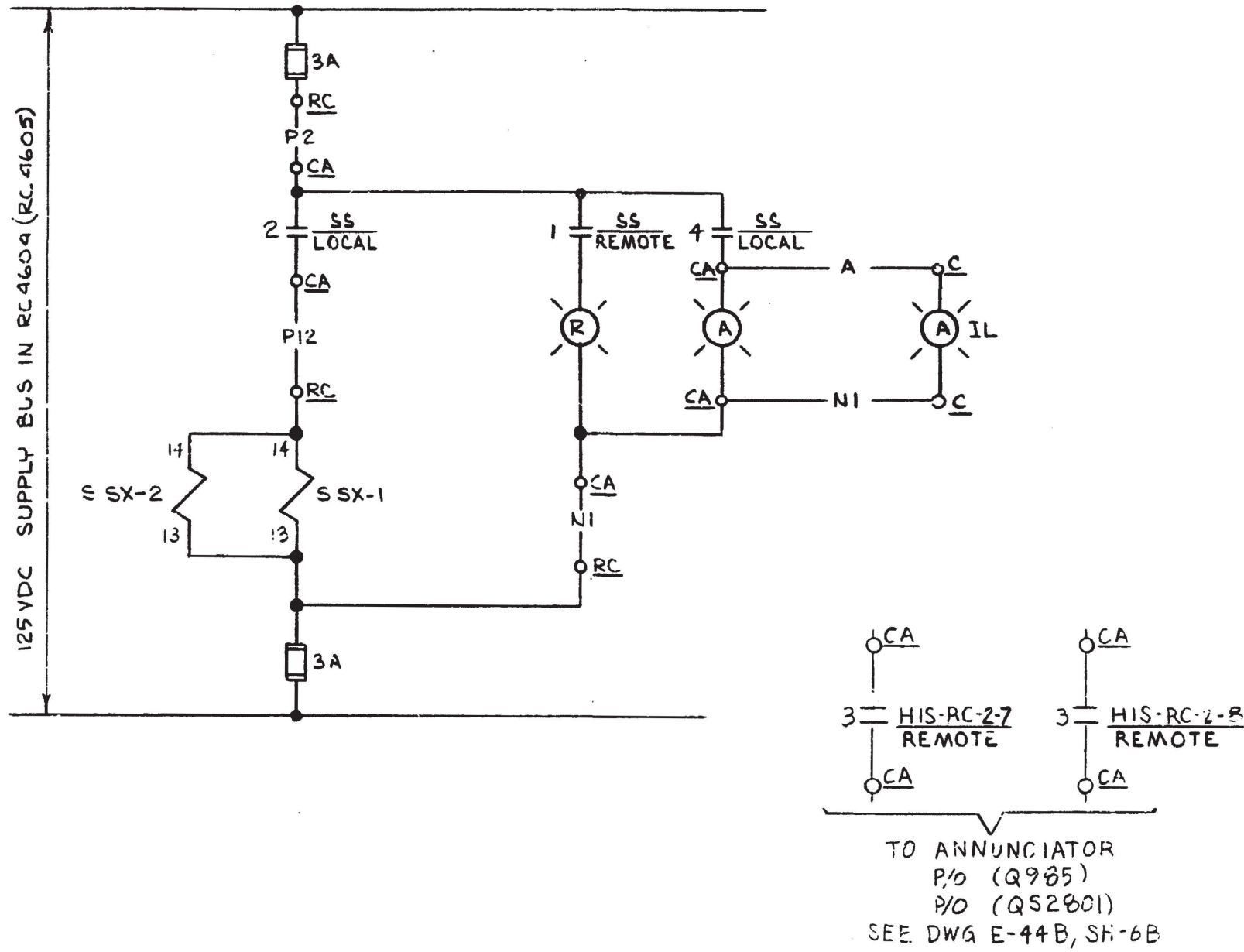


4	REVISED AS NOTED	2.4.77	R.W.S	LEW	SHI/INI	SNS	—	—	—
3	DELETED NOTE 3 & REVISED AS NOTED	4-11-76	CW	LEW	SMS	SNS	—	—	—
0	ISSUED FOR CONSTRUCTION	6-21-74	CW	ESP	SNS	SNS	—	—	—
REV.	DESCRIPTION	DATE	DR	CHK	SUPV	CHIEF	PROJ	OWNER	OWNER



- NOTES**
- 1) FOR GENERAL NOTES SEE DWG E-52B INDEX SH.
 - 2) FOR DETAILS OF SELECTOR SWITCH (SS) SEE DWG E-30B SH11 FIG 4A

SCHEME NO	SU NO	CHANNEL	WIRE PREFIX	SS	IL	EQUIPMENT		
						RC	CA	C
SD05	64	1	HCA	HISRC2-7	ILRC2-5	RC 4604	C3630	C5705
SD06	64	2	HCB	HISRC2-8	ILRC2-9	RC 4605	C3630	C5705

4

DAVIS-BESSE NUCLEAR POWER STATION
 THE CLEDO EDISON COMPANY
 THE CLEVELAND ELECTRIC ILLUMINATING COMPANY

ELEMENTARY WIRING DIAGRAM
 REACTOR COOLING SYSTEM
 PRZR HEATERS

BECHTEL COMPANY	JOB NO.	DRAWING NO.	REV.
	7749	E-52B SH-43D	4