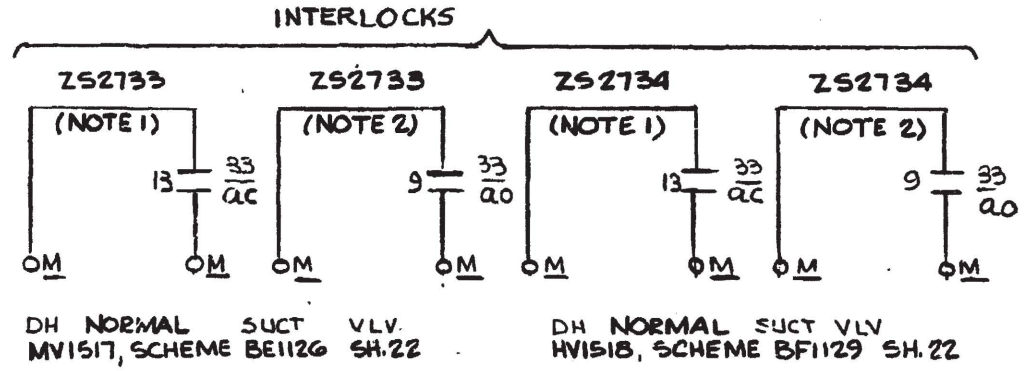
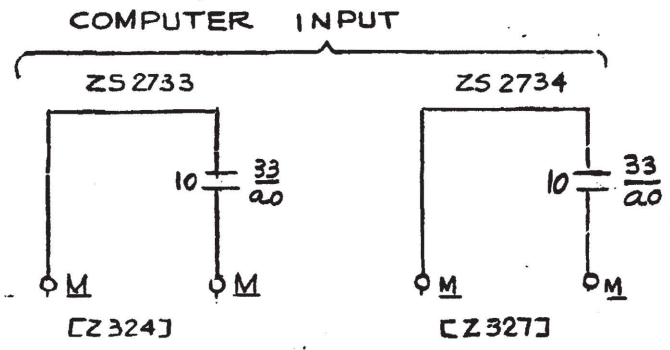


9-17-76	EM	LEW	SYN	PROJ	OWNER
9/18/76	DR	EM	SYN	CHIEF	
10/17/76	CHK	EM	SYN	SUPV	
	DATE	EM	SYN	CHK	
	DATE	EM	SYN	CHK	
	DATE	EM	SYN	CHK	
	DATE	EM	SYN	CHK	
	DATE	EM	SYN	CHK	
	DATE	EM	SYN	CHK	
	DATE	EM	SYN	CHK	
	DATE	EM	SYN	CHK	

SCHEME NO	MCC	S.U. NO	CHANNEL	WIPE PREFIX	CONTSW CS	EQUIPMENT NO'S										SA OUTPUT RELAY			DESCRIPTION	
						C	CD	B	E	M	N	MA	EA	SA1	SA2	SA3	SA4	KA		KB
BE1121	E11A	49	1	SDA	HIS2733	C5717	CDE11A	BE1121	EV27330	MV27330	NV27330	MV15170	EV15170	C5762C	-	C5763D	-	K31 D	K31 D	DH PMP 1 SUCT VLV FROM BWST
BF1134	F11C	49	2	SDB	HIS2734	C5717	CF11C	BF1134	EY27340	MV27340	NV27340	MV15180	EV15180	-	C5755C	-	C5756D	K31 D	K31 D	DH PMP 2 SUCT VLV FROM BWST



- NOTES:
- INTERLOCK PERMITS OPENING OF HV1517(HV1518) IF HV2733 (HV2734) IS FULLY CLOSED.
 - INTERLOCK PERMITS CLOSING OF HV1517 (HV1518) IF HV2733 (HV2734) IS FULLY OPEN.

6

DAVIS-BESSE NUCLEAR POWER STATION
 THE TOLEDO EDISON COMPANY
 THE CLEVELAND ELECTRIC ILLUMINATING COMPANY

ELEMENTARY WIRING DIAGRAMS
 REACTOR COOLING SYSTEM
 DH. PMP 1 & 2 SUCT. VLV. FROM BWST

BECHTEL COMPANY	JOB NO.	DRAWING NO.	REV.
	7749	E52B SH 23B	6