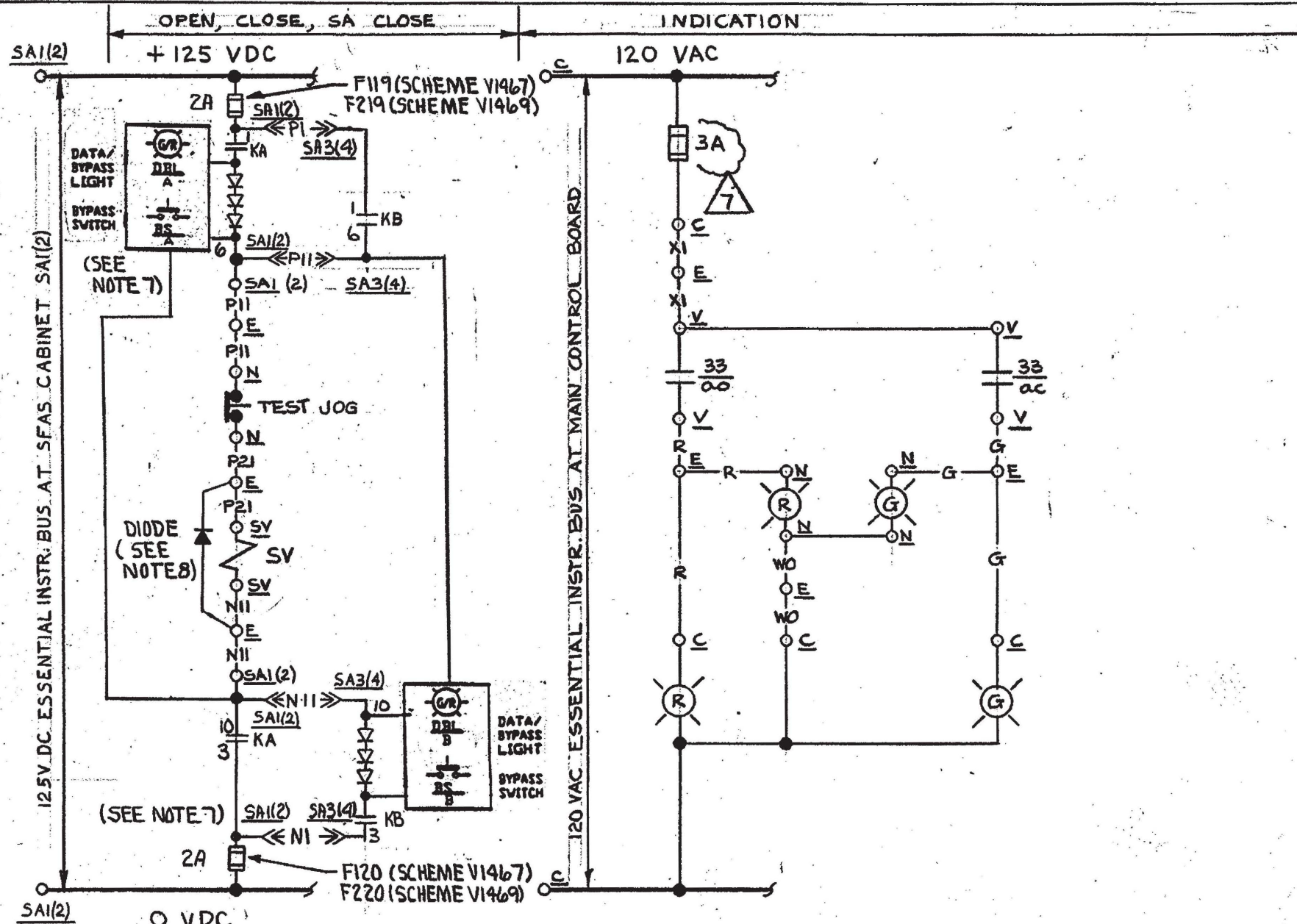
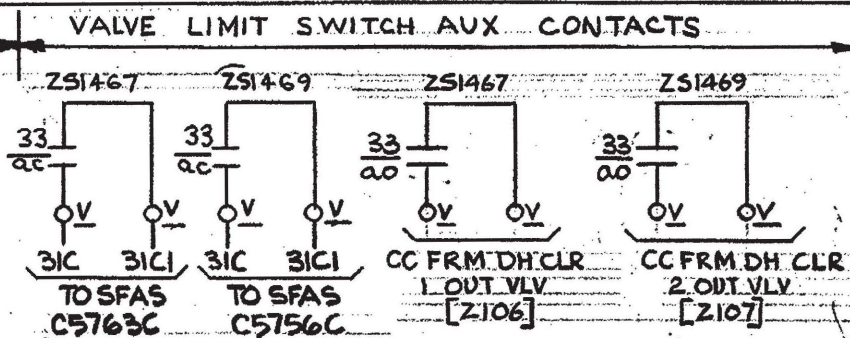


INC. DCN'S E-50B-1844 PER MOD 90-0006 SUPD E-E-50B-2112 PER MOD 87-1014-01	DATE	DR	CHK	SUPV	CHIEF	PROJ	OWNER
INC. DCN'S E-50B-277+278 PER ECR 04-0053-00 REV. 0	DATE	DR	CHK	SUPV	CHIEF	PROJ	OWNER
ISSUED FOR CONSTRUCTION	DATE	DR	CHK	SUPV	CHIEF	PROJ	OWNER
REV. DESCRIPTION	DATE	DR	CHK	SUPV	CHIEF	PROJ	OWNER
6							
7							
0							

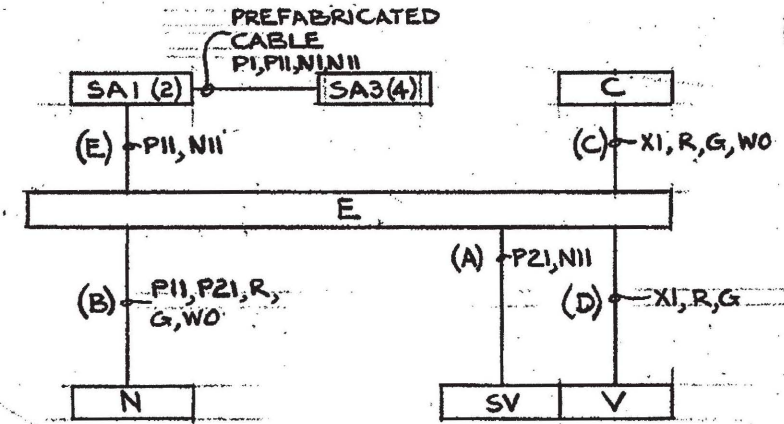


SCHEME NO (SEE TABLE)

* - CONTROLLED VALVE HAS SAME NUMBER AS SOLENOID VALVE EXCEPT PREFIX "SV" IS REPLACED WITH "V"



(SEE DWG E-760)



BLOCK DIAGRAM

NOTES

1. FOR GENERAL NOTES SEE DRAWING INDEX E-50B.
2. FOR DETAILS OF LOCAL PUSHBUTTONS AND IND. LIGHTS SEE DRAWING E-30B, SH-7, TYPE 4 & 6.
3. FOR DETAILS OF CONTROL SWITCH "CS" SEE DRAWING E-30B, SH-7, FIG. 7.
4. FOR VALVE LIMIT SW. DESIGNATIONS SEE DWG E-30B, SH-8.
5. VALVES V1467 AND V1469 OPEN ON SV1467 & SV1469 DE-ENERGIZING, RESPECTIVELY.
6. FOR REMOTE OPERATION FROM MAIN CONTROL PANEL SEE DWG E16 SH-1 FIG. 1
7. FOR VENDOR DWG. REFER TO E-17B; SEE VENDOR DWG. FOR SFAS INTERNAL WIRING.
8. INSTALL "DIODE" IN ACCORDANCE WITH DWG. E-1037L, SH.17

SCHEME NO.	SU NO.	CH NO.	WIRE PREFIX	CS	EQUIPMENT								SA OUTPUT RELAY		DESCRIPTION
					C	E	SV *	N	SA1	SA2	SA3	SA4	KA	KB	
V1467	016	1	DCA	H1S1467	C5716	EVI467	SV1467	NV1467	C5762C		C5763D		K31C	K31C	CC.FRM.DH.CLR.1.OUT.VLV.
V1469	016	2	DCB	H1S1469	C5716	EVI469	SV1469	NV1469		C5755C		C5756D	K31C	K31C	CC.FRM.DH.CLR.2.OUT.VLV.

DAVIS-BESSE NUCLEAR POWER STATION
 THE TOLEDO EDISON COMPANY
 THE CLEVELAND ELECTRIC ILLUMINATING COMPANY

ELEMENTARY WIRING DIAGRAMS
 COOLING WATER SYSTEM
 CC FRM DH CLR'S OUT VLV'S

BECHTEL COMPANY	JOB NO.	DRAWING NO.	REV.
	7749	E-50B SH-11	7