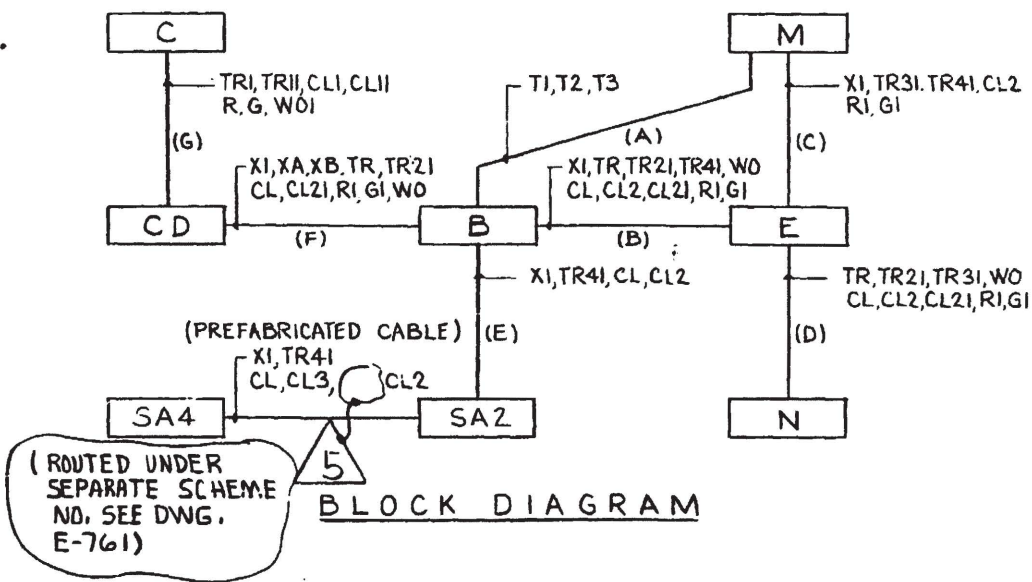


DATE	DR	CHK	SUPV	CHIEF	PROJ	OWNER
11/27/77	APC	MR/MS	MR/MS	MR/MS	MR/MS	MR/MS
4/14/78	38W	MR/MS	MR/MS	MR/MS	MR/MS	MR/MS
4/21/83	GFB	MR/MS	MR/MS	MR/MS	MR/MS	MR/MS
4 AS BUILT FOR ECR 85-012, SUPP 1, INC. DCN. E-50B-49 5 INC. DCN E-50B-203 PER MOD 90-0006 SUP.D 0 ISSUED FOR CONSTRUCTION						
REV.	DESCRIPTION					
4						
5						
0						

LEGEND

SCHEME NO.	MCC	S.U. NO.	CHANNEL NO.	WIRE PREFIX AT MAIN CTRL. BD.	C.S.	EQUIPMENT							SA OUTPUT RELAY		DESCRIPTION	
						C	CD	B	E	M	N	SAZ	SA4	KA		KB
BF1158	F11B	16	2	COB	HIS1407B	C5717	CDF11B	BF1158	EV1407B	MY1407B	NY1407B	C5755C	C5756D	K42B	K42B	CC OUT. ISO. VLV. FRM. CTMT., 1407B



DAVIS-BESSE NUCLEAR POWER STATION
 THE TOLEDO EDISON COMPANY
 THE CLEVELAND ELECTRIC ILLUMINATING COMPANY

ELEMENTARY WIRING DIAGRAMS
 COOLING WATER SYSTEM
 CC OUT ISO VLV (OUTSIDE CTMT)

BECHTEL COMPANY	JOB NO.	DRAWING NO.	REV.
	7749	E-50B SH.10B	5

I CERTIFY THAT THIS IMAGE CONTAINED ON THIS FRAME WAS MADE IN THE NORMAL AND REGULAR COURSE OF BUSINESS, ON THE DATE STATED BELOW AND THAT IT IS AN ACCURATE REPRODUCTION OF THE RECORD(S) SUBMITTED TO NUCLEAR RECORDS MANAGEMENT.