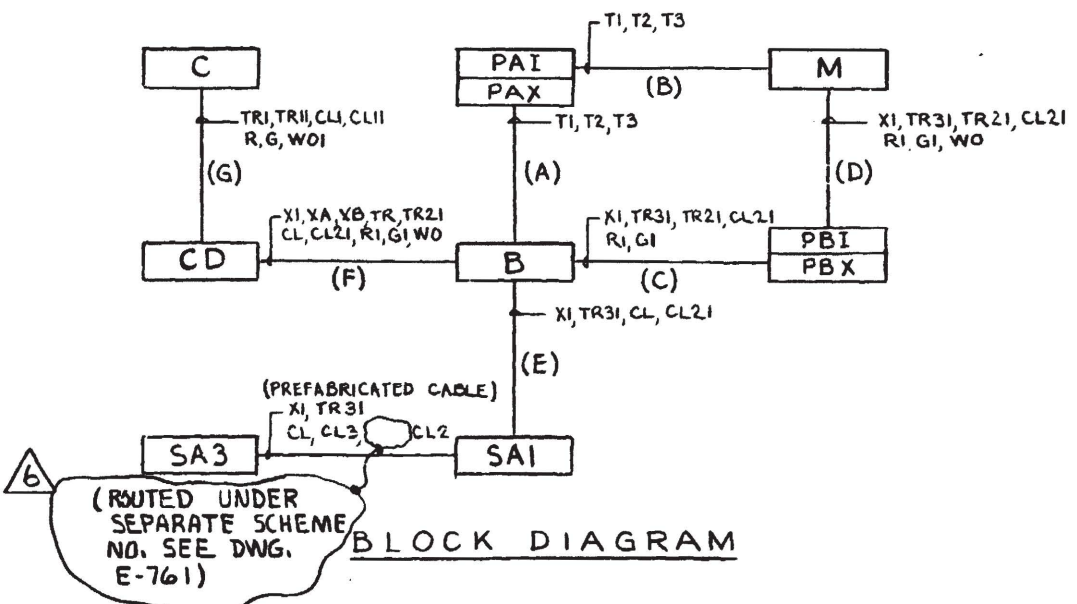


6	INC. DCN. E-50B-190 PER MOD 90-0006 SUP.D	DATE	DR	CHK	SUPV	CHIEF	PROJ	OWNER	OWNER
5	AS-BUILT FOR FCN 85-0112 SUPP 1, INC DCN. E-50B-51	11/22/84	GEB	MTC	SUS	MUS	MS	MS	MS
0	ISSUED FOR CONSTRUCTION	11/22/84	APC	MMV	MMV	MMV	MMV	MMV	MMV

LEGEND

SCHEME NO.	MCC	S. U. NO.	CHANNEL NO.	WIRE PREFIX AT MAIN CTRL. BD.	C.S.	EQUIPMENT							SA OUTPUT RELAY		DESCRIPTION	
						C	CD	B	PAX(I)	PBX(I)	M	SAI	SA3	KA		KB
BE1173	E11B	16	1	COA	HIS1407A	C5717	CDE11B-2	BE1173	PIP2MX(I)	PIC2LX(I)	MV14-07A	C5762C	C5763D	K42B	K42B	CC OUT. ISO. VLV. FRM. CTMT., 1407A



DAVIS-BESSE NUCLEAR POWER STATION
 THE TOLEDO EDISON COMPANY
 THE CLEVELAND ELECTRIC ILLUMINATING COMPANY

ELEMENTARY WIRING DIAGRAMS
 COOLING WATER SYSTEM
 CC OUT ISO VLV (INSIDE CTMT)

BECHTEL COMPANY	JOB NO.	DRAWING NO.	REV.
	7749	E-50B SH.9B	6

I CERTIFY THAT THE IMAGE CONTAINED ON THIS FRAME WAS MADE IN THE NORMAL AND REGULAR COURSE OF BUSINESS, ON THE DATE STATED BELOW AND THAT IT IS AN ACCURATE REPRODUCTION OF THE RECORD(S) SUBMITTED TO NUCLEAR RECORDS MANAGEMENT.

DATE: 4-24-92 OPERATOR: Fred Wiedle J6X