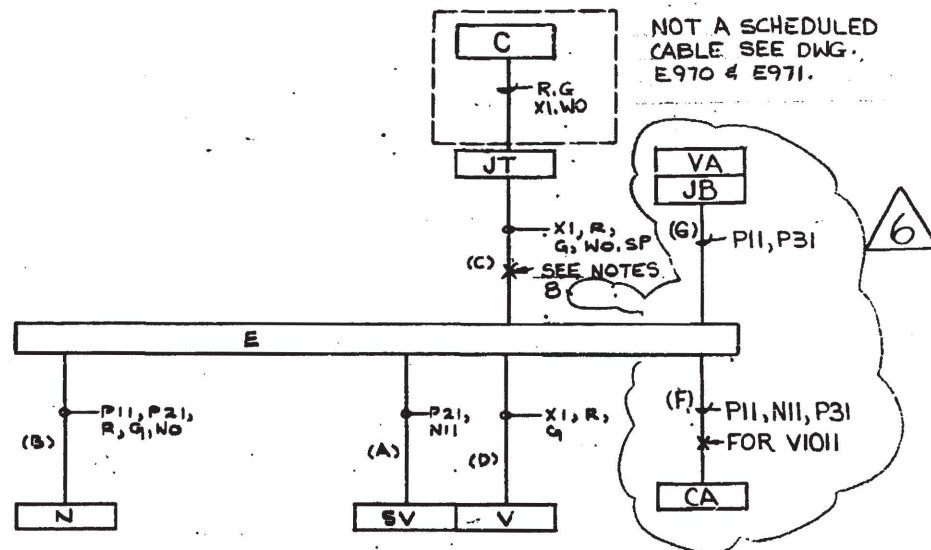


6	AS BUILT FOR MOD. 87-1107, SHIP. 2, INC. DCN. E-46B-230, 10/10/89 UPDATE	DATE	9/19/89	DR	GFS	CHK	DR	DATE	9/19/89	DR	GFS	CHK	DR	DATE	9/19/89	DR	DATE	9/19/89	DR	DATE	9/19/89	DR	DATE	9/19/89
5	AS BUILT FOR 67-63, INC. DCN. E-46B-172 & 174	DATE		DR	GFS	CHK	DR	DATE		DR	GFS	CHK	DR	DATE		DR	DATE		DR	DATE		DR	DATE	
0	ISSUED FOR CONSTRUCTION	DATE		DR	GFS	CHK	DR	DATE		DR	GFS	CHK	DR	DATE		DR	DATE		DR	DATE		DR	DATE	

LEGEND

SCHEME NO	S.U. NO.	CHANNEL	WIRE PREFIX AT MAIN CTRL. BD.	C.S.	EQUIPMENT											DESCRIPTION			
					C	CA	JT	SV	N	V	JB	VA							
VI001	083	2	STD		C5708	C5792	JT5722	SV1001	NV1001	VI001	JT6704	HV100-1							MN. STM. LINE 2 WU. ISO. VLV.
VI011	083	1	STC		C5708	C5762A	JT5721	SV1011	NV1011	VI011	JT6802	HV101-1							MN. STM. LINE 1 WU. ISO. VLV.

6



BLOCK DIAGRAM

NOTES:
1. FOR NOTES SEE SHEET 32A

DAVIS-BESSE NUCLEAR POWER STATION
 THE TOLEDO EDISON COMPANY
 THE CLEVELAND ELECTRIC ILLUMINATING COMPANY

ELEMENTARY WIRING DIAGRAMS
 STEAM & CONDENSATE
 MN. STM. LINES WU. ISO. VLV'S.

BECHTEL COMPANY	JOB NO. 7749	DRAWING NO. E-46 B SH.32 B	REV. 6
-----------------	------------------------	-------------------------------	------------------

I CERTIFY THAT THE IMAGE CONTAINED ON THIS FRAME WAS MADE IN THE NORMAL AND REGULAR COURSE OF BUSINESS, ON THE DATE STATED BELOW AND THAT IT IS AN ACCURATE REPRODUCTION OF THE RECORD(S) SUBMITTED TO NUCLEAR RECORDS MANAGEMENT.

DATE **9-19-89** OPERATOR **Sharon Sutto** 16X