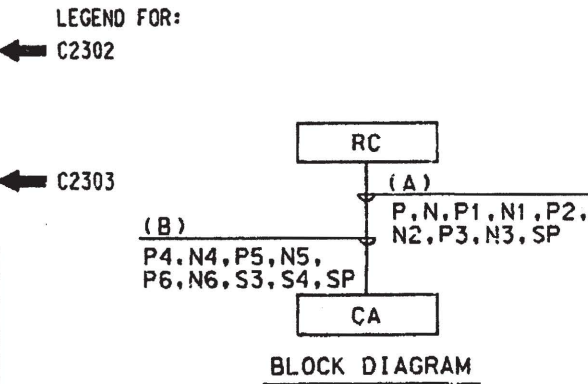
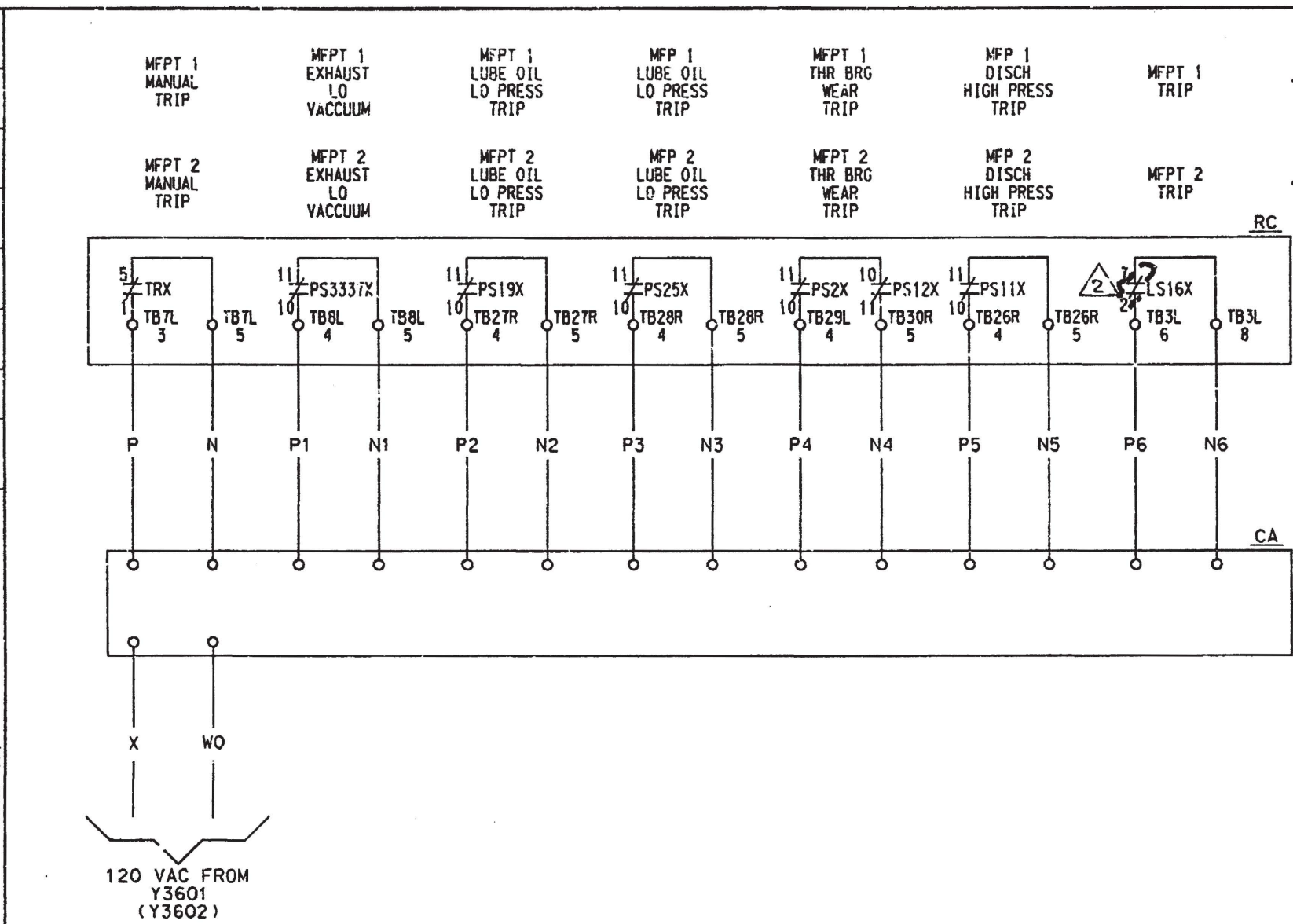


2	AS-BUILT FOR DCR 89-0194 INC. DCN E-45B-179	JLH	DR	DATE	9-5-86	GS	DR	DATE	11-7-86	11-7-86	INITIALS ON FILE	VM	PROJ	OWNER
1	AS-BUILT FOR FCR 85-203, REV. A, SUPP. 4, INC. DCN E-45B-112	JLH	DR	DATE	9-5-86	GS	DR	DATE	11-7-86	11-7-86	INITIALS ON FILE	VM	PROJ	OWNER
0	ISSUED FOR FCR 85-203	JLH	DR	DATE	9-5-86	GS	DR	DATE	11-7-86	11-7-86	INITIALS ON FILE	VM	PROJ	OWNER



SCHEME	EQUIPMENT		DIST PANEL	CHANNEL	S.U. NO.
	RC	CA			
MFPT16	RC2404	C2302	Y3601	A	036B
MFPT26	RC2304	C2303	Y3602	B	036B

**DAVIS-BESSE NUCLEAR POWER STATION**

THE TOLEDO EDISON COMPANY  
THE CLEVELAND ELECTRIC ILLUMINATING COMPANY

ELEMENTARY WIRING DIAGRAM  
MFPT LOCAL ANNUNCIATION

JOB NO.	DRAWING NO.	REV.
7749	E-45B SH1K	2

I CERTIFY THAT THE IMAGE CONTAINED ON THIS FRAME WAS MADE IN THE NORMAL AND REGULAR COURSE OF BUSINESS, ON THE DATE STATED BELOW AND THAT IT IS AN ACCURATE REPRODUCTION OF THE RECORD(S) SUBMITTED TO NUCLEAR RECORDS MANAGEMENT.

10

16X