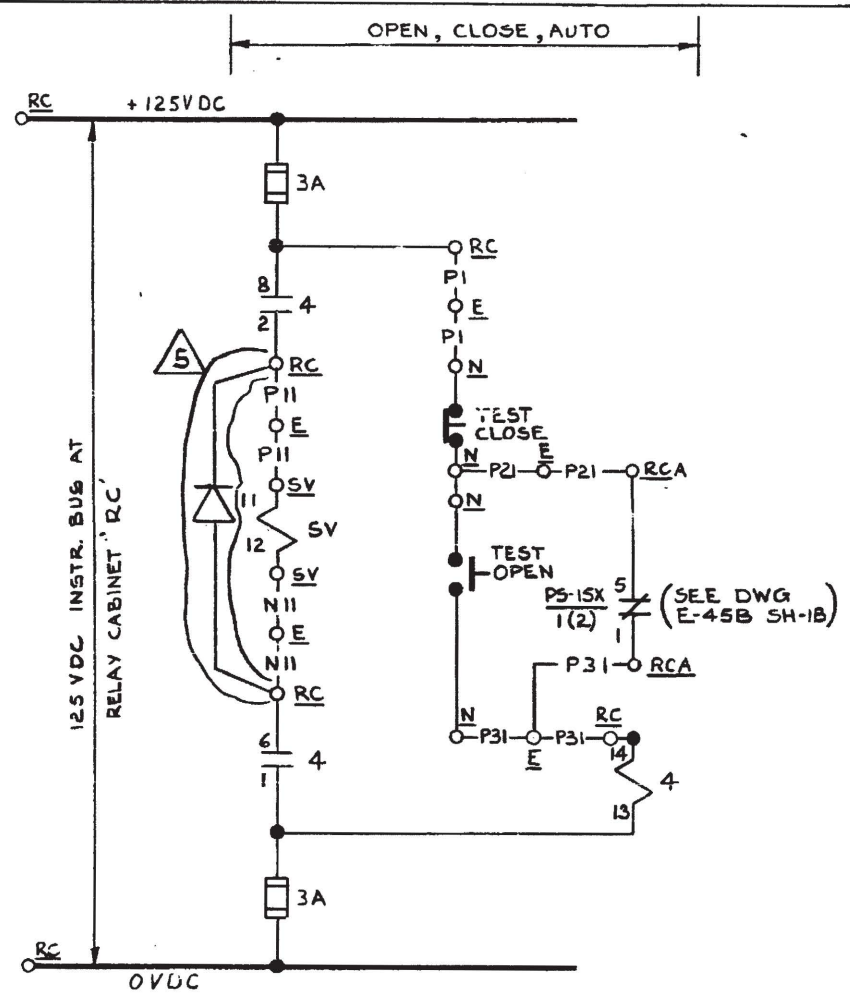
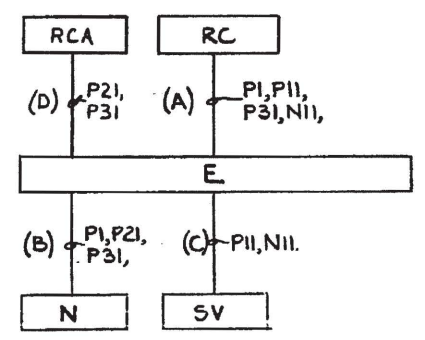
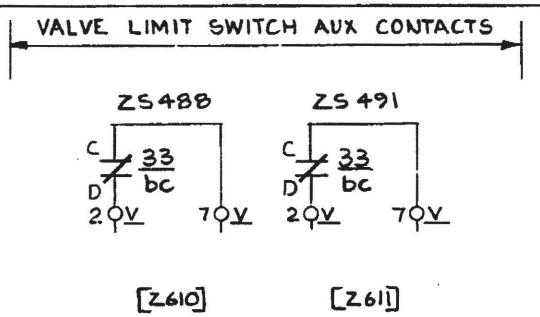
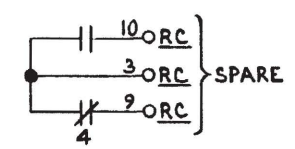


OWNER	OWNER	OWNER	OWNER	OWNER	OWNER
CHIEF	CHIEF	CHIEF	CHIEF	CHIEF	CHIEF
SUPT	SUPT	SUPT	SUPT	SUPT	SUPT
CHK	CHK	CHK	CHK	CHK	CHK
DATE	DATE	DATE	DATE	DATE	DATE
DR	DR	DR	DR	DR	DR
REV.	REV.	REV.	REV.	REV.	REV.
DESCRIPTION	DESCRIPTION	DESCRIPTION	DESCRIPTION	DESCRIPTION	DESCRIPTION
4	REVISED AS NOTED				
5	INC DCN E-44B-335&336 PER MODB7-1014 SUP.D				
0	ISSUED FOR CONSTRUCTION				



SCHEME NO (SEE TABLE)

SCHEME NO	START UP NO	CHANNEL	AUXILIARY RELAY		EQUIPMENT					DESCRIPTION
			NO	CONT. NO	RC	E	N	SV	RCA	
V488	036	A	PS-15X	5-1	RC 4311	EV 264A	NV 488	SV 488	RC 2404	MFP 1-1 DISCHARGE CHECK
V491	036	B	PS-15X	5-1	RC 4410	EV 370A	NV 491	SV 491	RC 2304	MFP 1-2 DISCHARGE CHECK



BLOCK DIAGRAM

NOTES

- FOR GENERAL NOTES SEE E-44B INDEX
- FOR DETAILS OF LOCAL PUSHBUTTONS AND IND. LIGHTS, SEE DWG E-30B, SH-7, TYPES 2
- FOR DETAILS OF SOLENOID LIMIT SWITCHES SEE SCHUTTE & KOERTING CO. DWG. 72XG-42 (FPM 318-4)

DAVIS-BESSE NUCLEAR POWER STATION
 THE TOLEDO EDISON COMPANY
 THE CLEVELAND ELECTRIC ILLUMINATING COMPANY

ELEMENTARY WIRING DIAGRAMS
 FEEDWATER SYSTEM
 FEEDWATER DISCHARGE VALVES

BECHTEL COMPANY	JOB NO.	DRAWING NO.	REV.
	7749	E-44B SH-2	5

I CERTIFY THAT THE IMAGE CONTAINED ON THIS FRAME WAS MADE IN THE NORMAL AND REGULAR COURSE OF BUSINESS, ON THE DATE STATED BELOW AND THAT IT IS AN ACCURATE REPRODUCTION OF THE RECORD(S) SUBMITTED TO NUCLEAR RECORDS MANAGEMENT.

DATE 10-4-91 OPERATOR Cynthia Ortel 16X