

- INFORMATIVE NOTES:
- THIS DRAWING IS APPLICABLE FOR ACTUATION CHANNELS 1 AND 2. THE LABELING DESCRIBES ACTUATION CHANNEL 1 ONLY.
 - FOR TERMINAL BLOCK, LED, PUSH-BUTTON, AND KEYSWITCH TED LABELING CROSS-REFERENCES TO CCC LABELS SHOWN ON THIS DRAWING, REFER TO DRAWING SF-0001A.
- SCHEMATIC NOTES:
- ALL MODULE REMOVALS ARE WIRED IN SERIES WITH ONE END OF THE CHAIN CONNECTED TO ABT2-15 AND THE OTHER END TO ABT2-16 FOR CHANNEL 1 (2) AND ABT2-15 & -16 FOR CHANNEL 3 (4).
 - FOR CONTINUATION OF LOP LOOP SEE POWER DISTRIBUTION DIAGRAM KJH7316.
 - FOR POWER SUPPLY CONNECTIONS SEE KJH7316.
 - OPERATING CONTROL LEGENDS SHOWN IN RECTANGLE SYMBOLS ARE AS MARKED ON THE FRONT PANELS.

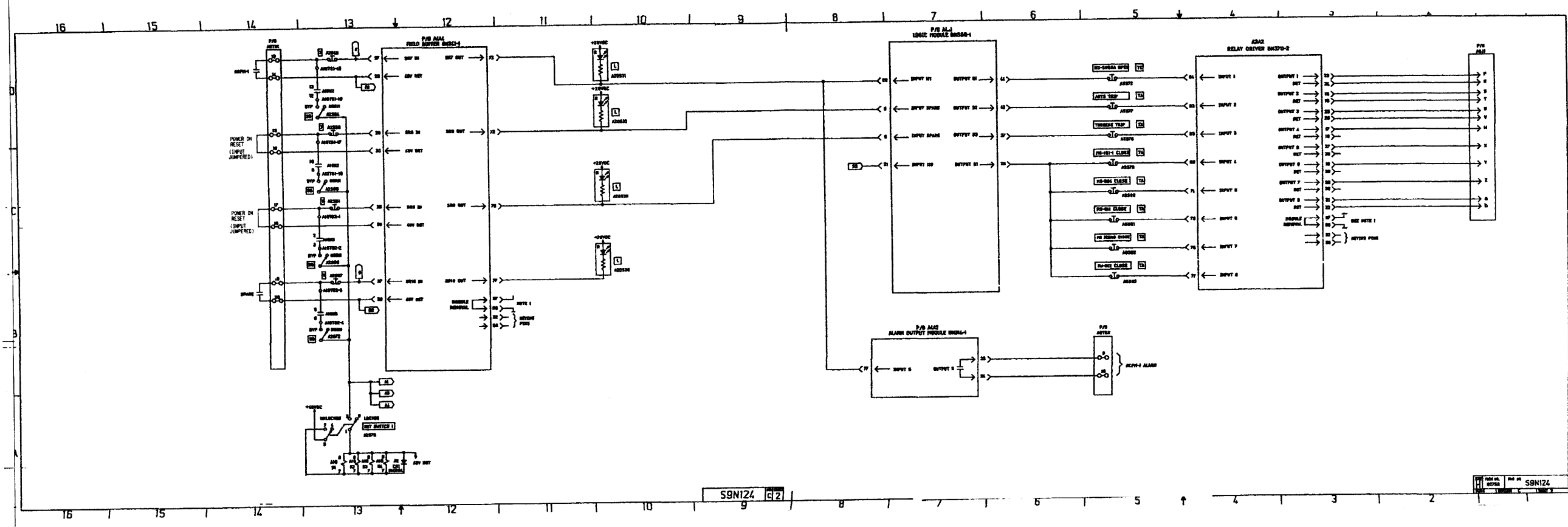
THIS DRAWING WAS REDRAWN/SCANNED ON CAD AND SUPERSEDES SUBMITTAL 4.

TR	DATE	BY	CHKD	REVISED ONLY
T1	1/1/81	SWT'S 3.4.8.4	REVISED ONLY	
T2	1/1/81	SWT'S 3.4.8.4	REVISED ONLY	

NO.	DATE	REVISIONS	BY	CHK'D	SUPV
15	7/1/81	INC. DUN 13-0383-001-001 REV. 0	SWT	AW	SWT
14	5/1/81	INC. DUN'S 10-0124-001-000, 10-0124-002-000, 10-0124-003-000 & 10-0124-004-000 ALL REV. 0 & DEL. SPACES IN "INFORMATIVE NOTES" NOTICE. PLACING "TO LABELING" "DESCRIBES" TO "DESCRIBES" AND "LABELING TO LABELING" AND "LABELS TO LABELS" ALL SPELLING ERRORS FOUND ON MOST OF THE 10 SHEETS. (REDRAWN)	SWT	AW	SWT
13		REPLACEMENT PARTS FOR 10-0124-001-000 FOR DUN'S 10-0124-001-000, 10-0124-002-000, 10-0124-003-000 & 10-0124-004-000. (REPLACEMENT PARTS FOR 10-0124-001-000, 10-0124-002-000, 10-0124-003-000 & 10-0124-004-000)	SWT	AW	SWT

E-30AQ-006-X-6
SHEET 1 OF 10

NO.	DATE	REVISIONS	BY	CHK'D	SUPV
15	7/1/81	INC. DUN 13-0383-001-001 REV. 0	SWT	AW	SWT



S9N124 2

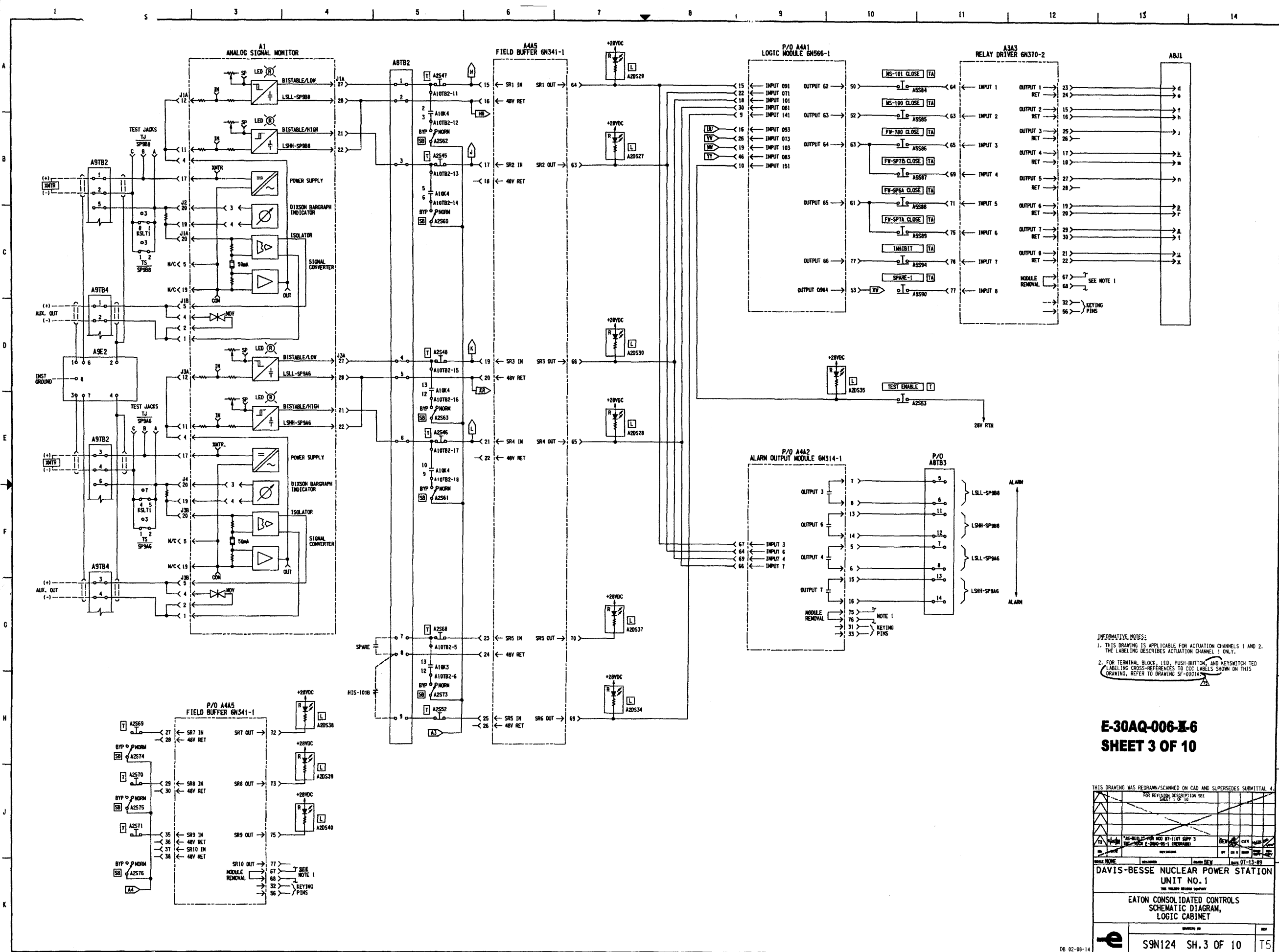
S9N124

- INFORMATIONAL NOTES:**
1. THIS DRAWING IS APPLICABLE FOR ACTUATION CHANNELS 1 AND 2. THE LABELING DESCRIBES ACTUATION CHANNEL 1 ONLY.
 2. FOR TERMINAL BLOCK, LED, PUSH-BUTTON, AND KEYSWITCH TED LABELING CROSS-REFERENCES TO CCC LABELS SHOWN ON THIS DRAWING, REFER TO DRAWING SF-0001A.

THIS DRAWING WAS REDRAWN/SCANNED ON CAD AND SUPERSEDES SUBMITTAL 4.
FOR REVISION DESCRIPTION SEE SHEET 1 OF 10

NO.	DATE	REVISIONS	BY	CHK	APP
T2	5/15/97	SWT'S 3, 4, 5, 6 - REVISED ONLY	WAB	CRK	MSD
T1	1/1/99	SWT'S 3, 4, 5, 6 - REVISED DRAW	SPB	CRK	MSD

E-30AQ-006-X-6
SHEET 2 OF 10



INFORMATIVE NOTES:
 1. THIS DRAWING IS APPLICABLE FOR ACTUATION CHANNELS 1 AND 2. THE LABELING DESCRIBES ACTUATION CHANNEL 1 ONLY.
 2. FOR TERMINAL BLOCK, LED, PUSH-BUTTON, AND KEYSWITCH TIED LABELING CROSS-REFERENCES TO OCC LABELS SHOWN ON THIS DRAWING, REFER TO DRAWING SF-0031A.

**E-30AQ-006-B-6
 SHEET 3 OF 10**

THIS DRAWING WAS REDRAWN/SCANNED ON CAD AND SUPERSEDES SUBMITTAL 4 FOR REVISION DESCRIPTION SEE SHEET 1 OF 10

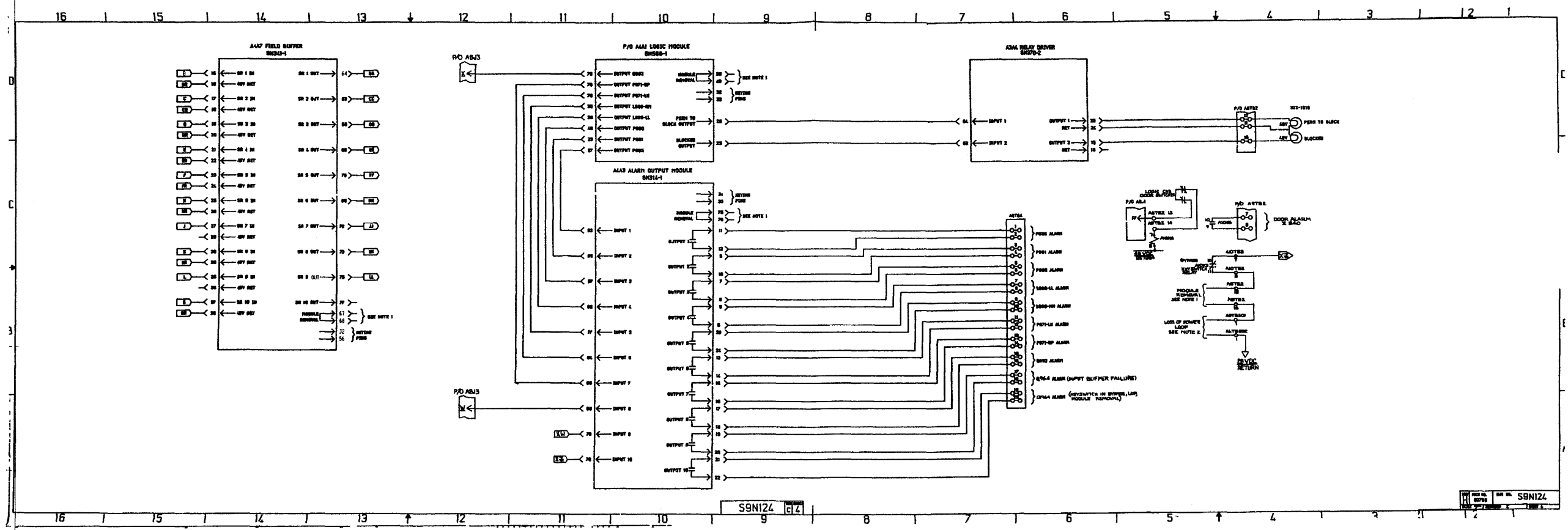
REV	DATE	BY	CHKD
1	07-13-92		

DAVIS-BESSE NUCLEAR POWER STATION
 UNIT NO. 1
 THE RELAY ROOM CABINET

EATON CONSOLIDATED CONTROLS
 SCHEMATIC DIAGRAM,
 LOGIC CABINET

DATE: 08-02-14
 SHEET NO: S9N124 SH.3 OF 10
 T5

DFW-1/ELEC/E30AQ006B3.DGN/T1F



S9N1Z4 612

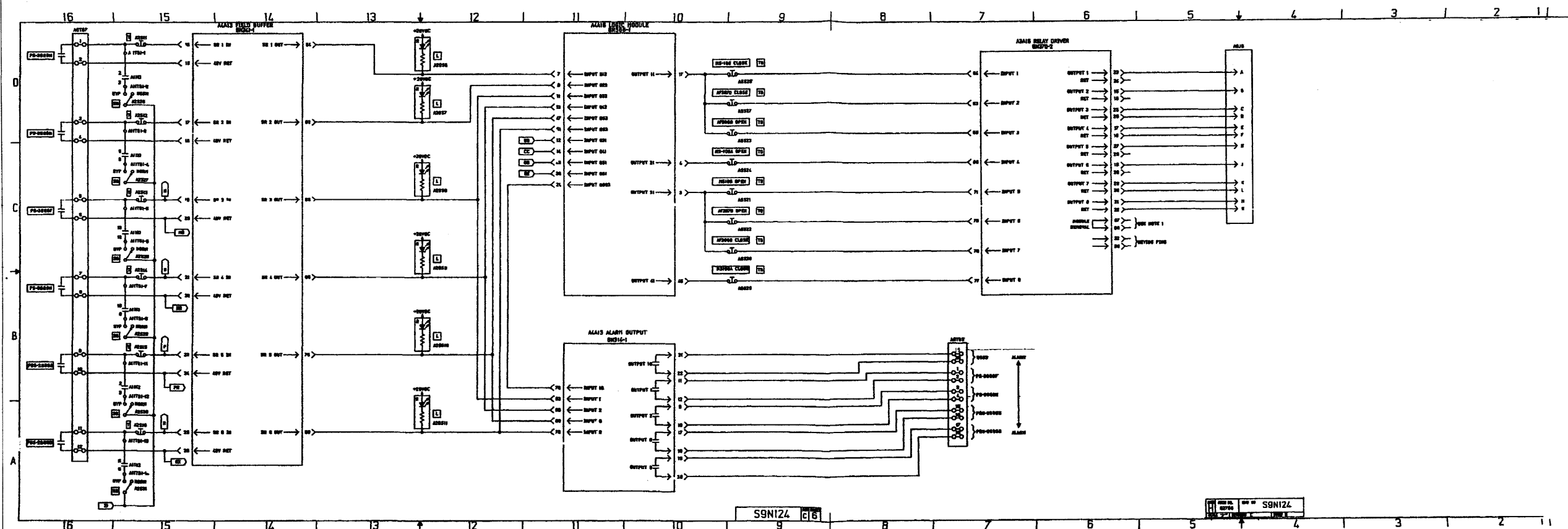
S9N1Z4 612

INFORMATIVE NOTES:
 1. THIS DRAWING IS APPLICABLE FOR ACTUATION CHANNELS 1 AND 2. THE LABELING DESCRIBES ACTUATION CHANNEL 1 ONLY.
 2. FOR TERMINAL BLOCK, LED, PUSH-BUTTON, AND KEYSWITCH LABELING CROSS-REFERENCES TO ECC LABELS SHOWN ON THIS DRAWING, REFER TO DRAWING SF-0001A.

**E-30AQ-006-X-6
 SHEET 4 OF 10**

THIS DRAWING WAS REDRAWN/SCANNED ON CAD AND SUPERSEDES SUBMITTAL 4. FOR REVISION DESCRIPTION SEE SHEET 1 OF 10.

APPROVED FOR RELEASE BY THE DIRECTOR OF ARMS CONTROL AND AMBASSADOR	INITIALS OF FILE
DATE	BY
REVISION	BY

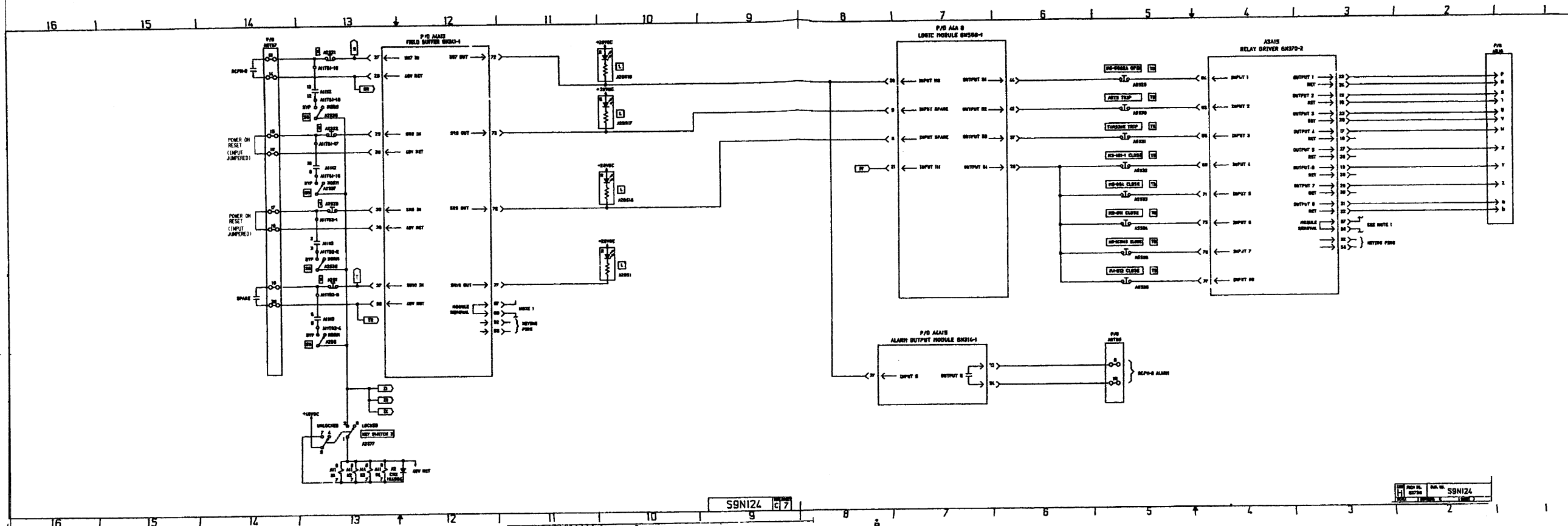


INFORMATIVE NOTES:
 1. THIS DRAWING IS APPLICABLE FOR ACTUATION CHANNELS 1 AND 2. THE LABELING DESCRIBES ACTUATION CHANNEL 1 ONLY.
 2. FOR TERMINAL BLOCK, LED, PUSH-BUTTON, AND KEYSWITCH TYPICAL LABELING CROSS-REFERENCES TO CCC LABELS SHOWN ON THIS DRAWING, REFER TO DRAWING SP-0001A.

**E-30AQ-006-X-6
 SHEET 6 OF 10**

THIS DRAWING WAS REDRAWN/SCANNED ON CAD AND SUPERSEDES SUBMITTAL 4.
 FOR REVISION DESCRIPTION SEE SHEET 1 OF 10

REV	DATE	BY	CHKD	APP'D	REVISIONS
T1	1/1/00	SMYTH, S.A., S.F.S.	SMYTH, S.A., S.F.S.	SMYTH, S.A., S.F.S.	REVISED ONLY
NO	DATE	BY	CHKD	APP'D	REVISIONS



S9124 17

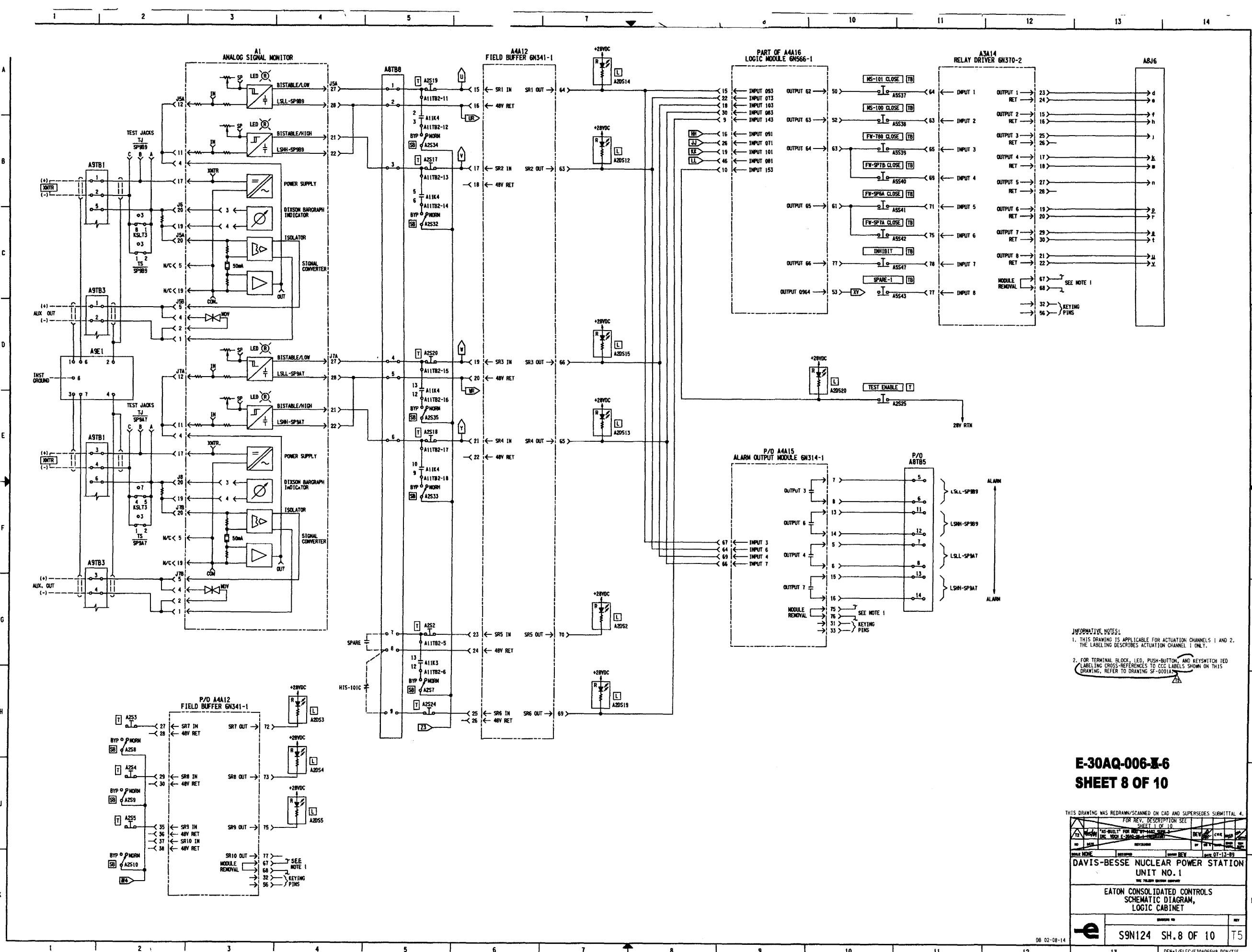
PROJ NO. S9124
 DRAWING NO. S9124
 SHEET NO. 7 OF 10

INFORMATIVE NOTES:
 1. THIS DRAWING IS APPLICABLE FOR ACTUATION CHANNELS 1 AND 2. THE LABELING DESCRIBES ACTUATION CHANNEL 1 ONLY.
 2. FOR TERMINAL BLOCK, LED, PUSH-BUTTON, AND KEYSWITCH TED LABELING CROSS-REFERENCES TO CCC LABELS SHOWN ON THIS DRAWING, REFER TO DRAWING SF-0001A.

E-30AQ-006-X-6
SHEET 7 OF 10

THIS DRAWING WAS REDRAWN/SCANNED ON CAD AND SUPERSEDES SUBMITTAL 4.
 FOR REVISION DESCRIPTION SEE SHEET 1 OF 10

NO	DATE	REVISIONS	BY	CHKD	APPROV
TE	10/1/01	SMT'S 3, 4, 5, 6, 7 - REVISED ONLY	KAB	CAB	[Signature]
T1	1/1/01	SMT'S 3, 4, 5, 6, 7 - REVISED ONLY	CMB	CBA	[Signature]
NO					



INFORMATIVE NOTES:
 1. THIS DRAWING IS APPLICABLE FOR ACTUATION CHANNELS 1 AND 2. THE LABELING DESCRIBES ACTUATION CHANNEL 1 ONLY.
 2. FOR TERMINAL BLOCK, LED, PUSH-BUTTON, AND KEYSWITCH TEO LABELING CROSS-REFERENCES TO CCC LABELS SHOWN ON THIS DRAWING, REFER TO DRAWING SF-0001A.

E-30AQ-006-X-6
SHEET 8 OF 10

THIS DRAWING WAS REDRAWN/SCANNED ON CAD AND SUPERSEDES SUBMITTAL 4.
 FOR REV. DESCRIPTION SEE SHEET 1 OF 10.

NO.	DATE	REVISION	BY	CHKD.

DATE: 07-13-99

DAVIS-BESSE NUCLEAR POWER STATION UNIT NO. 1

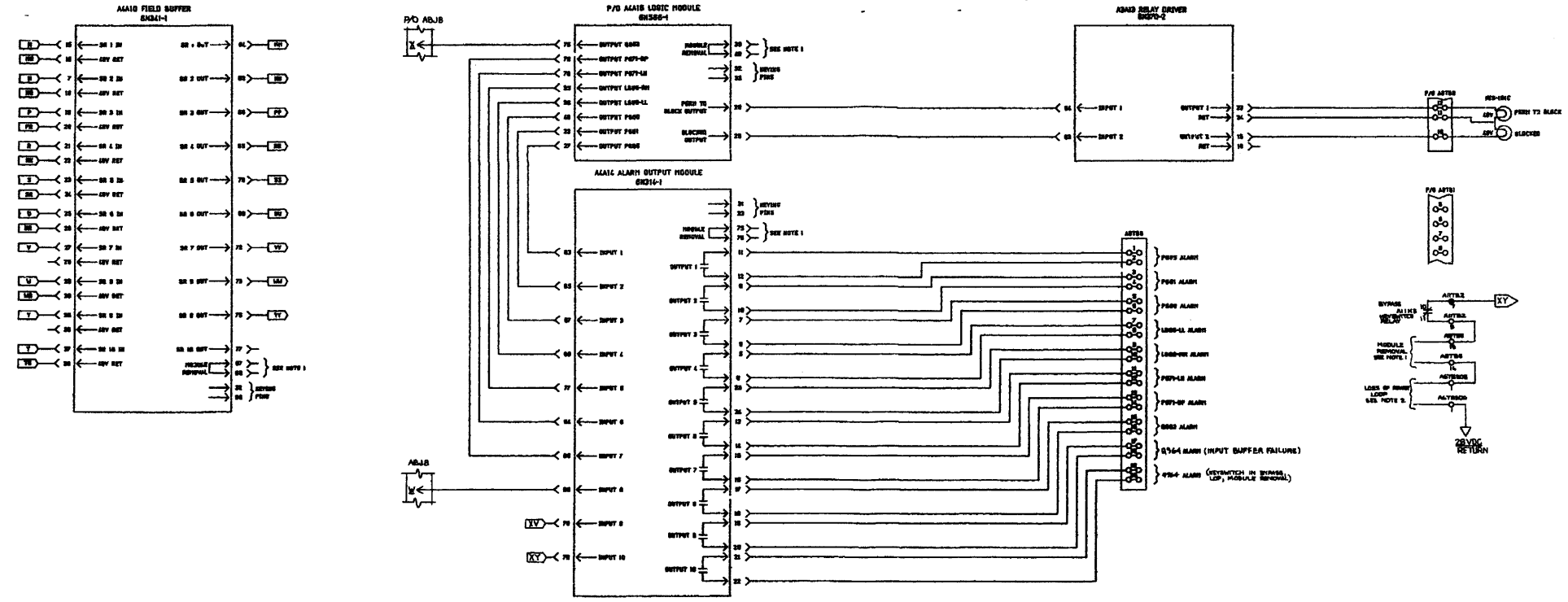
EATON CONSOLIDATED CONTROLS
 SCHEMATIC DIAGRAM,
 LOGIC CABINET

NO. S9N124 SH.8 OF 10

DATE: 08-14

DFN+1/ELEC/E30AQ06SH8.DGN/TIF

16 15 14 13 12 11 10 9 8 7 6 5 4 3 2 1



16 15 14 13 12 11 10 9 8 7 6 5 4 3 2 1

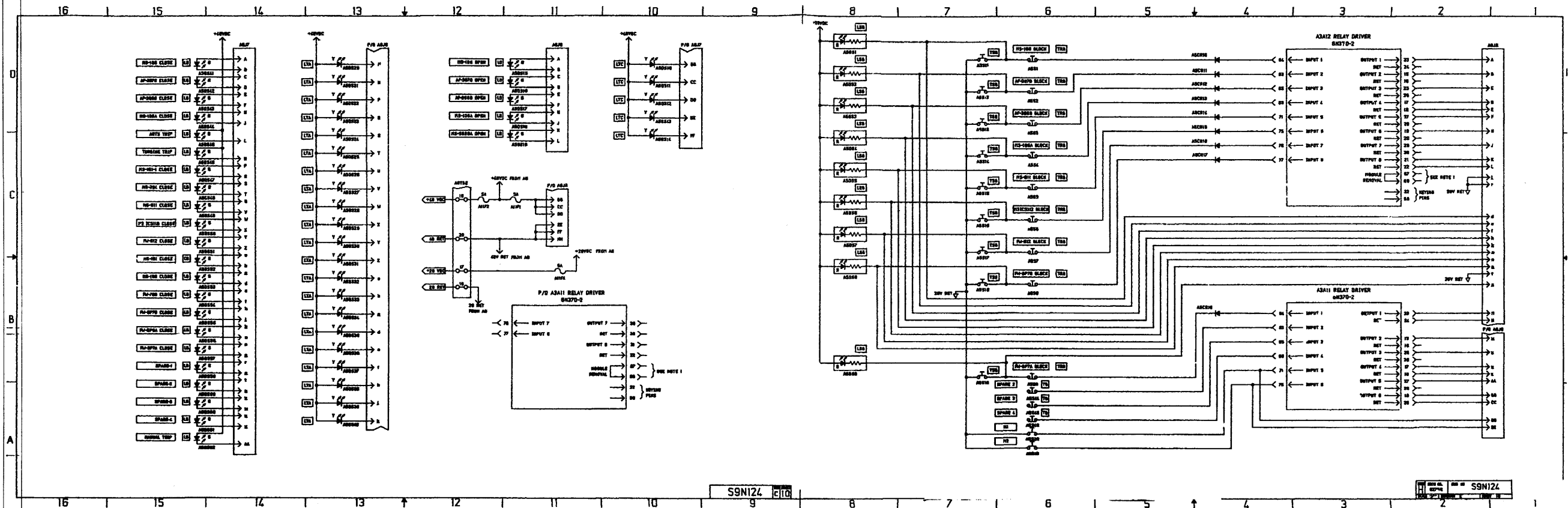
S9N124 9 8 7 6 5 4 3 2 1

INFORMATIVE NOTES:
 1. THIS DRAWING IS APPLICABLE FOR ACTUATION CHANNELS 1 AND 2. THE LABELING DESCRIBES ACTUATION CHANNEL 1 ONLY.
 2. FOR TERMINAL BLOCK, LED, PUSH-BUTTON, AND KEYSWITCH TIED LABELING CROSS-REFERENCES TO CCC LABELS SHOWN ON THIS DRAWING, REFER TO DRAWING SF-0001A.

E-30AQ-006-K-6
SHEET 9 OF 10

THIS DRAWING WAS REDRAWN/SCANNED ON CAD AND SUPERSEDES SUBMITTAL 4. FOR REVISION DESCRIPTION SEE SHEET 1 OF 10.

REV	DATE	BY	CHKD	APP'D	DESCRIPTION
T1	1/4/04
...



S9N124 E10

S9N124

INFORMATIVE NOTES:
 1. THIS DRAWING IS APPLICABLE FOR ACTUATION CHANNELS 1 AND 2. THE LABELING DESCRIBES ACTUATION CHANNEL 1 ONLY.
 2. FOR TERMINAL BLOCK, LED, PUSH-BUTTON, AND KEYSWITCH TED LABELING CROSS-REFERENCES TO OCC LABELS SHOWN ON THIS DRAWING, REFER TO DRAWING SF-0001A.

**E-30AQ-006-X-6
 SHEET 10 OF 10**

THIS DRAWING WAS REDRAWN/SCANNED ON CAD AND SUPERSEDES SUBMITTAL 4.
 FOR REVISION DESCRIPTION SEE SHEET 1 OF 10.

REV	DATE	BY	CHKD	APP'D	DESCRIPTION
1	11/14/97	SMY'S	3.4.0	7/10	REVISED ONLY.
2					
3					
4					