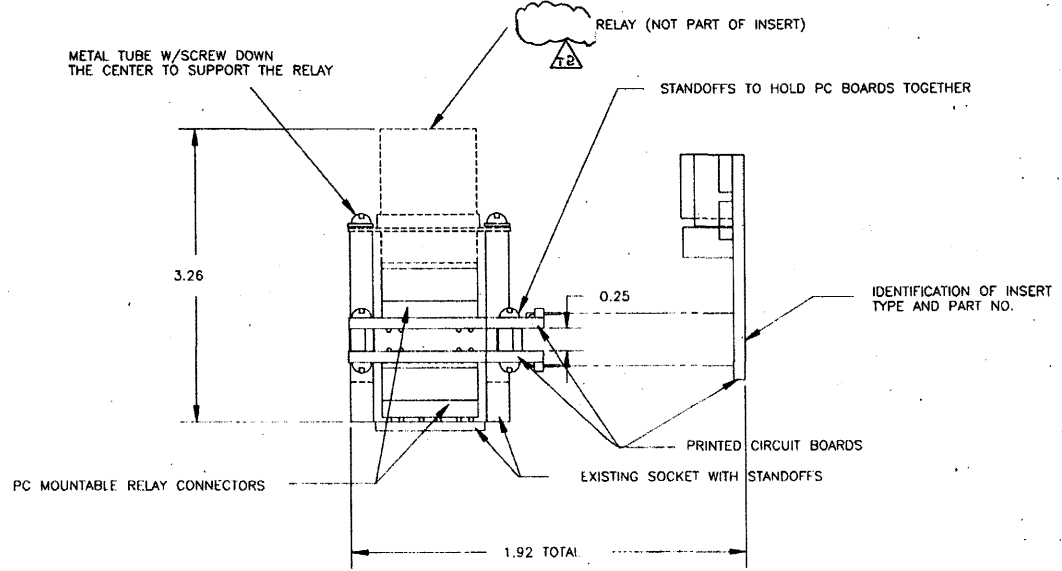
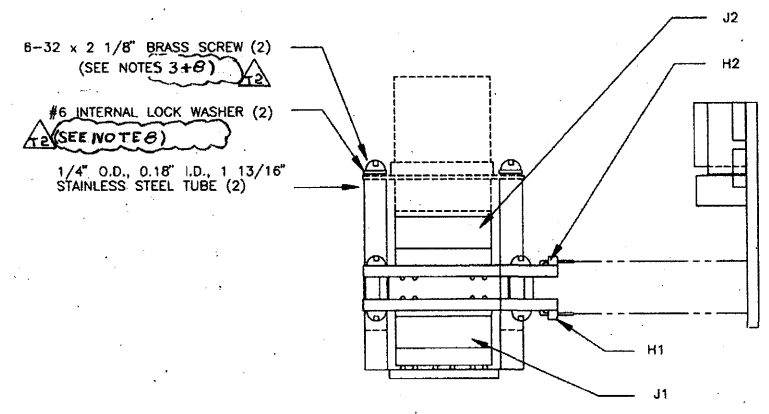


REVISIONS			
REV	DESCRIPTION	DATE	APPROVAL
6	REMOVED WASHER BETWEEN STANDOFF SCREWS AND PC BOARDS	5/28/91	OPG MM MNV

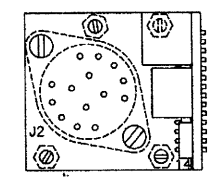
SIDE VIEW



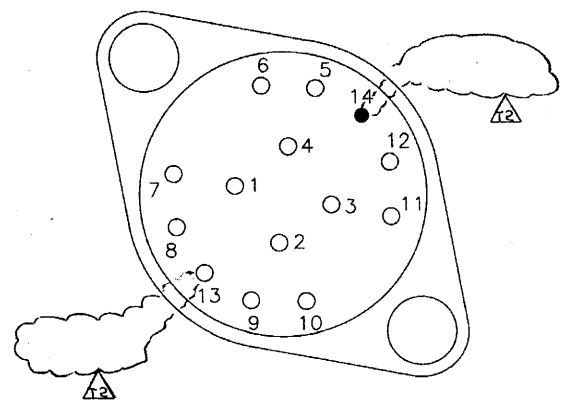
PART IDENTIFICATION



TOP VIEW

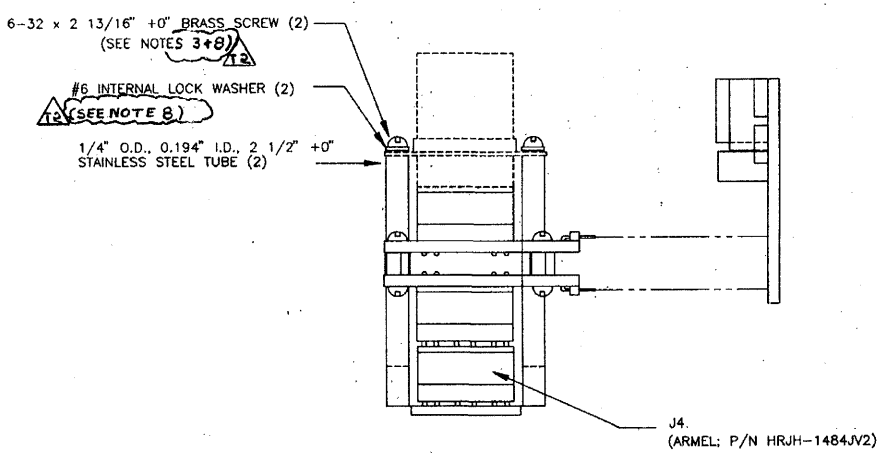


PIN DESIGNATION TOP VIEW



EXTENSION KIT (P/N 1209931A)  
PART IDENTIFICATION

(SEE NOTE 6)



NOTES:

- FOR INSERT TYPE SEE DRAWING NO. FOR THE ELECTRICAL SCHEMATIC.
 

1X	1209786D - (DB DWG, E-30-00340)
2F	1209787D - (DB DWG, E-30-00341)
2I	1209788D - (DB DWG, E-30-00342)
3X	1209789D - (DB DWG, E-30-00343)
  - ALL DIMENSIONS ARE IN INCHES.
  - SCREWS SHOULD BE TIGHTENED NO GREATER THAN 8 INCH-POUNDS AND NO LESS THAN 7 INCH-POUNDS. INFO NOTE: IMPROPER SCREW/SPACER LENGTH MAY PREVENT PROPER TIGHTENING. RECOMMEND LENGTH TOLERANCE OF  $\pm 0.0152$ .
  - THE ELECTRICAL CONNECTION BETWEEN J1 & H1, J2 & H2 IS STRAIGHT THROUGH (PIN 1 TO PIN 1, PIN 2 TO PIN 2,.....).
  - FOR PARTS LIST SEE INSTRUCTION MANUAL 01-1203445.
  - EXTENSION KIT USABLE WITH INSERT TYPES 1X, 2F, 2I AND 3X.
- ~~7) DELETED~~
- (B.) REFER TO DRAWING E-30-363 FOR SCREW LENGTHS, WASHER CONFIGURATION, AND TORQUE VALUES IF USING RELAY PART NUMBER 0200-0068-PN01 IN PLACE OF THE CYLINDRICAL RELAY. E-30-346-X-84

EXT-91-04.067  
THE TOLEDO EDISON COMPANY  
NUCLEAR ENGINEERING  
DOCUMENT REVIEW

1. WORK SHOWN PROCESSED  
2. CHANGE AND REVISIONS:  
WHY SHOWN PROCESSED SUBJECT TO IDENTIFICATION OF THE CHANGES INDICATED  
3. CHANGE AND REVISIONS BY:  
4. REVIEW NOT REQUIRED  
WHY SHOWN PROCESSED: PERMISSIVE PROCESSED BY THE DOCUMENT DOES NOT RELIEVE THE SUPPLIER FROM FULL COMPLIANCE WITH PURCHASE, ORDER-CONTRACT SPECIFICATION REQUIREMENTS.  
APPROVED BY: [Signature]  
DATE: 5/28/91  
CONTINUE NUMBER: E-30-346-2

NO.	DATE	REVISIONS	BY	CHK	SUPV
T2	10/12/91	INC. DCN E-30-346-3 PER ECR03-0381-00 + GEN. UPDATE PER ECR04-0103-00 (CA 03-02725-09) INC. DCN E-30-346-2	EAL	SR	RE
T1	10/12/91	GEN. UPDATE PER DCN E-30-346-1 PER DCN 02-1259 (CR02-00955)	SR	SR	PK

OWN. BY D. P. GERHARD	SFAS SURVEILLANCE INSERT OUTLINE	SCALE NONE
CHKD. BY D. P. GERHARD		
PASSED BY M. N. VICKERS		
APPROV. BY R. K. KENNEDY		
STD. ISPL. DATE 5/28/91	TOLEDO EDISON DAVIS BESSE POWER STATION	DO NOT SCALE - USE DIMENSIONS ONLY
P.O. NO. S 025236 D91		SCALE NONE
REV. NO. 6		SCALE NONE