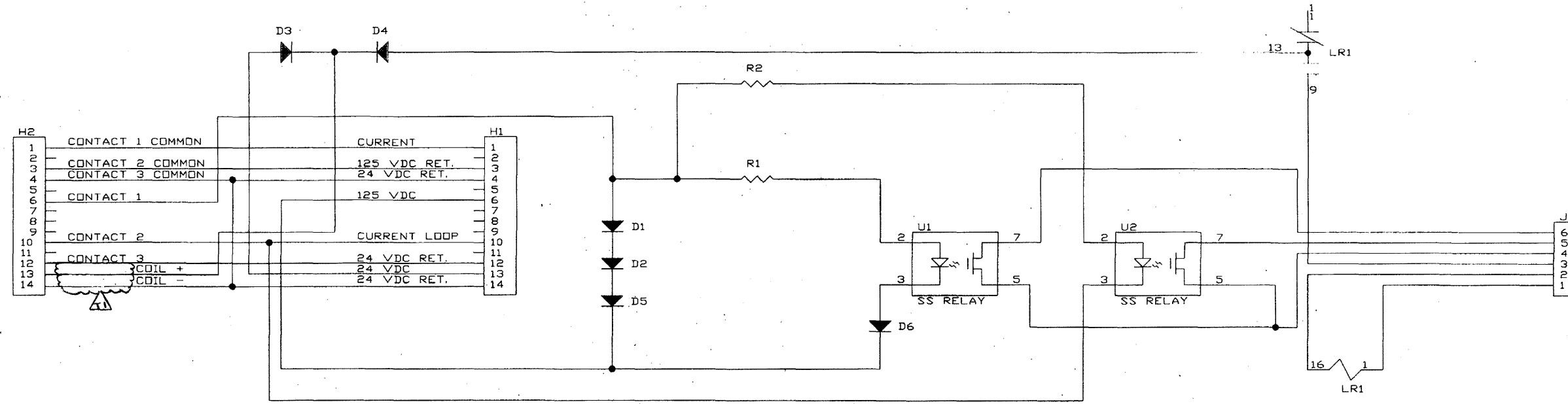


SOV INSERT - TYPE 2F

NOTES:

- 1.) FOR REFERENCE SEE BWNS DRAWING NO. 1209792D (SFAS - SURVEILLANCE INSERT OUTLINE)
- 2.) FOR PARTS LIST SEE INSTRUCTION MANUAL 01-1203445



REVISIONS			
REV	DESCRIPTION	DATE	APPROVAL

EXT-91-03722
 THE TOLEDO EDISON COMPANY
 NUCLEAR ENGINEERING
 DOCUMENT REVIEW
 1. WORK DATA PROVIDED
 2. REVISE AND RESUBMIT
 3. REVIEW AND RESUBMIT
 4. REVIEW NOT REQUIRED
 WORK DATA PROVIDED
 PERMISSION TO PROCEED ON THIS DOCUMENT DOES NOT
 RELIEVE THE SIGNER FROM FULL COMPLIANCE WITH
 PURCHASE ORDER/CONTRACT SPECIFICATION RE-
 QUIREMENTS
 REVIEWED BY: *C.E. [Signature]*
 DATE APPROVED: 8-9-81
 WORK NUMBER: E-30-341-1
 SERIAL NUMBER: 30-341-1

E-30-341-X 2

DWNL BY D. P. GERHARD
 CHKD BY *[Signature]*
 PASSED BY *[Signature]*
 APPVD BY *[Signature]*
 STD. SPL. DATE 3/28/81
 P.O. NO. S 025236 D91
 TOLEDO EDISON
 DAVIS BESSE POWER
 STATION

SFAS
 SOV INSERT
 TYPE 2F
 ELECTRICAL
 SCHEMATIC

THIS DRAWING IS THE PROPERTY OF
 THE TOLEDO EDISON COMPANY
 AND IS LOANED UNDER THE CONDITION THAT IT IS NOT TO BE
 REPRODUCED OR COPIED IN WHOLE OR IN PART, OR USED
 FOR ANY OTHER PURPOSE WITHOUT THE WRITTEN PERMISSION OF
 THE TOLEDO EDISON COMPANY.
 DO NOT SCALE - USE
 DIMENSIONS ONLY SCALE NONE
 DWG. NO. 1209787D
 REV. 0

NO.	DATE	REVISIONS	BY	CH'K	SUPV