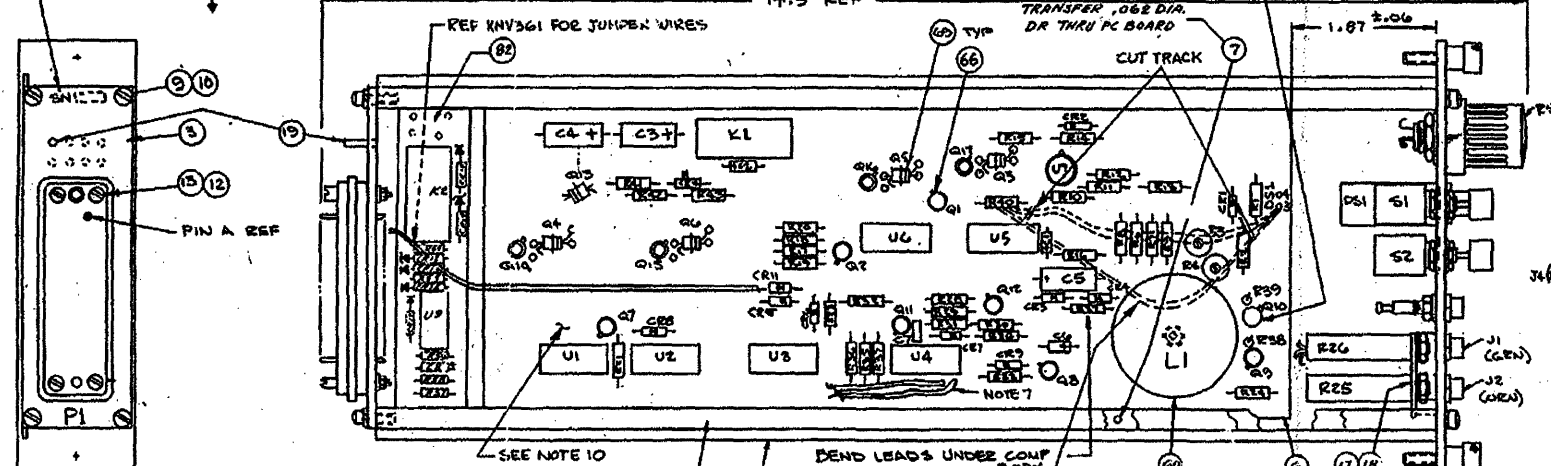
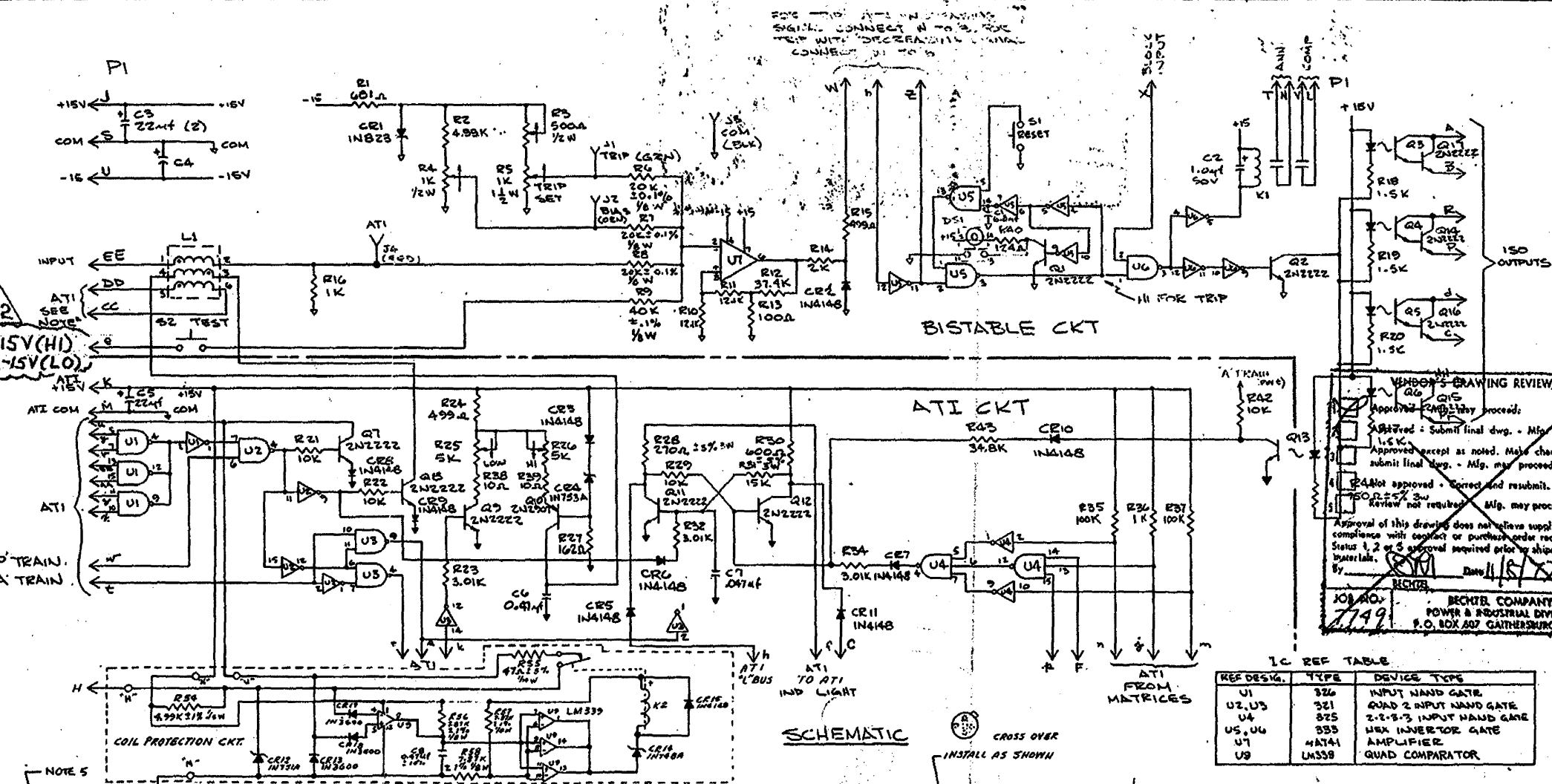


REVISIONS

NO.	DATE	BY	CHK	ENGR	
T2	9-15-73	INC	DCN	E-30-17-3 PER	REC

NOTES (CON'D):
 12 WHEN ALTERNATE DISPLAY LAMP IS USED MODIFY WIRE LIST AS FOLLOWS: DSCJ-1 BECOMES DSCJ-3, DSCJ-3 BECOMES DSCJ-6, DSCJ-4 BECOMES DSCJ-5, AND DSCJ-2 REMAINS THE SAME.



NOTES

1. A MANUFACTURING OPTION MAY BE USED TO WIRE LEADS, PROVIDING THAT THE WIRE IS WHITE AND WIRE MARKERS USED.
2. OPTIONAL TERMINAL WIRING MAY BE EITHER A OR B METHOD.
3. MARK APPLICABLE SERIAL NO. IN HIGH GOTHIC CHARACTER. USE BLACK EPOXY INK.
4. FOR QUALITY COURTESY PERFORMANCE SEE CCC DNG WMS/1.
5. WIRE TO BE ROUTED ON COMP SIDE OF PC BOARD. WIRE VIA SHORTEST ROUTE. REF KNV361 & WIRE NOS 71 & 72.

1. FOR TRIP WITH INCREASING SIGNAL, CONNECT W TO K. FOR TRIP WITH DECREASING SIGNAL, CONNECT U TO K.

2. FOR TRIP WITH INCREASING SIGNAL, CONNECT U TO CC AND CONNECT U TO DR FOR TRIP WITH DECREASING INPUT SIGNAL, REVERSE CONNECTIONS.

3. UNLESS NOTED OTHERWISE ALL RESISTORS ARE 1%, 1/4W.

4. UNLESS NOTED OTHERWISE ALL CAPACITORS ARE 10%, 20V.

5. R33 WAS REPLACED BY AN AWG 24 JUMPER.

6. WIRES 74-77 ARE 4" LONG.

REVISIONS

ZONE	LTR	DESCRIPTION	DATE	APPROVED
A		REVISED SCHEMATIC	8-28-73	K
B		REVISED SCHEMATIC	8-28-73	K
C		REVISED SCHEMATIC	8-28-73	K
D		REVISED SCHEMATIC	8-28-73	K

WIRE LIST

WIRE #	FROM (PC BOARD)	TO	COLOR
1	P1-B	P1-B	WHT/YEL
2	P1-B	P1-B	ORN
3	P1-B	P1-B	WHT/BLK
4	P1-B	P1-B	WHT/RED
5	P1-B	P1-B	WHT/GRN
6	P1-B	P1-B	WHT/BLU
7	P1-B	P1-B	WHT/WHI
8	P1-B	P1-B	WHT/BRN
9	P1-B	P1-B	WHT/GRY
10	P1-B	P1-B	WHT/WHI
11	P1-B	P1-B	WHT/WHI
12	P1-B	P1-B	WHT/WHI
13	P1-B	P1-B	WHT/WHI
14	P1-B	P1-B	WHT/WHI
15	P1-B	P1-B	WHT/WHI
16	P1-B	P1-B	WHT/WHI
17	P1-B	P1-B	WHT/WHI
18	P1-B	P1-B	WHT/WHI
19	P1-B	P1-B	WHT/WHI
20	P1-B	P1-B	WHT/WHI
21	P1-B	P1-B	WHT/WHI
22	P1-B	P1-B	WHT/WHI
23	P1-B	P1-B	WHT/WHI
24	P1-B	P1-B	WHT/WHI
25	P1-B	P1-B	WHT/WHI
26	P1-B	P1-B	WHT/WHI
27	P1-B	P1-B	WHT/WHI
28	P1-B	P1-B	WHT/WHI
29	P1-B	P1-B	WHT/WHI
30	P1-B	P1-B	WHT/WHI
31	P1-B	P1-B	WHT/WHI
32	P1-B	P1-B	WHT/WHI
33	P1-B	P1-B	WHT/WHI
34	P1-B	P1-B	WHT/WHI
35	P1-B	P1-B	WHT/WHI
36	P1-B	P1-B	WHT/WHI
37	P1-B	P1-B	WHT/WHI
38	P1-B	P1-B	WHT/WHI
39	P1-B	P1-B	WHT/WHI
40	P1-B	P1-B	WHT/WHI
41	P1-B	P1-B	WHT/WHI
42	P1-B	P1-B	WHT/WHI
43	P1-B	P1-B	WHT/WHI
44	P1-B	P1-B	WHT/WHI
45	P1-B	P1-B	WHT/WHI
46	P1-B	P1-B	WHT/WHI
47	P1-B	P1-B	WHT/WHI
48	P1-B	P1-B	WHT/WHI
49	P1-B	P1-B	WHT/WHI
50	P1-B	P1-B	WHT/WHI
51	P1-B	P1-B	WHT/WHI
52	P1-B	P1-B	WHT/WHI
53	P1-B	P1-B	WHT/WHI
54	P1-B	P1-B	WHT/WHI
55	P1-B	P1-B	WHT/WHI
56	P1-B	P1-B	WHT/WHI
57	P1-B	P1-B	WHT/WHI
58	P1-B	P1-B	WHT/WHI
59	P1-B	P1-B	WHT/WHI
60	P1-B	P1-B	WHT/WHI
61	P1-B	P1-B	WHT/WHI
62	P1-B	P1-B	WHT/WHI
63	P1-B	P1-B	WHT/WHI
64	P1-B	P1-B	WHT/WHI
65	P1-B	P1-B	WHT/WHI
66	P1-B	P1-B	WHT/WHI
67	P1-B	P1-B	WHT/WHI
68	P1-B	P1-B	WHT/WHI
69	P1-B	P1-B	WHT/WHI
70	P1-B	P1-B	WHT/WHI
71	P1-B	P1-B	WHT/WHI
72	P1-B	P1-B	WHT/WHI
73	P1-B	P1-B	WHT/WHI

IC REF TABLE

REF DESIG.	TYPE	DEVICE TYPE
U1	326	INPUT NAND GATE
U2, U3	321	QUAD 2 INPUT NAND GATE
U4	325	2-2-5-3 INPUT NAND GATE
U5, U6	355	WHA INVERTOR GATE
U7	4174	AMPLIFIER
U9	LM339	QUAD COMPARATOR

WIRING OF BOARD #2

WIRE #	CONN.	BOARD #1	BOARD #2	COLOR
74		M	L	WHT/BLK
75	H		H	GRN
76		K	K	ORN
77		M	M	BLU

REAR VIEW

WIRE #	CONN.	BOARD #1	BOARD #2	COLOR
31				WHT/WHI
32				WHT/WHI
33				WHT/WHI
34				WHT/WHI
35				WHT/WHI
36				WHT/WHI
37				WHT/WHI
38				WHT/WHI
39				WHT/WHI
40				WHT/WHI
41				WHT/WHI
42				WHT/WHI
43				WHT/WHI
44				WHT/WHI
45				WHT/WHI
46				WHT/WHI
47				WHT/WHI
48				WHT/WHI
49				WHT/WHI
50				WHT/WHI
51				WHT/WHI
52				WHT/WHI
53				WHT/WHI
54				WHT/WHI
55				WHT/WHI
56				WHT/WHI
57				WHT/WHI
58				WHT/WHI
59				WHT/WHI
60				WHT/WHI
61				WHT/WHI
62				WHT/WHI
63				WHT/WHI
64				WHT/WHI
65				WHT/WHI
66				WHT/WHI
67				WHT/WHI
68				WHT/WHI
69				WHT/WHI
70				WHT/WHI
71				WHT/WHI
72				WHT/WHI
73				WHT/WHI

7749-E-30-17-3 Q211

QTY REQD FOR Q&M NO.	ITEM NO.	NOMENCLATURE OR DESCRIPTION	DWG SIZE	PART OR IDENTIFYING NO.	SPECIFICATION	MATERIAL OR NOTE	REMARKS

LIST OF MATERIAL

UNLESS OTHERWISE SPECIFIED DIMENSIONS ARE IN INCHES
 1/16" = .0625" ANGLES & .031" = .00125" .001" = .0001" FRACTIONS & ALL MACH SURFACES
 DRILL HOLES PER ANSI B92.1
 BURRS & SHARP EDGES PER ANSI B92.1
 CHAMFER FIRST THREAD TOLERANCES PER ANSI Y14.13M COIL TOL APPLY TO STOCK SIZES

CONSORTIUM CONTROLS CORPORATION
 BETHEL, CONN. 06808, CALIF.

BISTABLE #1

MATERIAL: 9N16
 NEXT ASSY: 9N16
 FINISH: 9N16

SIZE CODE IDENT NO. D 02750
 SCALE 1/1 WT. GNS1
 SHEET 1 of 1